

STRAIGHT; 90°

Connector Group L

MIL-DTL-38999 Series III & IV

M85049	/91	-	09	T
SERIES	SLASH #	DASH #	ACCESSORY SHELL SIZE	FINISH
	91: Straight 92: 90°	-: Detented	Table A	T: Unfinishe

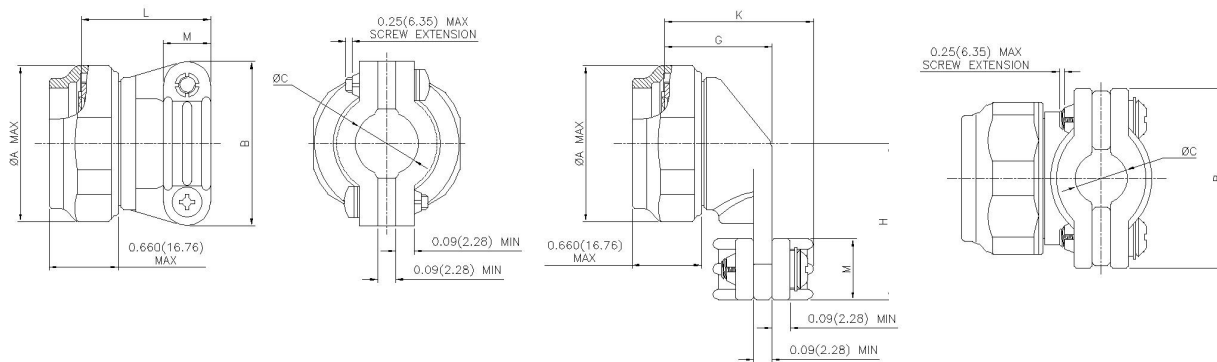


TABLE-A

Accessory Shell Size	Screw Size	A Ø Max.		B Ø Max.		C Max. ±0.031(0.78)		L Max.		H ±0.062(1.57)		K Max. ±0.03(0.76)		M		G Max.	
		inch	mm	inch	mm	inch	mm	inch	mm	inch	mm	inch	mm	inch	mm	inch	mm
09	4-40	0.858	21.79	0.980	24.89	0.219	5.56	0.840	21.34	0.875	22.23	1.060	26.92	0.375	9.53	0.769	19.53
11	4-40	0.984	24.99	1.050	26.67	0.264	6.71	0.960	24.38	0.937	23.80	1.100	27.94	0.375	9.53	0.792	20.12
13	6-32	1.157	29.39	1.200	30.48	0.344	8.74	1.100	27.94	1.031	26.19	1.180	29.97	0.406	10.31	0.847	21.51
15	6-32	1.280	32.51	1.300	33.02	0.460	11.68	1.100	27.94	1.125	28.58	1.300	33.02	0.406	10.31	0.890	22.61
17	6-32	1.406	35.71	1.420	36.07	0.545	13.84	1.230	31.24	1.312	33.32	1.380	35.05	0.406	10.31	0.941	23.90
19	6-32	1.516	38.51	1.520	38.61	0.615	15.62	1.410	35.81	1.375	34.93	1.450	36.83	0.406	10.31	0.972	24.69
21	6-32	1.642	41.71	1.640	41.66	0.698	17.73	1.510	38.35	1.500	38.10	1.540	39.12	0.406	10.31	1.009	25.63
23	6-32	1.768	44.91	1.770	44.96	0.780	19.81	1.660	42.16	1.625	41.28	1.620	41.15	0.406	10.31	1.050	26.67
25	6-32	1.890	48.01	1.890	48.01	0.850	21.59	1.760	44.70	1.750	44.45	1.690	42.93	0.406	10.31	1.085	27.56