

Straight; 90° & 45°; Self-Lock

Connector Group L

MIL-DTL-38999 Series III & IV

M85049	/88	-11	W	03
SERIES	SLASH #	ACCESSORY SHELL SIZE	FINISH	ENTRY SIZE
	88: Straight 89: 45 90: 90°	Table A	N: Electroless Nickel P: Cadmium w/ Exposed Nickel W: Cadmium Olive Drab Z: Black Zinc Nickel ZP: Zinc Nickel w/ Exposed Nickel	Table A

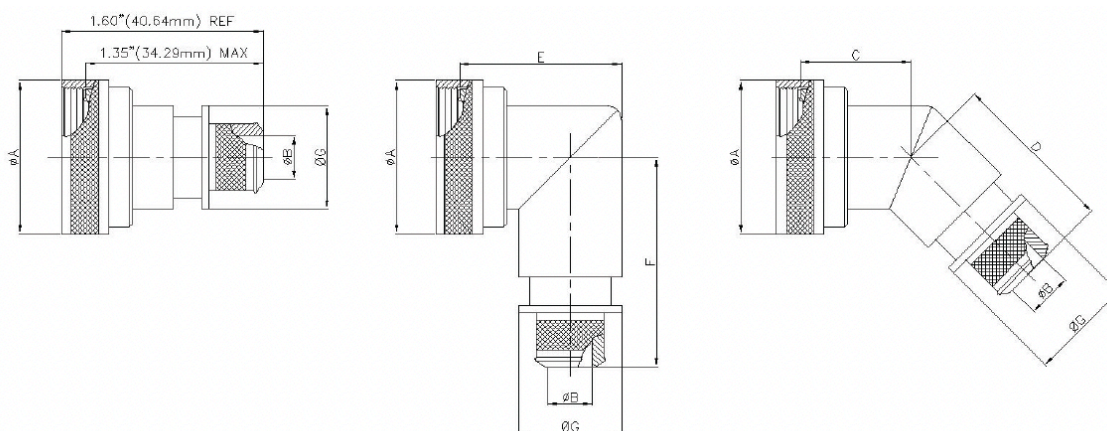


TABLE-A

Accessory Shell Size	Entry Size	Connector Shell Size	A Ø Max.		B Ø Max.		C Max.		D Max.		E Max.		F Max.		G Max.	
			inch	mm	+0.00 / -0.02	+0.00 / -0.50	inch	mm	inch	mm	inch	mm	inch	mm	inch	mm
9	03	9 / A	0.86	21.82	N/A	N/A	1.01	25.65	1.16	29.46	1.38	34.93	1.42	35.99	N/A	N/A
					0.250	6.35									0.56	14.22
11	03	11 / B	0.99	25.04	N/A	N/A	1.03	26.16	1.19	30.23	1.44	36.50	1.48	37.59	N/A	N/A
					0.312	7.92									0.63	16.00
13	02	13 / C	1.16	29.36	0.312	7.92	1.06	26.92	1.21	30.73	1.56	39.67	1.55	39.45	0.63	16.00
	0.438				11.13	0.75									19.05	
15	02	15 / D	1.28	32.54	0.438	11.13	1.08	27.43	1.24	31.50	1.69	42.85	1.61	41.00	0.75	19.05
	0.562				14.27	0.89									22.61	
17	02	17 / E	1.41	35.71	0.500	12.70	1.11	28.19	1.26	32.00	1.75	44.45	1.68	42.62	0.82	20.83
	0.625				15.88	0.95									24.13	
19	02	19 / F	1.52	38.51	0.625	15.88	1.12	28.45	1.27	32.26	1.88	47.63	1.77	45.03	0.95	24.13
	0.750				19.05	1.07									27.18	
21	02	21 / G	1.64	41.68	0.625	15.88	1.15	29.21	1.30	33.02	1.94	49.23	1.80	45.62	0.95	24.13
	0.812				20.62	1.13									28.07	
23	02	23 / H	1.77	44.86	0.688	17.48	1.17	29.72	1.33	33.78	2.06	52.37	1.86	47.22	1.02	25.99
	0.938				23.83	1.26									32.00	
25	02	25 / J	1.89	48.03	0.750	19.05	1.20	30.48	1.35	34.29	2.13	53.98	1.92	48.74	1.07	27.18
	1.000				25.40	1.32									33.53	