

## Straight

## Connector Group K

MIL-DTL-27599

M85049	61	-10	W
SERIES	SLASH #	DASH #	FINISH
	61: Straight	Table A	OMIT: Aluminum, Cadmium Olive Drab N: Aluminum, Electroless Nickel Z: Aluminum, Zinc Nickel

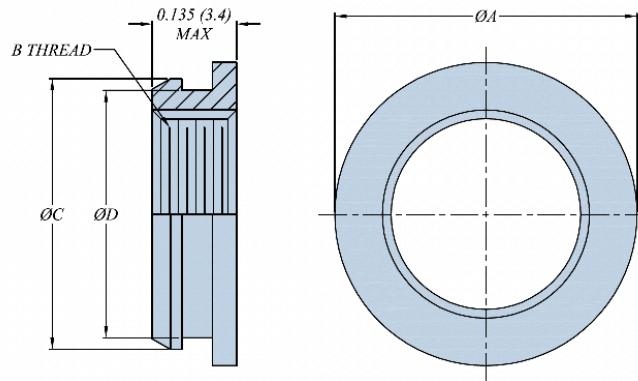


TABLE-A

DASH #	Connector Shell Size		ØA Max		B THREAD UNEF CLASS 2B	ØC +0.010 (0.25) -0.000		ØD ±0.010 (0.25)	
	Series I	Series II	inch	mm		inch	mm	inch	mm
8	8	9	0.594	15.09	0.4375-28	0.516	13.11	0.476	12.09
10	10	11	0.734	18.64	0.5625-24	0.642	16.31	0.602	15.29
12	12	13	0.844	21.44	0.6875-24	0.766	19.46	0.726	18.44
14	14	15	0.969	24.61	0.8125-20	0.892	22.66	0.852	21.64
16	16	17	1.094	27.79	0.9375-20	1.018	25.86	0.978	24.84
18	18	19	1.234	31.34	1.0625-18	1.142	29.01	1.102	27.99
20	20	21	1.344	34.14	1.1875-18	1.268	32.21	1.228	31.19
22	22	23	1.469	37.31	1.3125-18	1.392	35.36	1.352	34.34
24	24	25	1.594	40.49	1.4375-18	1.518	38.56	1.478	37.54