

90°; SELF-LOCK/SPIN

Connector Group J

MIL-DTL-26482 Series II; MIL-DTL-83723 Series III; AS50151; AS81703

M85049	/51	S	10	W
SERIES	SLASH #	COUPLING	DASH #	FINISH
	51: 90°	S: Self Lock N: Non-detented Self-Locking -1: Spin	Table A	A: Hard Anodized Black N: Electroless Nickel W: Cadmium Olive Drab S: Stainless Steel (Material), Passivate

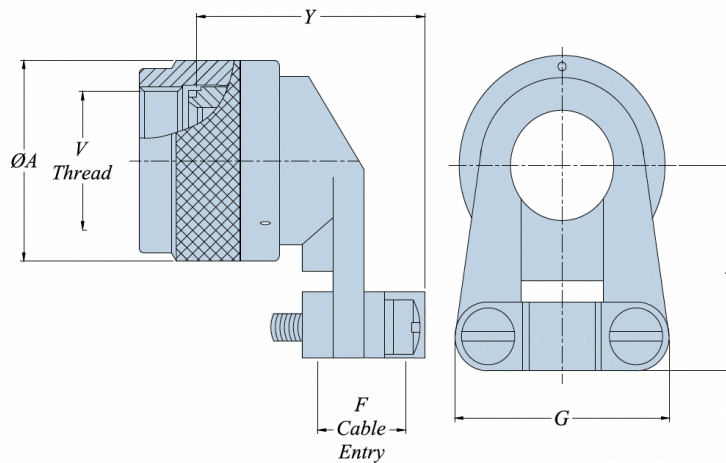


TABLE-A

DASH #	V R.H. THREAD CLASS 2B	SELF - LOCKING				NON - SELF - LOCKING				CABLE ENTRY				Z MAX ±0.062(1.57)		G MAX	
		ØAMAX		Y MAX		ØAMAX		Y MAX		MAX		MIN		inch	mm	inch	mm
		inch	mm	inch	mm	inch	mm	inch	mm	inch	mm	inch	mm				
3	0.5625-24 UNEF	-	-	-	-	0.699	17.75	0.780	19.81	0.204	5.18	0.125	3.18	0.777	19.74	0.782	19.86
8	0.500-20 UNF	0.885	22.48	0.930	23.62	0.617	15.67	0.780	19.81	0.204	5.18	0.125	3.18	0.746	18.95	0.782	19.86
10	0.625-24 UNEF	1.010	25.65	1.020	25.91	0.734	18.64	0.860	21.84	0.286	7.26	0.187	4.75	0.805	20.45	0.862	21.89
12	0.750-20 UNEF	1.135	28.83	1.210	30.73	0.858	21.79	1.050	26.67	0.416	10.57	0.291	7.39	0.867	22.02	1.003	25.48
14	0.870-20 UNEF	1.260	32.00	1.270	32.26	0.984	24.99	1.110	28.19	0.476	12.09	0.351	8.92	0.930	23.62	1.061	26.95
16	1.000-20 UNEF	1.385	35.18	1.420	36.07	1.112	28.24	1.260	32.00	0.626	15.90	0.501	12.73	0.944	23.98	1.334	33.88
18	1.0625-18 UNEF	1.510	38.35	1.530	38.86	1.218	30.94	1.370	34.80	0.706	17.93	0.518	13.16	1.171	29.74	1.466	37.24
20	1.1875-18 UNEF	1.635	41.53	1.650	41.91	1.345	34.16	1.500	38.10	0.831	21.11	0.581	14.76	1.234	31.34	1.572	39.93
22	1.312-18 UNEF	1.760	44.70	1.780	45.21	1.468	37.29	1.620	41.15	0.956	24.28	0.644	16.36	1.296	32.92	1.688	42.88
24	1.4375-18 UNEF	1.885	47.88	1.900	48.26	1.593	40.46	1.750	44.45	1.081	27.46	0.706	17.93	1.358	34.49	1.790	45.47
28	1.750-18 UNS	2.135	54.23	2.200	55.88	1.969	50.01	1.890	48.01	1.187	30.15	0.750	19.05	1.572	39.93	2.035	51.69
32	2.000-18 UNS	2.395	60.83	2.270	57.66	2.219	56.36	1.950	49.53	1.250	31.75	0.875	22.23	1.797	45.64	2.386	60.60
36	2.250-16 UN	2.635	66.93	2.390	60.71	2.469	62.71	2.070	52.58	1.375	34.93	0.938	23.83	1.922	48.82	2.496	63.40
40	2.500-16 UN	2.885	73.28	2.520	64.01	2.719	69.06	2.200	55.88	1.500	38.10	0.938	23.83	2.047	51.99	2.566	65.18
44	2.750-16UN	3.135	79.63	2.770	70.36	2.969	75.41	2.450	62.23	1.750	44.45	1.188	30.18	2.296	58.32	2.860	72.64
48	3.00-16 UN	3.385	85.98	2.890	73.41	3.219	81.76	2.570	65.28	1.875	47.63	1.312	33.32	2.421	61.49	3.344	84.94
61*	1.500-18 UNEF	-	-	-	-	1.653	41.99	1.750	44.45	1.081	27.46	0.706	17.93	1.388	35.26	1.775	45.09