

STRAIGHT; 90°; SELF-LOCK/SPIN

Connector Group L

MIL-DTL-38999 Series III & IV

M85049	/38	-	11	W
SERIES	SLASH #	COUPLING	ACCESSORY SHELL SIZE	MATERIAL/FINISH
	38: Straight 39: 90°	S: Self Lock -: Spin	Table A	A: Aluminum Alloy/Hard Anodized Black N: Aluminum Alloy/Electroless Nickel W: Aluminum Alloy/Cadmium Olive Drab S: Stainless Steel/Passivate

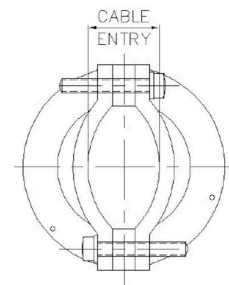
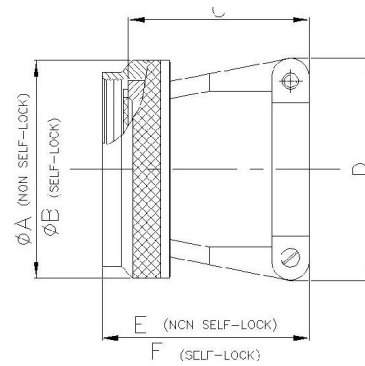
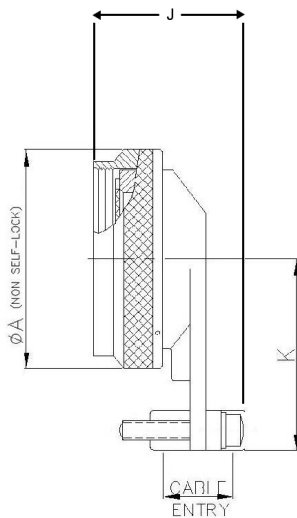


TABLE A

Accessory Shell Size	Shell Size Code	A Ø Max.		B Max.		C Max. (/38)		D Max.		E Max.		F Max.		J Max.		K Max.		Cable Entry			
																		Min.		Max.	
		inch	mm	inch	mm	inch	mm	inch	mm	inch	mm	inch	mm	inch	mm	inch	mm	inch	mm	inch	mm
9	9 / A	0.75	19.05	0.86	21.82	0.91	23.11	0.85	21.59	1.10	27.94	1.21	30.73	1.31	33.27	1.00	25.40	0.10	2.49	0.23	5.94
11	11 / B	0.85	21.59	0.98	24.99	0.91	23.11	0.90	22.86	1.10	27.94	1.21	30.73	1.31	33.27	1.10	27.94	0.15	3.89	0.23	5.94
13	13 / C	1.00	25.40	1.16	29.36	1.01	25.65	1.10	27.94	1.20	30.48	1.31	33.27	1.51	38.35	1.10	27.94	0.19	4.83	0.33	8.33
15	15 / D	1.10	27.94	1.28	32.54	1.06	26.92	1.15	29.21	1.25	31.75	1.35	34.29	1.55	39.37	1.25	31.75	0.26	6.60	0.46	11.61
17	17 / E	1.25	31.75	1.41	35.71	1.16	29.46	1.30	33.02	1.36	34.44	1.45	36.83	1.71	43.43	1.30	33.02	0.28	7.19	0.61	15.60
19	19 / F	1.40	35.56	1.52	38.51	1.41	35.81	1.50	38.10	1.60	40.64	1.71	43.43	1.81	45.97	1.35	34.29	0.33	8.26	0.63	16.10
21	21 / G	1.50	38.10	1.64	41.68	1.51	38.35	1.60	40.64	1.70	43.21	1.81	45.97	1.95	49.53	1.60	40.64	0.34	8.71	0.70	17.73
23	23 / H	1.65	41.91	1.77	44.86	1.66	42.16	1.70	43.18	1.85	46.99	1.95	49.53	2.10	53.34	1.75	44.45	0.38	9.68	0.82	20.90
25	25 / J	1.75	44.45	1.89	48.03	1.76	44.70	1.80	45.72	1.95	49.56	2.05	52.07	2.21	56.13	1.85	46.99	0.42	10.62	0.85	21.67