

HEXAGON PANEL NUT

BACKSHELLS

MIL-DTL-38999 Series III & IV

Connector Group L

D38999	/28	-11	F
SERIES	SLASH #	COUPLING	FINISH
		S: Self Lock -: Spin	F: Electroless Nickel W: Cadmium Olive Drab

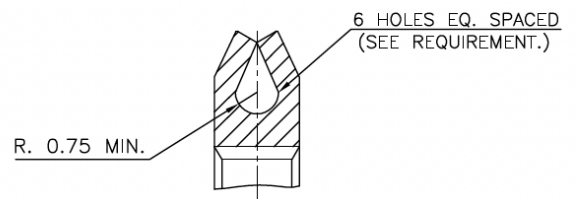
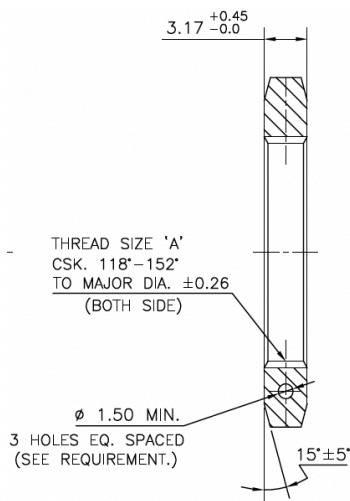
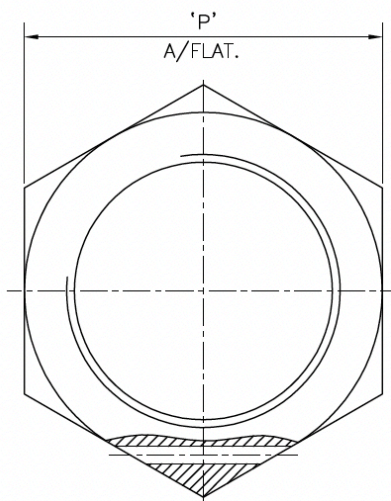


TABLE A

Accessory Shell Size	Shell Size Code		A Thread	Modify		P Hex.	
	Series III	Series IV	inch	Min.	Max.	Min.	Max.
1	09	-	M17 X 1-6H	16.04	16.15	21.82	24.0
2	11	-	M20 X 1-6H	19.07	19.15	24.99	27.0
3	13	11	M25 X 1-6H	-	-	29.77	32.0
4	15	13	M28 X 1-6H	-	-	32.91	36.0
5	-	15	M31 X 1-6H	-	-	39.26	41.0
6	17	-	M32 X 1-6H	-	-	36.12	37.0
7	-	17	M34 X 1-6H	-	-	39.25	41.0
8	19	-	M35 X 1-6H	-	-	39.25	41.0
9	21	19	M38 X 1-6H	-	-	42.47	46.0
10	23	21	M41 X 1-6H	-	-	45.61	50.0
11	25	23	M44 X 1-6H	-	-	49.25	51.23
12	-	25	M47 X 1-6H	-	-	53.54	55.0