

# INDIVIDUAL SHIELD TERMINATION RING

# BACKSHELLS

MIL-DTL-38999 Series III & IV

Connector Group L

M85049	148	12
SERIES	SLASH #	DASH #
	148: Straight	2 3 4 5 6 7 8 9 10 11

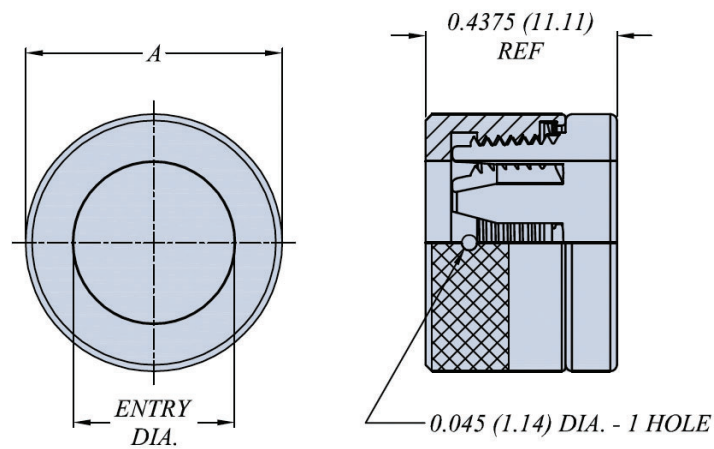


TABLE-A

DASH #	Entry Diameter		ØA Max		Number of Slots
	inch	mm	inch	mm	
2	0.250	6.35	0.545	13.84	3
3	0.375	9.53	0.670	17.02	4
4	0.500	12.70	0.795	20.19	6
5	0.625	15.88	0.920	23.37	8
6	0.750	19.05	1.045	26.54	10
7	0.875	22.23	1.170	29.72	10
8	1.000	25.40	1.295	32.89	12
9	1.125	28.58	1.420	36.07	15
10	1.250	31.75	1.687	42.85	15
11	1.375	34.93	1.812	46.02	15