

μCom & TVμCom

10Gb Ethernet Connector



μCom-Series is a new range of connectors designed to address the latest trends of the industry : miniaturization and high speed, with the highest resistance for use in the harshest environments. TVμCom combines μCom-10G+ speed with 38999 Series III size 11 shells robustness.

Main Features

DATA TRANSMISSION

- Exceeds 10Gb/s Ethernet following IEEE 802.3an-2006 : 10GBase-T
- Cat.6A connector according to TIA568C.2 and ISO/IEC11801 standard

MAIN CHARACTERISTICS

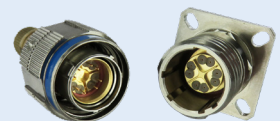
- 4 pairs totally insulated throughout the connector for minimum cross-talk between the four pairs
- Patented special interfacial shapes for minimum perturbation at the interface of each pair
- Thread and push pull coupling mechanisms with 2000 mating cycles & high vibration resistance
- Machined gold plated crimp and solder contacts design for performances according to the inercontact of M39029/77-429 #16 M39029/76-425#16 38999 contact
- Contacts are crimped with standard crimping tool M22520/2-01 + Amphenol μCom positioner
- Solder contact: max AWG24
- Crimp contact: AWG 24 to 28
- Temperature range: - 55°C / + 125°C
- IP68 sealing mated and unmated for PCB receptacles
- 1500 Vrms Dielectric Withstanding Voltage

μCom:

- Miniature : 15 mm (.59") max external diameter
- Receptacle and in-line receptacle compatible with both thread and push pull plugs
- Environmental testing based on MIL-DTL-38999 series III military specifications (Thread version).
- Environmental testing based on MIL-DTL-26482 military specifications (Push-pull version).
- Miniature: 15 mm (.59") max external diameter.
- Receptacle and in-line receptacle compatible with both Thread and Push-pull plugs.
- Machined brass shells
- Salt spray:
 - 500 h with Unplated brass shell ✓
 - 500 h with Olive Drab Cadmium plating
 - 500 h with Black Nickel plating ✓

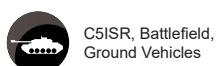
TVμCom:

- Based on MIL-DTL-38999 series III – Shell size 11
- Aluminium shells
- Salt spray:
 - 48 h with Nickel plating ✓
 - 500 h with Olive Drab Cadmium plating
 - 500 h with Black Zinc Nickel plating ✓
 - 1000 h with Marine Bronze shell ✓
 - 500 h with Passivated Stainless steel shell ✓

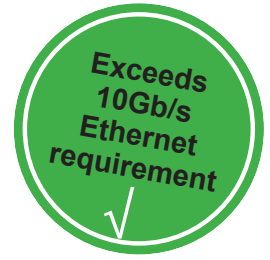


Markets & Applications

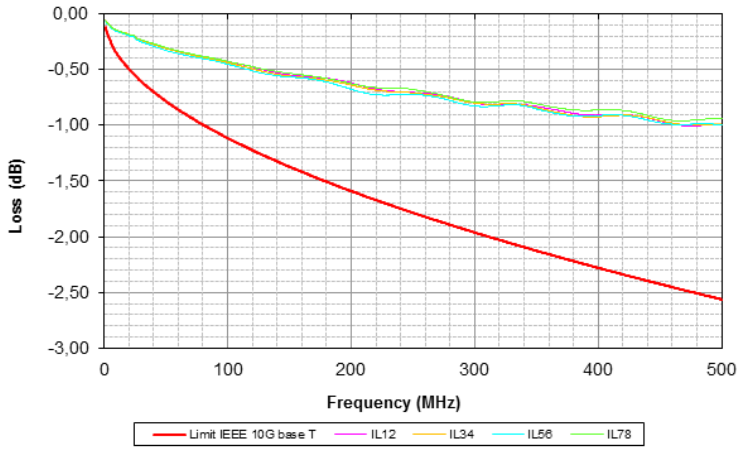
✓ : RoHS compliant



Transmission Data



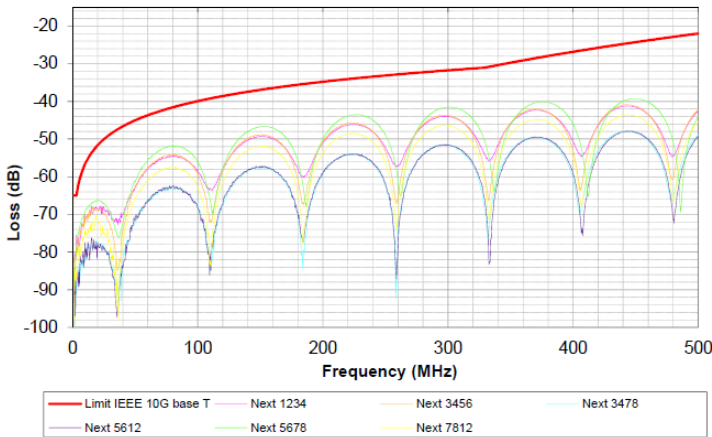
Insertion Loss (IL) :



← Amphenol performance

← IEEE 802.3an Standard requirement

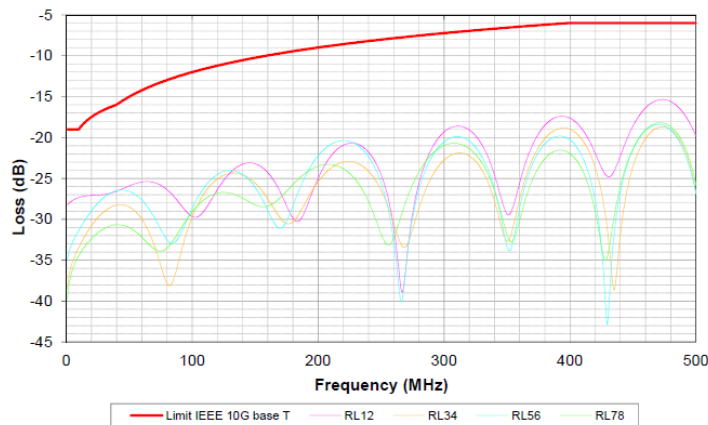
Near End crosstalk (NEXT) :



← IEEE 802.3an Standard requirement

← Amphenol performance

Return Loss (RL) :



← IEEE 802.3an Standard requirement

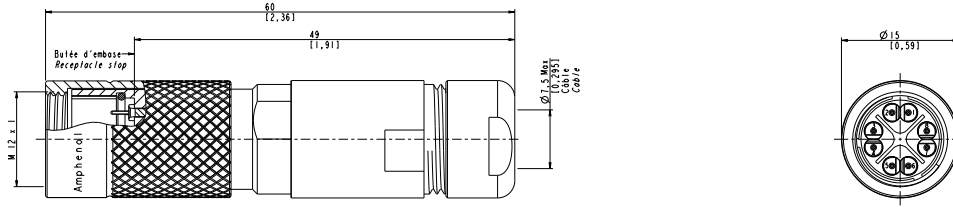
← Amphenol performance

Overall dimension

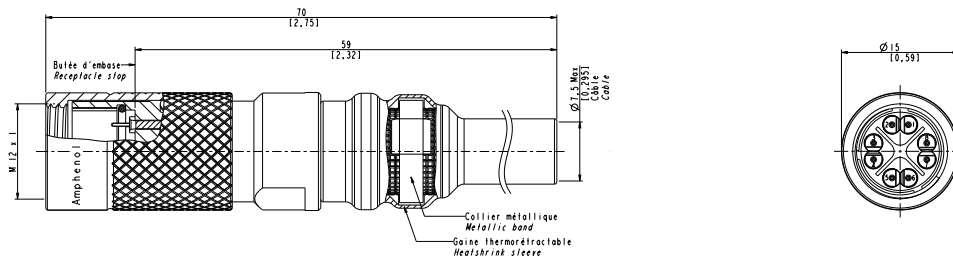


Plug - Thread version

Part number: **UCOM-10G+ P T X X G A**

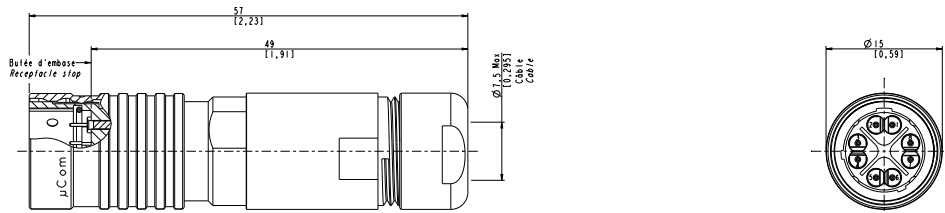


Part number: **UCOM-10G+ P T X X B**

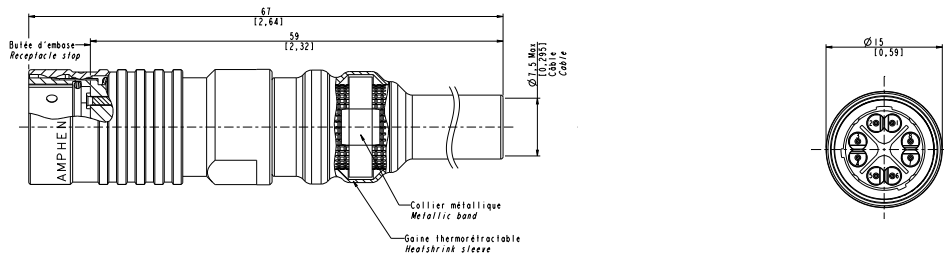


Plug - Push-pull version

Part number: **UCOM-10G+ P P X X G A**



Part number: **UCOM-10G+ P P X X B**

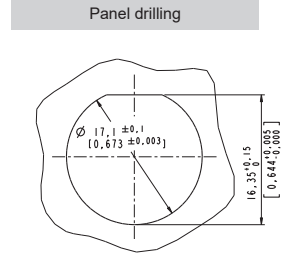
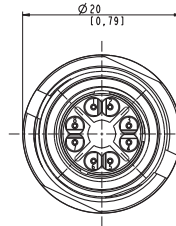
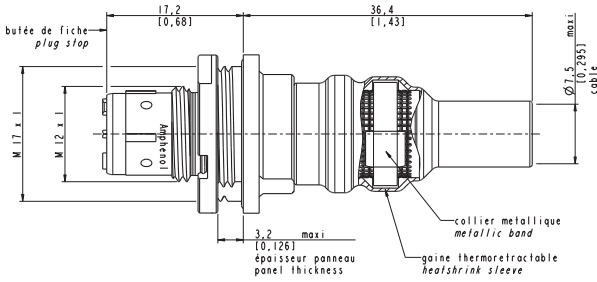




Overall dimension

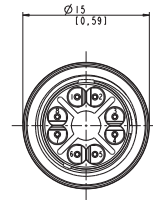
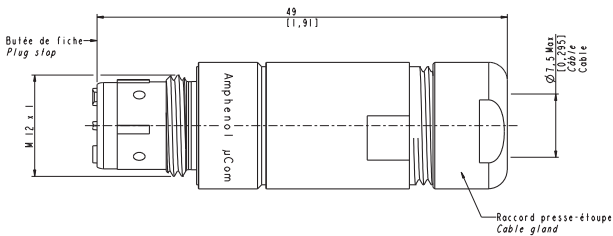
Receptacle - Panel mount version

Part number: **UCOM-10G+ R X X**

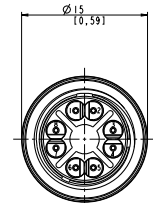
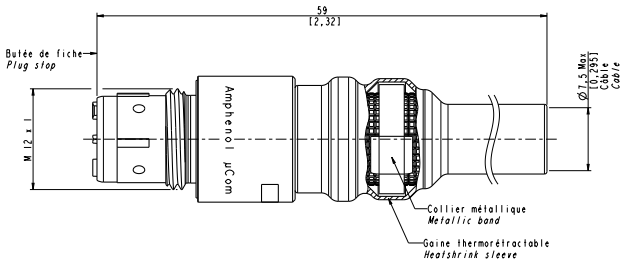


Receptacle - In line version

Part number: **UCOM-10G+ L S X G A**

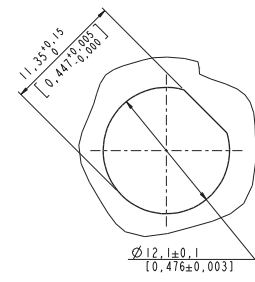
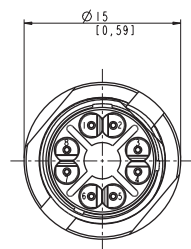
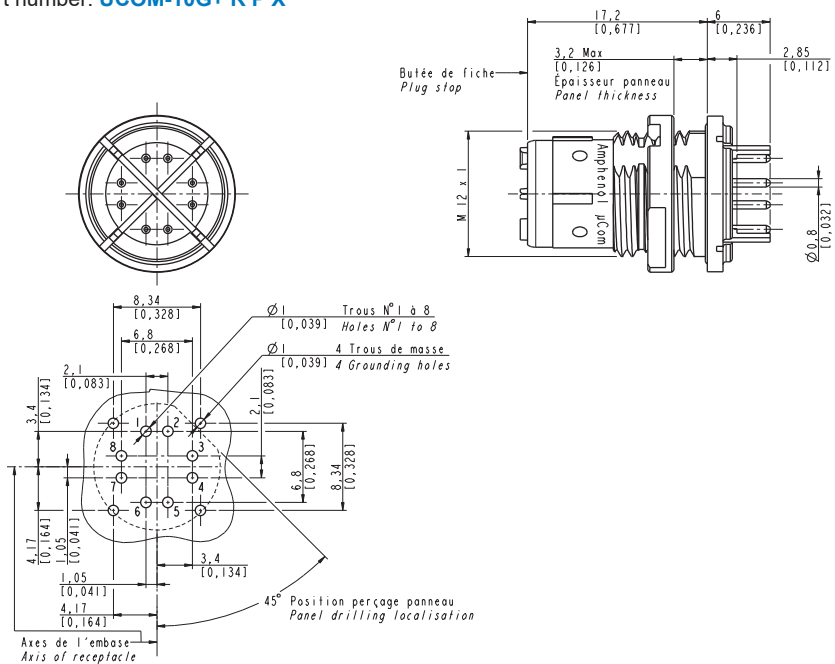


Part number: **UCOM-10G+ L S X B**



Receptacle - PCB version

Part number: **UCOM-10G+ R P X**

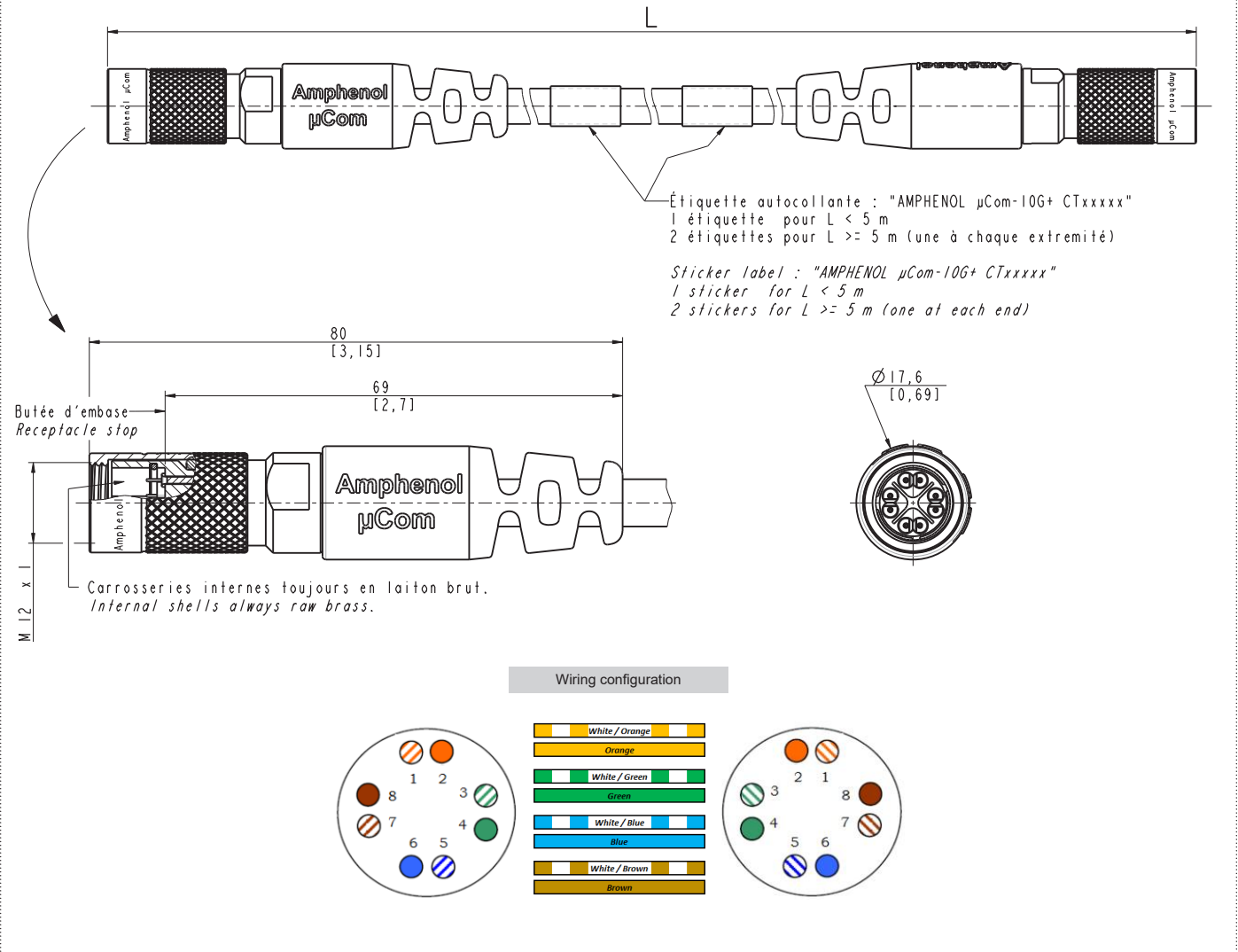


Overall dimension



Cordset - Tread plug to thread plug

Part number: **UCOM-10G+ C T X X XXX**

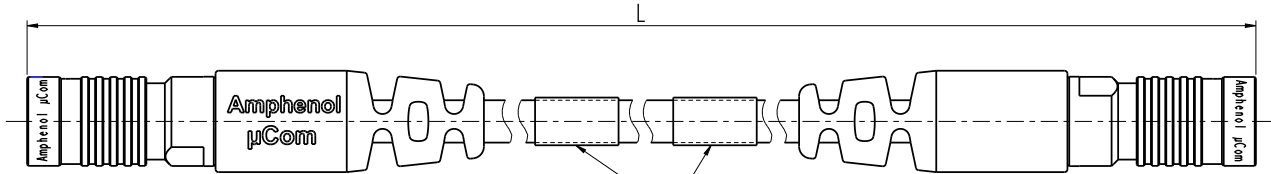


Overall dimension

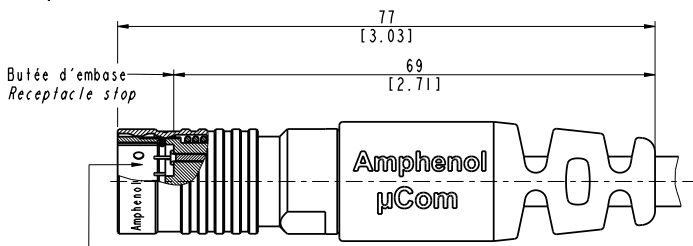


Cordset - Push-pull plug to push-pull plug

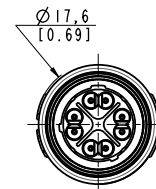
Part number: **UCOM-10G+ C P X X XXX**



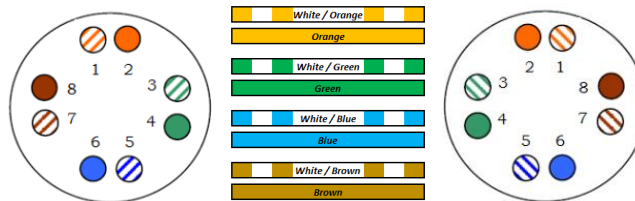
Étiquette autocollante : "AMPHENOL μCom-10G+ CPxxxxx"
 1 étiquette pour L < 5 m
 2 étiquettes pour L ≥ 5 m (une à chaque extrémité)
 Sticker label : "AMPHENOL μCom-10G+ CPxxxxx"
 1 sticker for L < 5 m
 2 stickers for L ≥ 5 m (one at each end)



Carrosseries internes toujours en laiton brut.
 Internal shells always raw brass.



Wiring configuration

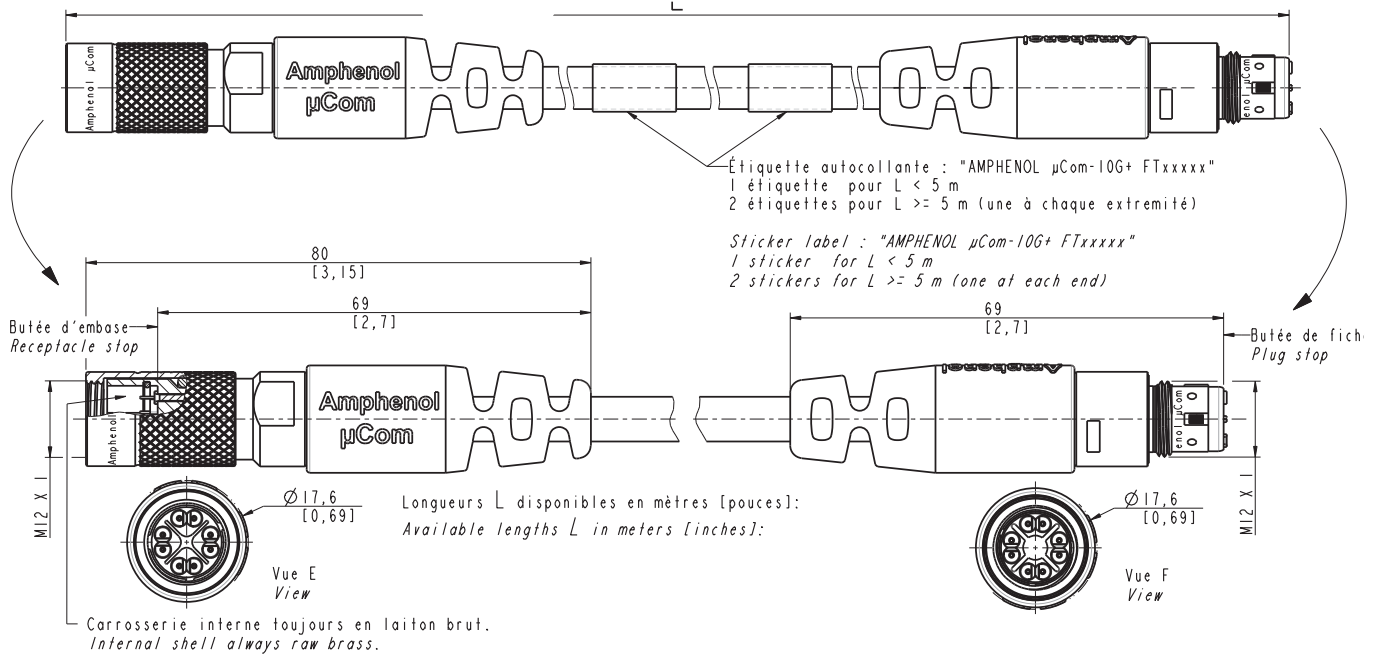


Overall dimension

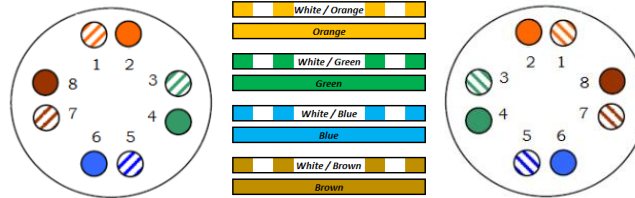


Cordset - Tread plug to in line receptacle

Part number: **UCOM-10G+ F T X X XXX**



Wiring configuration

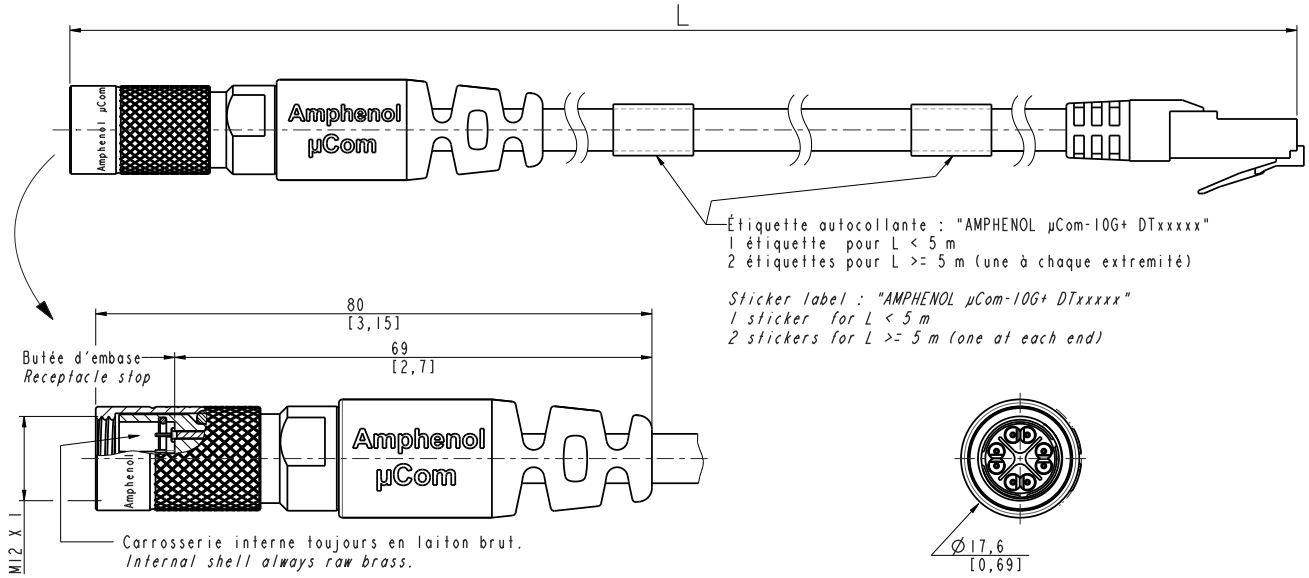


Overall dimension

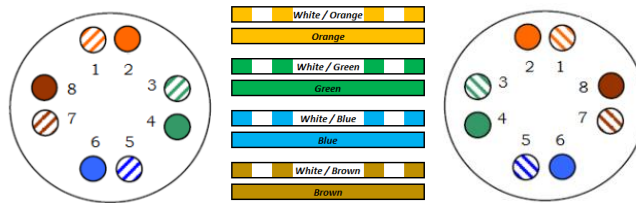


Cordset - Thread plug to RJ45 plug

Part number: **UCOM-10G+ D T X X XXX**



Wiring configuration

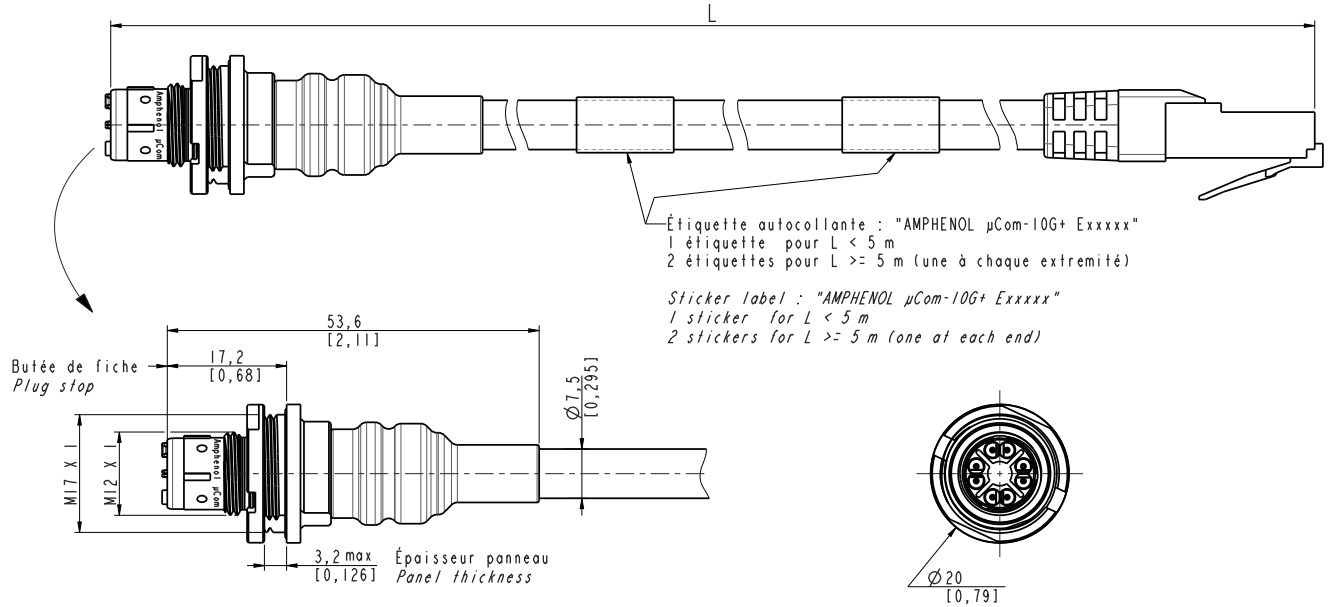


Overall dimension

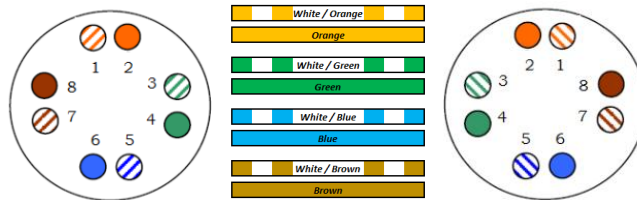


Cordset - Panel mount receptacle to RJ45 plug

Part number: **UCOM-10G+ E X X XXX**



Wiring configuration

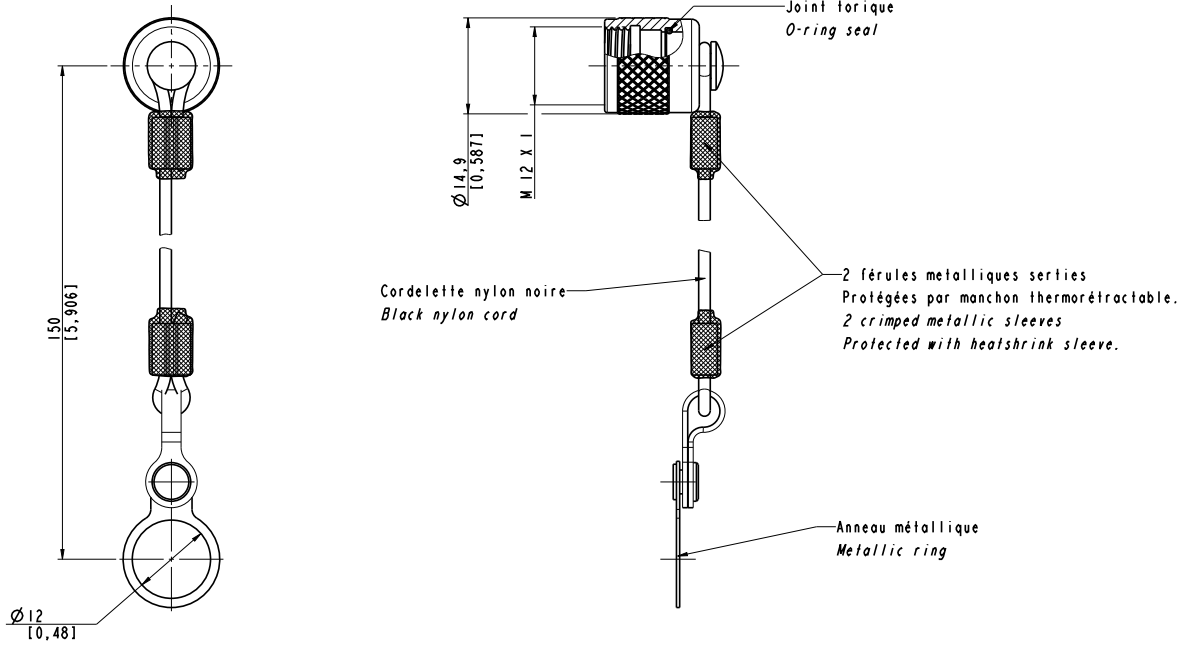


Overall dimension

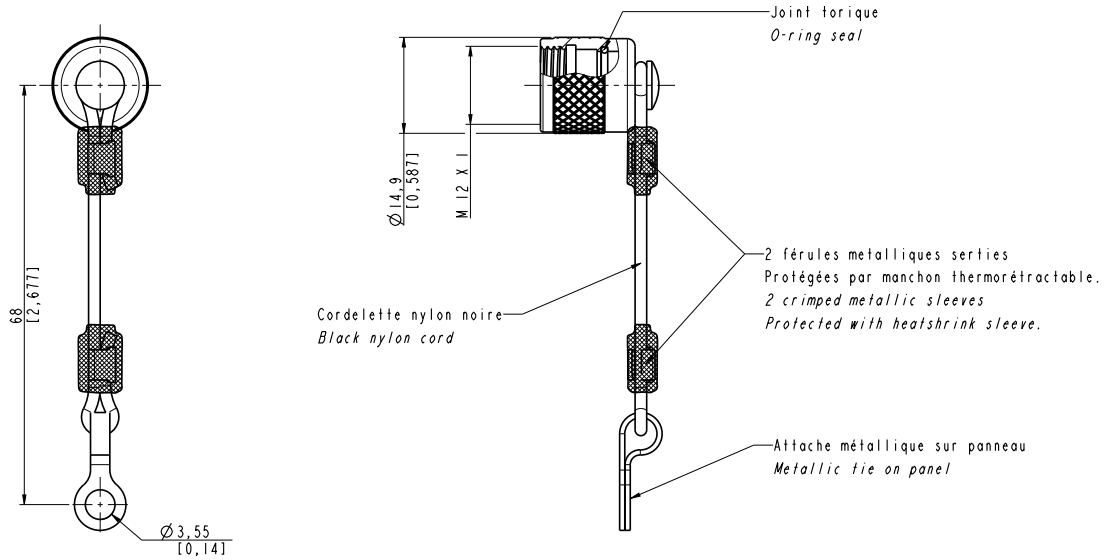


Metallic protective cap - Receptacle

Part number: **31139 X**



Part number: **31037 X**

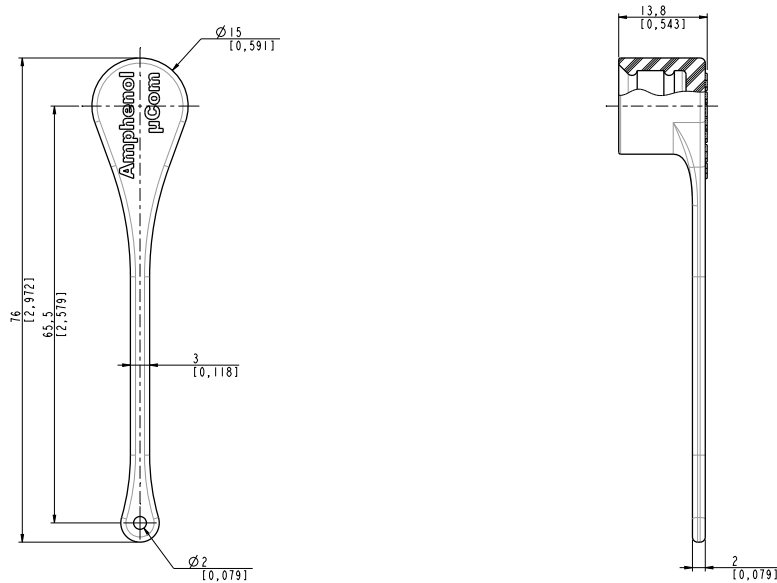


Overall dimension



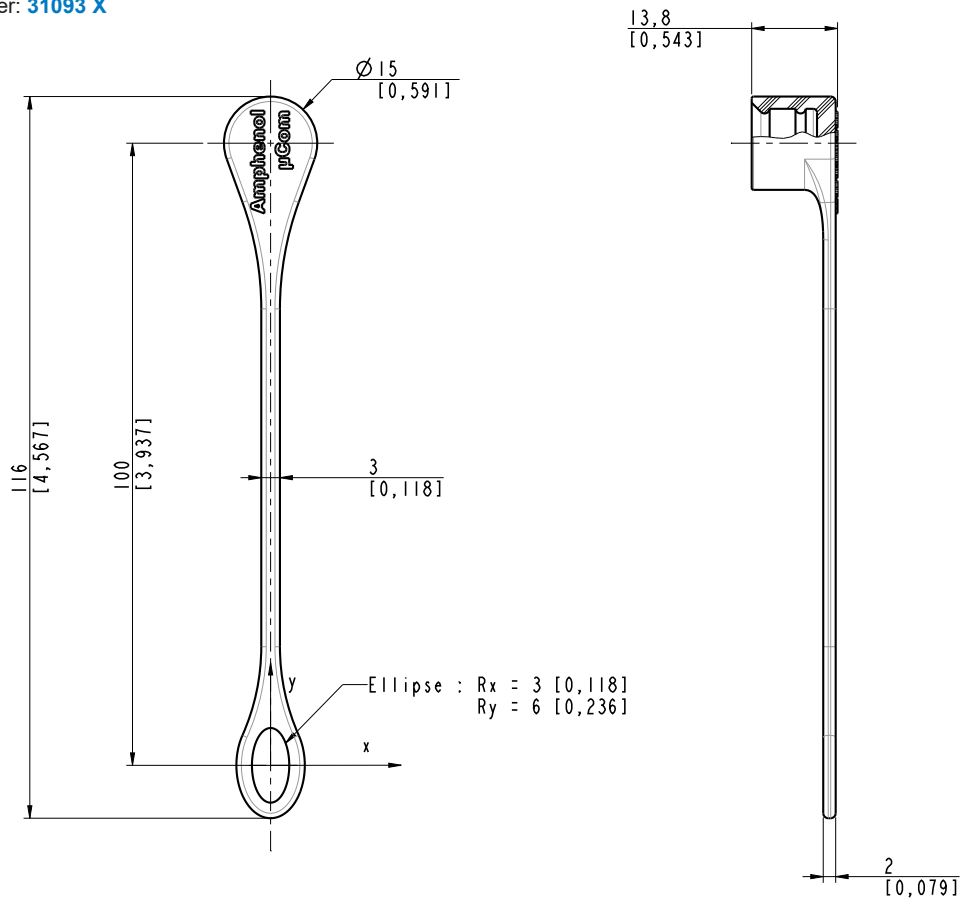
Neoprene protective cap - for receptacle

Part number: **31091 X**



Neoprene protective cap - for in line receptacle

Part number: **31093 X**

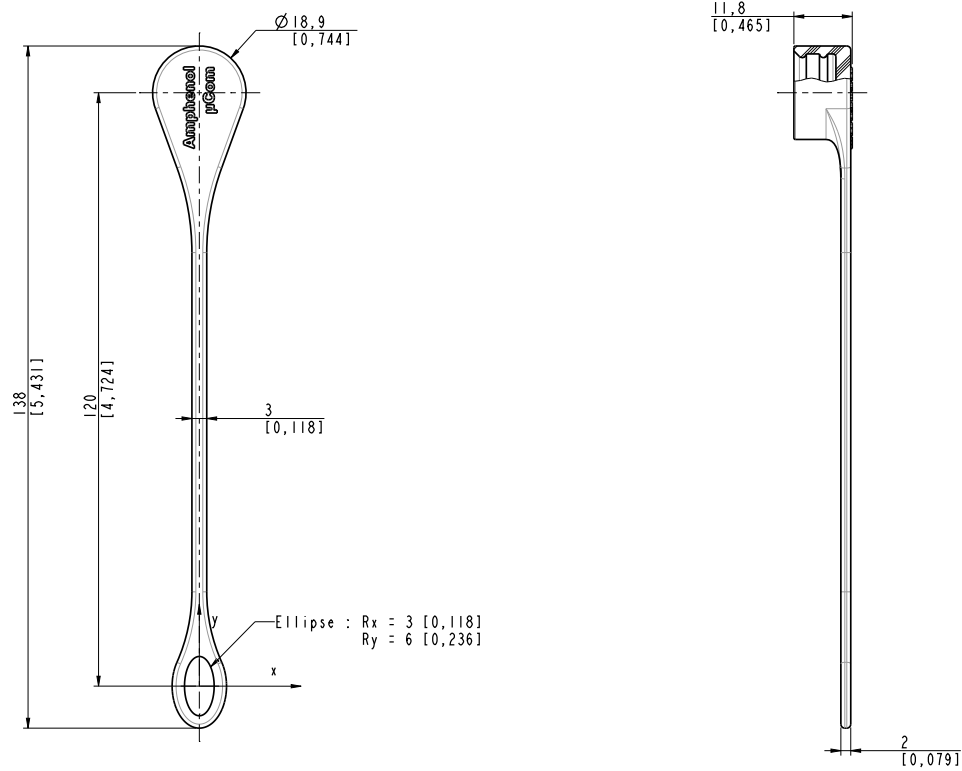


Overall dimension



Neoprene protective cap - for plug

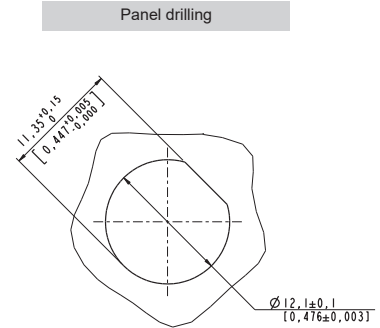
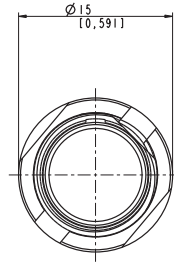
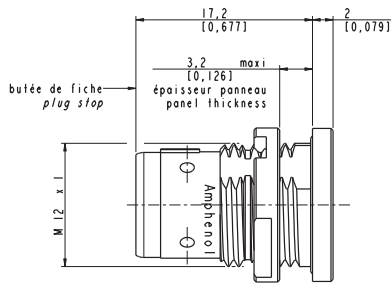
Part number: 31092 X



Overall dimension

Dummy receptacle

Part number: **31131 X**



Contacts

Part number: **31073**



Part number: **31074**



Tools

Part number: **31055**

Nut clamping tool for PCB receptacle only



Part number: **31056**

Insertion tool for crimp contacts



Part number: **31074**

Contact positioner for M22520/2-01 crimping tool



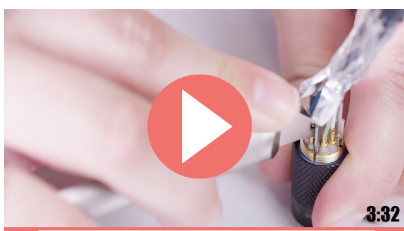
Part number: **31132**

Brazing tool for in line receptacle and receptacle

Part number: **31133**

Brazing tool for plug

Assembly Crimp Version



Scan & discover !



Assembly Solder Version



Scan & discover !

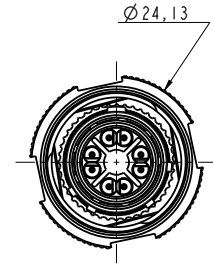
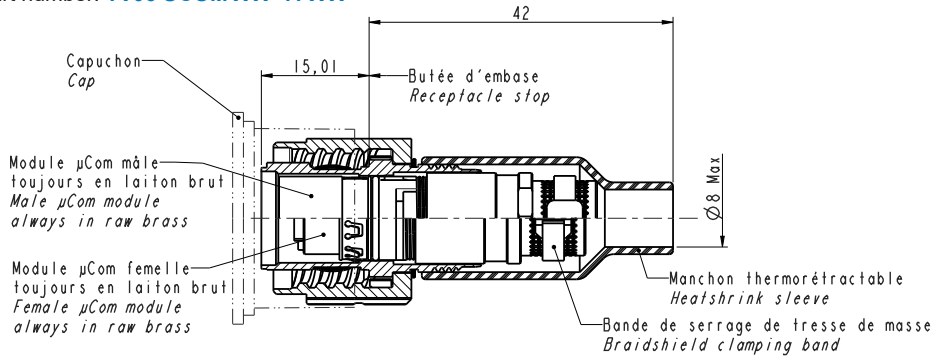




Overall dimension

Plug

Part number: **TV06 UCOM X X -11 X X**

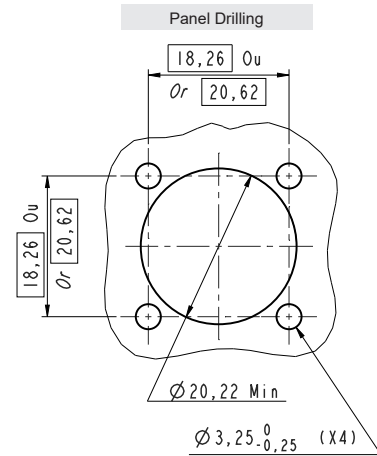
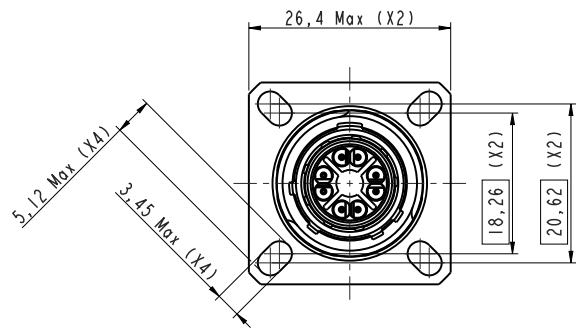
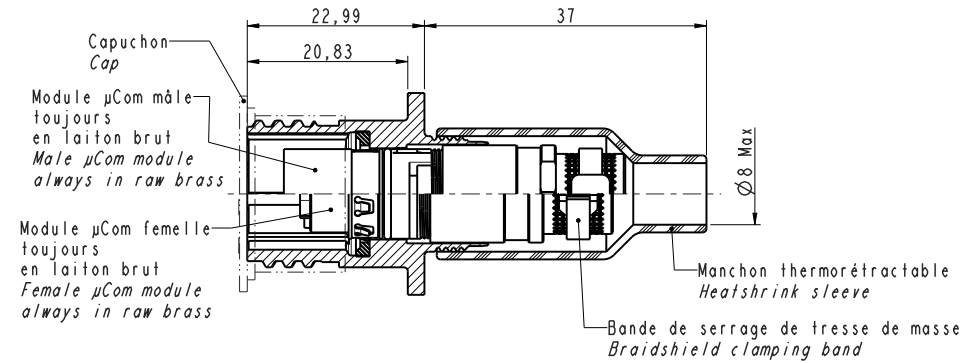




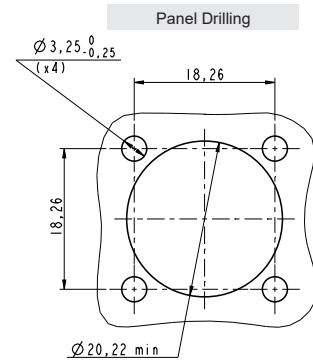
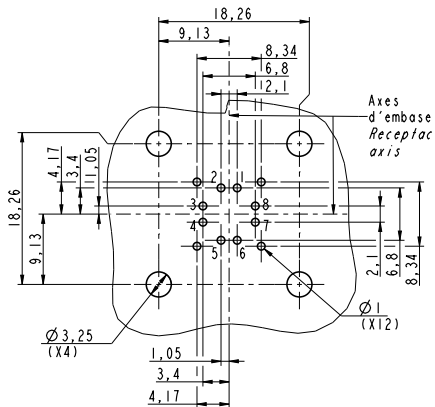
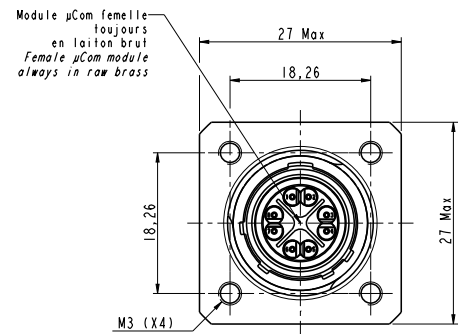
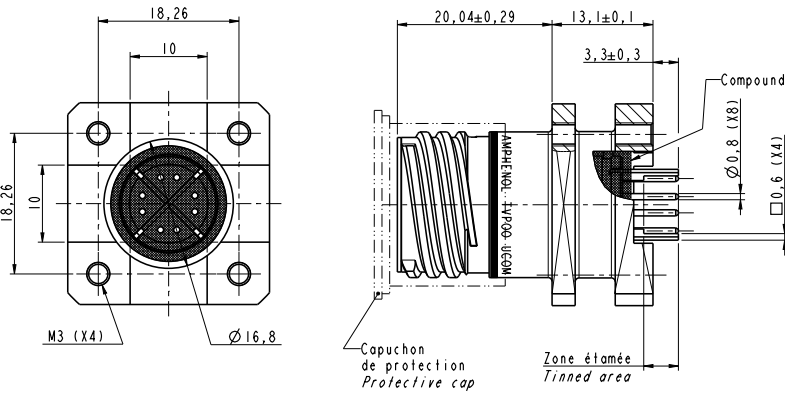
Overall dimension

Receptacle - Square flange receptacle

Part number: **TVP00 UCOM X X -11 X X**



Part number: **TVP00 UCOM CI X X -11 X X F459**

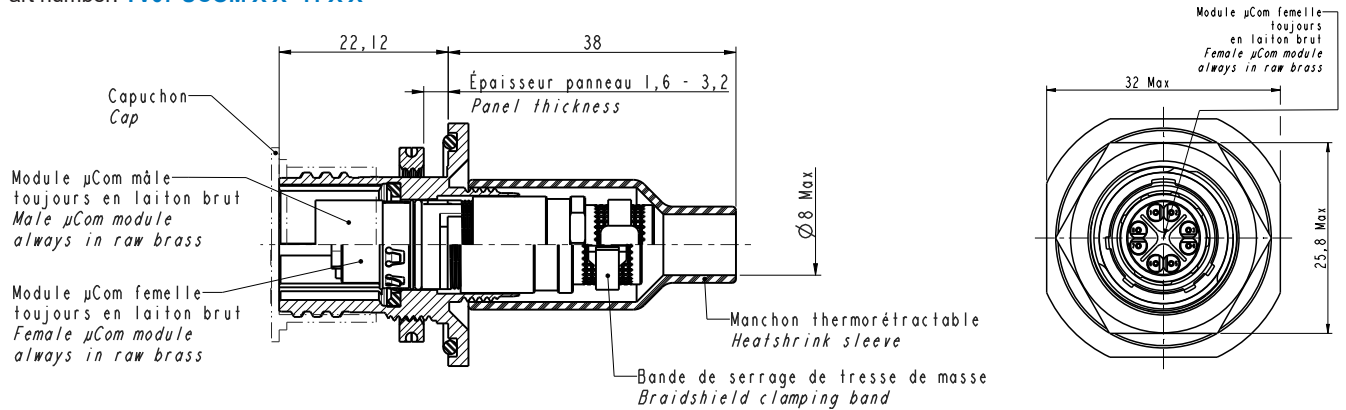




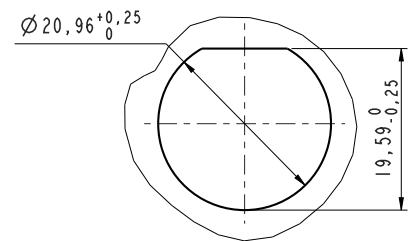
Overall dimension

Receptacle - Jam nut receptacle

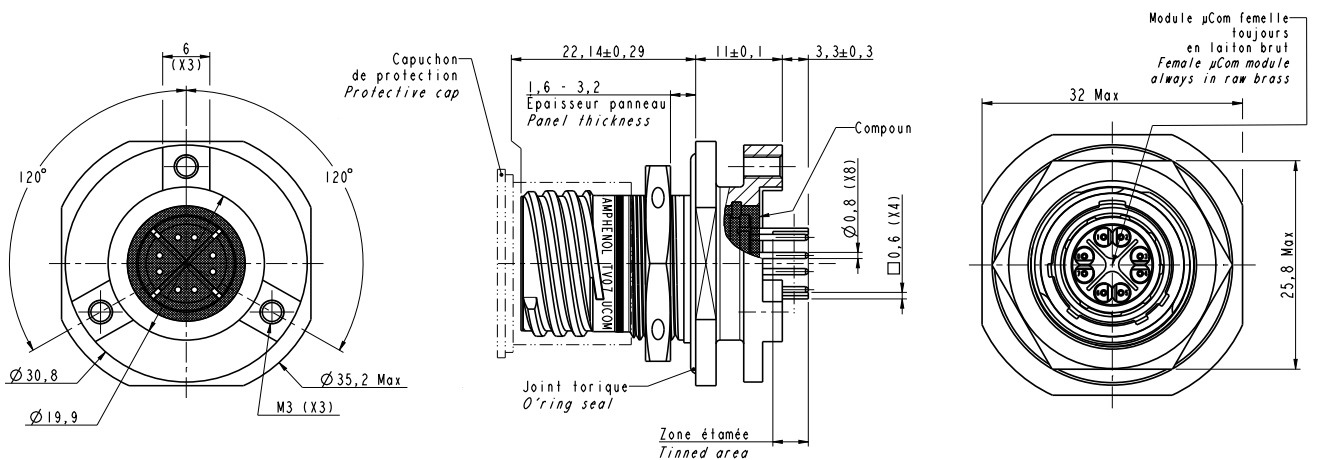
Part number: **TV07 UCOM X X -11 X X**



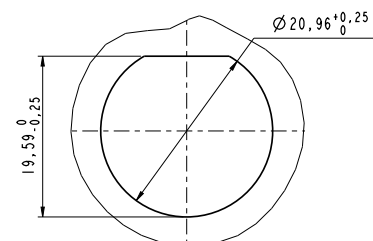
Panel Drilling



Part number: **TV07 UCOM CI X X -11 X X F459**



Panel Drilling

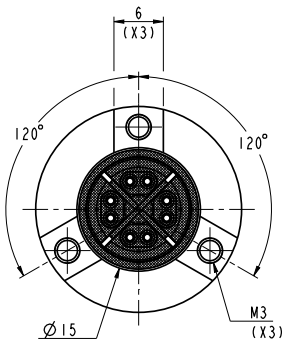




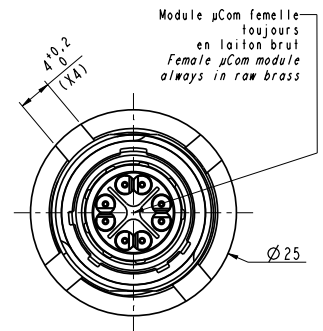
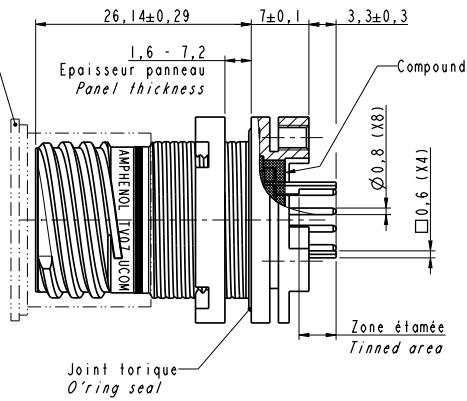
Overall dimension

Receptacle - Reduced flange jam nut receptacle

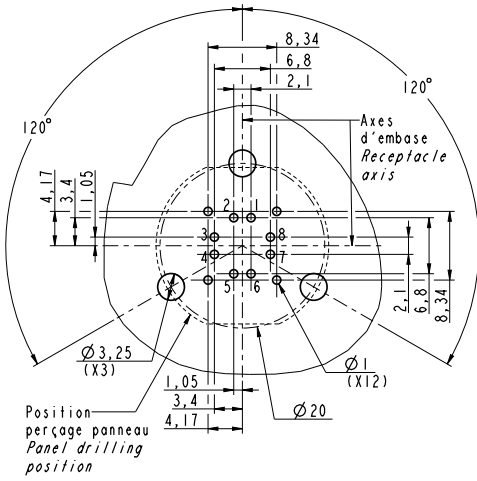
Part number: **TVP00 UCOM X X -11 X X**



Capuchon de protection
Protective cap

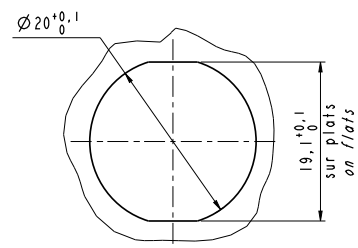


Module μ Com femelle
toujours
en laiton brut
Female μ Com module
always in raw brass



Position perçage panneau
Panel drilling position

Panel Drilling

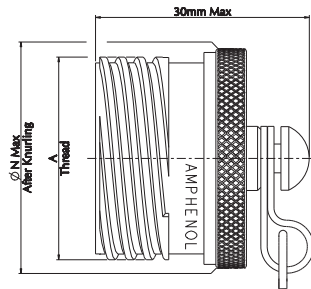




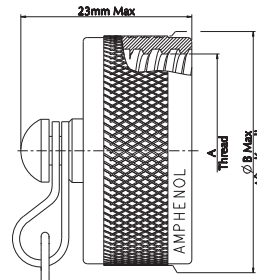
Overall dimension

Protective caps

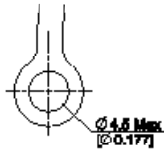
Part number: **BEF X X 11**



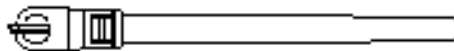
Part number: **BEC X X 11 XXXX**
BER X X 11 XXXX



Small ring for square flange receptacle



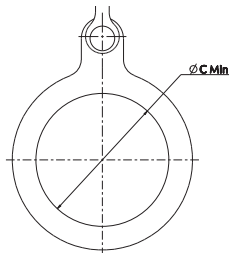
Tie wrap for plug cap



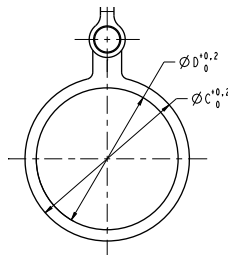
Metallic chain



Large ring for jam nut receptacle



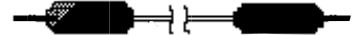
Ring for reduced flange jam nut receptacle



Stainless steel rope



Nylon rope



A thread 0.1P-0.3L-TS Class 2A (External) Class 2B (Internal) (inch)	ØB Max (After Knurling)	ØC Min	ØN Max	Ø B +0,5 0	Ø C +0,2 0	Ø D +0,2 0
.7500	22,60	21,97	20,50	22,60	25,5	20,5

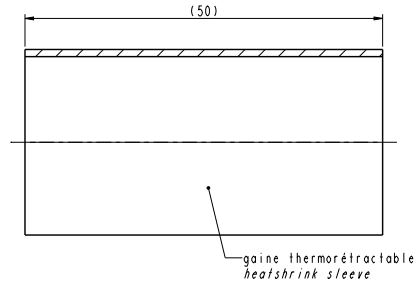
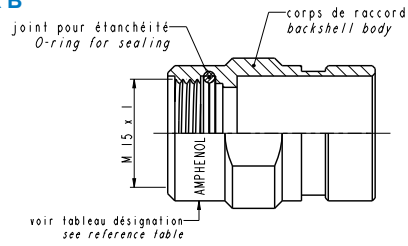
Cap type	Metallic chain length (mm)	Nylon cord length (mm)	Stainless steel rope length (mm)
BEF X X 11 XXXX BER X X 11 XXXX BEF X X 11		127 (+13,-7)	
		160±5	



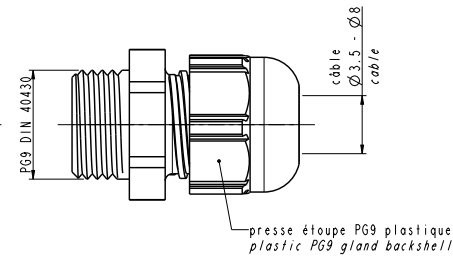
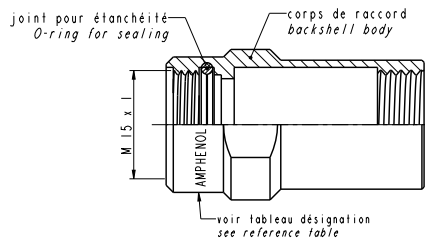
Overall dimension

Special backshell

Part number: **TVUCOM X B**



Part number: **TVUCOM X G**



Contacts

Part number: **31073**



Part number: **31074**



Tools

Part number: **31055**

Nut clamping tool for PCB receptacle only



Part number: **31056**

Insertion tool for crimp contacts



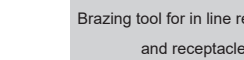
Part number: **31074**

Contact positioner for M22520/2-01 crimping tool



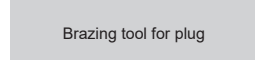
Part number: **31132**

Brazing tool for in line receptacle and receptacle

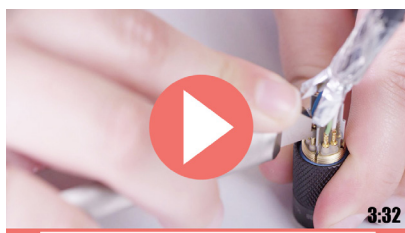


Part number: **31133**

Brazing tool for plug



Assembly Crimp Version



Scan & discover !



Assembly Solder Version



Scan & discover !





Connectors

1.	2.	3.	4.	5.
Series	Shell type	Contact termination	Shells material & finish	Backshell type (avoid for plug and PCB receptacle)
UCOM - 10G+	PT	C	B	GA

1. Series

UCOM - 10G+	UCOM - 10G+
-------------	-------------

2. Shell type

PT	Plug	Tread mating
PP		Push-pull mating
R	Receptacle	
L	In line receptacle	

3. Contact termination

C	Crimp
S	Solder
P	PCB (only for receptacle)

4. Shell material and finish

B	Brass shell	Black nickel ✓
G		Olive drab cadmium
U		Unplated ✓

5. Backshell type (avoid for plug and PCB receptacle)

GA	Gland for cable diameter of 7,5mm max
B	Band

Examples :

Part number	Description
UCOM-10G+PTCBGA	UCOM thread mating plug, crimp contacts, black nickel finish over brass shell, gland backshell for cable diameter of 7,5mm max
UCOM-RPG	UCOM PCB receptacle, olive drab cadmium finish over brass shell
UCOM-RSUB	UCOM receptacle, solder contacts, unplated brass shell, band backshell

✓: RoHS compliant



Cordsets

1.	2.	3.	4.	5.	6.
Series	Cordset type	Mating (for plug only)	Contact termination	Shell material and finish	Lenght
UCOM - 10G+	C	T	C	B	002

1. Series

UCOM - 10G+	UCOM - 10G+
-------------	-------------

2. Cordset type

	First end	Second end
C	Plug	Plug
D	Plug	RJ45 Cat6A plug
E	Panel mount receptacle	RJ45 Cat6A plug
F	Plug	In line receptacle
G	Plug	
H	Panel mount receptacle	Open end
J	In line receptacle	

3. Mating (for plug only)

T	Tread mating
P	Push-pull mating

4. Contact termination

C	Crimp
S	Solder

5. Shell material and finish

B		Black nickel ✓
G	Brass shell	Olive drab cadmium
U		Unplated ✓

6. Lenght

002	0.2 m
005	0.5 m
010	1.00 m
015	1.50 m
020	2 m
050	5.00 m
100	10.00 m

Examples :

Part number	Description
UCOM-10G+CTCB002	UCOM cordset, thread mating plug to thread mating plug, black nickel plating over brass shell, lenght of 0,20m.
UCOM-FPCG050	UCOM cordset, push pull plug to in line receptacle, olive drab cadmium plating over brass shell, lenght of 5,00m.
UCOM-HSU100	UCOM cordset, solder in line receptacle to open end, unplated brass shell, lenght of 10,00m.

✓ : RoHS compliant



Protective cap and accessories

1.

2.

Series	Shells material & finish (avoid for neoprene cap)
UCOM - 10G+	B

1. Series		
31139	Metallic protective cap for receptacle	
31037		
31091		For receptacle
31093	Neoprene protective cap	For in line receptacle
31092		For plug
31131	Dummy receptacle	

2. Shell material and finish (avoid for neoprene cap)		
B		Black nickel ✓
G	Brass shell	Olive drab cadmium
U		Unplated ✓

Examples :

Part number	Description
31139B	Black nickel metallic protective cap for receptacle
31093	Neoprene protective cap for in line receptacle Part number: 31074
31131U	Unplated dummy receptacle

✓ : RoHS compliant



Connectors

1.	2.	3.	4.	5.	6.	7.
Shell type	Contacts termination	Shell material & finish	Shell size	Type of contact	Coding	Deviation (Female μCom module only)
TV06UCOM	C	F	11	P		

1. Series	
TV06UCOM	Plug
TVP00UCOM	Square flange receptacle
TV07UCOM	Jam nut receptacle

2. Contact termination	
C	Crimp
S	Solder
CI	PCB Contacts (for receptacle only)

3. Shell material and finish		
F		Nickel plating ✓
W	Aluminum shell	Olive drab cadmium plating
ZN		Black zinc nickel plating ✓
B	Marine bronze shell ✓	

4. Shell size	
11	Mandatory

5. Type of contact	
P	Male μCom module
S	Female μCom module

6. Coding	
	N coding
A	A coding
B	B coding
C	C coding
D	D coding
E	E coding

7. Deviation (Female μCom module only)	
	No deviation
F459	Stand off
F059	Stand off Reduced Flange (for jam nut receptacle only)

Examples :

Part number	Description
TV06UCOMCF11P	TVμCom plug, crimp contacts, nickel plating, pin contact
TVP00UCOMCIZN11SF459	TVμCom square flange receptacle, PCB version, black zinc nickel plating, female contact and stand-off deviation
TV07UCOMSB11S	TVμCom jam nut receptacle, solder contacts, marine bronze shell, female contact

✓: RoHS compliant



Special backshell

1.

2.

3.

Series	Shell material and finish	Backshell type
TVUCOM	F	B

1. Protective cap type

TVUCOM	Backshell for TVμCom
--------	----------------------

3. Backshell type

B	Backshell with banding platform
G	Backshell with gland

2. Shell material and finish

F	Aluminum shell	Nickel plating ✓
W		Olive drab cadmium plating
ZN		Black zinc nickel plating ✓

Examples :

Part number	Description
TVUCOMFB	TVμCom backshell for banding platform and nickel plating
TVUCOMWB	TVμCom backshell for banding platform and olive drab cadmium plating
TVUCOMZNG	TVμCom backshell with gland and black zinc nickel plating

✓: RoHS compliant



Standard metallic cap

1.	2.	3.	4.	5.	6.
Protective cap type	Wire type	Connector type	Shell material and finish	Shell size	Deviation
BF		TV	F	11	

1. Protective cap type

BF	Protective cap for plug
BEC	Protective cap for square flange receptacle
BER	Protective cap for jam nut receptacle

2. Wire type

	Metallic chain
N	Nylon cord
R	Jacketed stainless steel rope
RO	Jacketed stainless steel rope with washer end (only for plug)

3. Connector type

TV	TV shell
----	----------

4. Shell material and finish

F		Nickel plating ✓
W	Aluminum shell	Olive drab cadmium plating
ZN		Black zinc nickel plating ✓
B	Marine bronze shell ✓	

5. Shell size

11	Shell size 11
----	---------------

6. Deviation

	No deviation
F057	Protective cap for Reduced flange jam nut receptacle

Examples :

Part number	Description
BFTVF11	Plug protective cap, metallic chain and nickel plating
BECNTVZN11	Square flange receptacle protective cap, nylon cord and black zinc nickel plating
BERTVB11F057	Reduced flange jam nut receptacle protective cap, metallic chain and marine bronze shell

✓: RoHS compliant

