

## Straight, 90°, 45°

## Connector Group L

D38999 Series III & IV

BS035L	11	T
SERIES	SHELL SIZE	FINISH
	9	No Finish
	11	
	13	
	15	
	17	
	19	
	21	
23		
25		

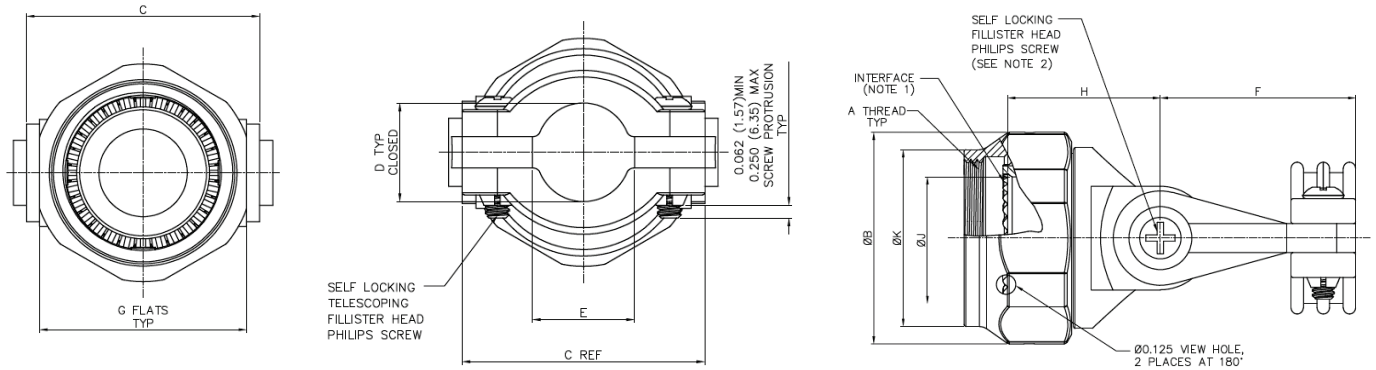


TABLE-A

SHELL SIZE	A COUPLING RING THREAD ISO METRIC	ØB MAX		C MAX		D Ref. CLOSED		E MIN		F Max		G DISTANCE ACROSS FLATS				H		J MIN		ØK MAX	
		inch	mm	inch	mm	inch	mm	inch	mm	inch	mm	MIN		MAX		± 0.06		inch	mm	inch	mm
												inch	mm	inch	mm	inch	mm	inch	mm	inch	mm
9	M12X1-6H	0.812	20.62	0.98	24.89	0.265	6.73	0.22	5.59	1.08	27.43	0.736	18.69	0.750	19.05	0.88	22.35	0.264	6.71	0.600	15.24
11	M15X1-6H	0.938	23.83	1.05	26.67	0.310	7.87	0.27	6.86	1.09	27.69	0.860	21.84	0.875	22.23	0.91	23.11	0.390	9.91	0.717	18.21
13	M18X1-6H	1.125	28.58	1.20	30.48	0.390	9.91	0.35	8.89	1.20	30.48	0.980	24.89	1.000	25.4	0.95	24.13	0.504	12.80	0.834	21.18
15	M22X1-6H	1.250	31.75	1.30	33.02	0.506	12.85	0.47	11.94	1.24	31.50	1.100	27.94	1.125	28.58	1.01	25.65	0.630	16.00	0.990	25.15
17	M25X1-6H	1.375	34.93	1.44	36.58	0.591	15.01	0.55	13.97	1.32	33.53	1.224	31.09	1.250	31.75	1.05	26.67	0.756	19.20	1.107	28.12
19	M28X1-6H	1.500	38.10	1.56	39.62	0.661	16.79	0.62	15.75	1.39	35.31	1.348	34.24	1.375	34.93	1.08	27.43	0.843	21.41	1.224	31.09
21	M31X1-6H	1.625	41.28	1.69	42.93	0.744	18.90	0.70	17.78	1.49	37.85	1.469	37.31	1.500	38.1	1.12	28.45	0.969	24.61	1.341	34.06
23	M34X1-6H	1.750	44.45	1.77	44.96	0.826	20.98	0.78	19.81	1.55	39.37	1.581	40.16	1.625	41.28	1.16	29.46	1.091	27.71	1.453	36.91
25	M37X1-6H	1.875	47.63	1.89	48.01	0.896	22.76	0.85	21.59	1.61	40.89	1.690	42.93	1.750	44.45	1.20	30.48	1.217	30.91	1.570	39.88