

## Straight; 38999 Series I & Series II

## Connector Group K

M85049	30	-10	W
SERIES	SLASH #	Dash #	FINISH
	30: Straight	Table A	W: Aluminum, Cadmium Olive Drab Z: Aluminum, Zinc Nickel N: Aluminum, Electroless Nickel

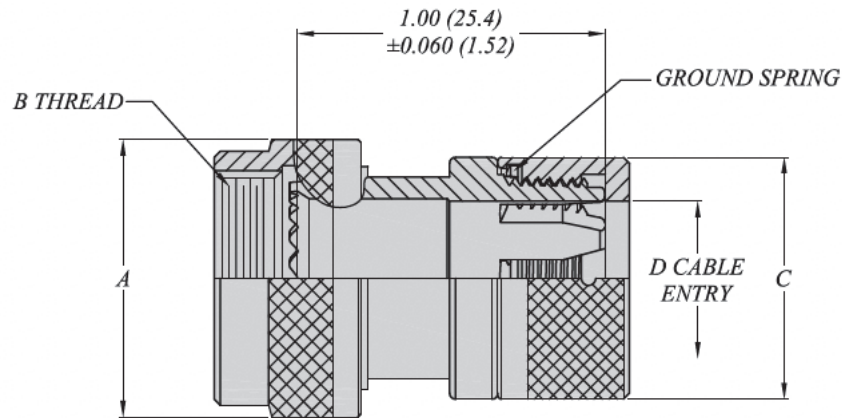


TABLE-A

DASH #	SHEL SIZE		B THREAD UNEFC CLASS 2A	ØA MAX		Ø C Max.		D Min. Cable Entry	
	Series II	Series I		inch	mm	inch	mm	inch	mm
08	8	9	0.4375-28	0.75	19.05	0.55	13.97	0.250	6.35
10	10	11	0.5625-24	0.85	21.59	0.67	17.02	0.375	9.53
12	12	13	0.6875-24	1.00	25.40	0.80	20.32	0.500	12.70
14	14	15	0.8125-20	1.10	27.94	0.92	23.37	0.625	15.88
16	16	17	0.9375-20	1.25	31.75	1.05	26.67	0.750	19.05
18	18	19	1.0625-18	1.40	35.56	1.17	29.72	0.844	21.44
20	20	21	1.1875-18	1.50	38.10	1.30	33.02	0.970	24.64
22	22	23	1.3125-18	1.65	41.91	1.42	36.07	1.094	27.79
24	24	25	1.4375-18	1.75	44.45	1.67	42.42	1.219	30.96