

M85049	149	-17	W
SERIES	SLASH #	SHELL SIZE	FINISH
	149: Straight	11 13 15 17 19 21 23 25	W: Aluminum, Cadmium Olive Drab Z: Aluminum, Zinc Nickel N: Aluminum, Electroless Nickel

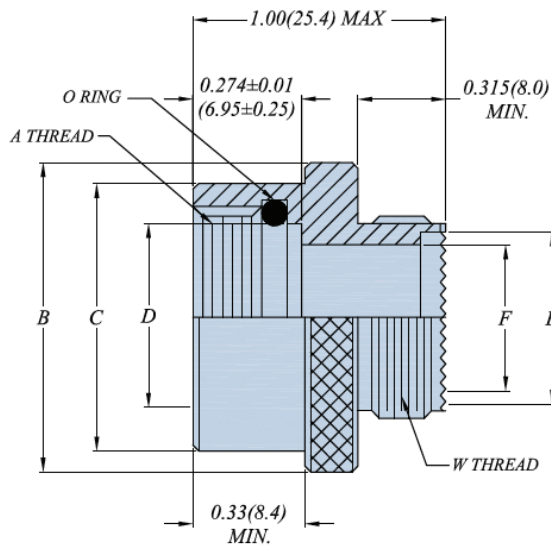


TABLE-A

ACCESSORY SHELL SIZE	SHELL SIZE	A Thread	B Max		C Max		D Min		E Max		F Min		W Thread
			inch	mm	inch	mm	inch	mm	inch	mm	inch	mm	
11	B	M15 X 1.0 6H	1.046	26.57	0.765	19.43	0.539	13.69	0.475	12.07	0.432	10.97	M15 X 1.0 6g
13	C	M18 X 1.0 6H	1.169	29.69	0.888	22.56	0.658	16.71	0.589	14.96	0.546	13.87	M18 X 1.0 6g
15	D	M22 X 1.0 6H	1.287	32.69	1.006	25.55	0.815	20.70	0.714	18.14	0.671	17.04	M22 X 1.0 6g
17	E	M25 X 1.0 6H	1.423	36.14	1.142	29.01	0.933	23.70	0.839	21.31	0.796	20.22	M25 X 1.0 6g
19	F	M28 X 1.0 6H	1.537	39.04	1.256	31.90	1.051	26.70	0.945	24.00	0.902	22.91	M28 X 1.0 6g
21	G	M31 X 1.0 6H	1.663	42.24	1.382	35.10	1.169	29.69	1.070	27.18	1.027	26.09	M31 X 1.0 6g
23	H	M34 X 1.0 6H	1.787	45.39	1.506	38.25	1.287	32.69	1.194	30.33	1.152	29.26	M34 X 1.0 6g
25	J	M37 X 1.0 6H	1.913	48.59	1.632	41.45	1.405	35.69	1.320	33.53	1.277	32.44	M37 X 1.0 6g