

# STRAIN RELIEF CLAMP EXTENDED LENGTH

## STRAIGHT

D38999 Series III & IV

M85049	/147	S	11	W
SERIES	SLASH #	COUPLING	ACCESSORY SHELL SIZE	FINISH
	147: Straight		Table A	A: Hard Anodized Black N: Electroless Nickel W: Cadmium Olive Drab Z: Black Zinc Nickel

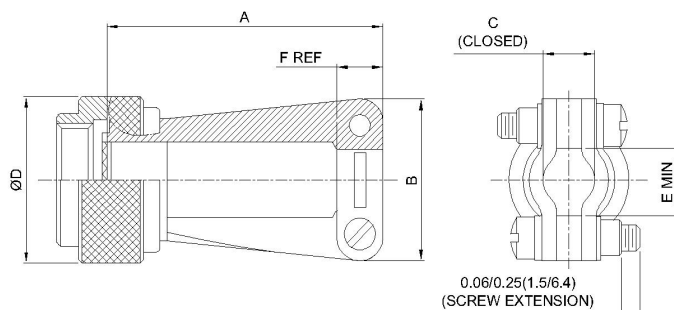


TABLE A

Accessory Shell Size	Connector Shell Size Code	A		B Max.		C Max.		D Max.		E Min.		F Ref.		Screw Size
		inch	mm	inch	mm	±.031	±.787	inch	mm	inch	mm	inch	mm	
						inch	mm							
09	A	1.35/1.41	34.3/35.8	0.92	23.4	0.219	5.56	0.858	21.79	0.22	5.6	0.25	6.4	4-40
11	B	1.47/1.53	37.3/38.9	0.97	24.6	0.264	6.71	0.984	24.99	0.27	6.9	0.25	6.4	4-40
13	C	1.60/1.66	40.6/42.2	1.19	30.2	0.344	8.74	1.157	29.39	0.35	8.9	0.25	6.4	4-40
15	D	1.60/1.66	40.6/42.2	1.31	33.3	0.460	11.68	1.279	32.49	0.47	11.9	0.25	6.4	4-40
17	E	1.72/1.78	43.7/45.2	1.44	36.6	0.545	13.84	1.406	35.71	0.55	14.0	0.25	6.4	4-40
19	F	1.97/2.03	50.0/51.6	1.56	39.6	0.615	15.62	1.516	38.51	0.62	15.7	0.38	9.7	6-32
21	G	2.09/2.15	53.1/54.6	1.69	42.9	0.698	17.73	1.642	41.71	0.70	17.8	0.38	9.7	6-32
23	H	2.22/2.28	56.4/57.9	1.75	44.5	0.780	19.81	1.768	44.91	0.78	19.8	0.38	9.7	6-32
25	J	2.35/2.41	59.7/61.2	1.88	47.8	0.850	21.59	1.869	47.47	0.85	21.6	0.38	9.7	6-32