

GASKET

M85049	/130	-02	F
SERIES	SLASH #	DASH #	BASE MATERIAL
		Table A	F: Blue Fluorosilicone N: Black Neprene S: Red Silicone V: Black - Viton

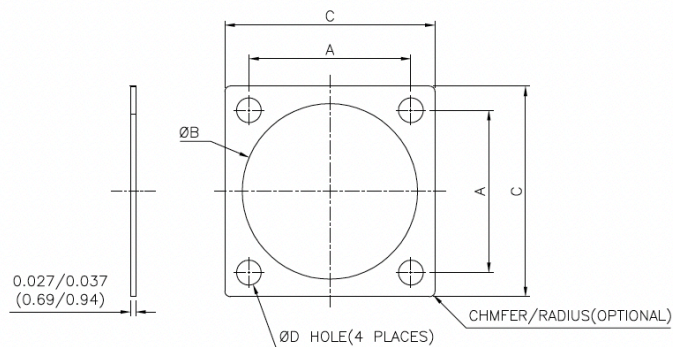


TABLE A								
DASH #	A		B		C		D	
	±0.015	±0.381	+0.02 / -0	+0.50 / -0	±0.015	±0.381	±0.010	±0.254
	inch	mm	inch	mm	inch	mm	inch	mm
01	0.594	15.09	0.568	14.43	0.812	20.62	0.125	3.18
02	0.594	15.09	0.500	12.70	0.875	22.23	0.156	3.96
03	0.625	15.88	0.603	15.32	0.896	22.76	0.125	3.18
04	0.719	18.26	0.680	17.27	0.937	23.80	0.125	3.18
05	0.719	18.26	0.625	15.88	1.000	25.40	0.156	3.96
05A	0.717	18.21	0.717	18.21	1.000	25.40	0.165	4.19
06	0.750	19.05	0.750	19.05	1.023	25.98	0.125	3.18
07	0.812	20.62	0.875	22.23	1.060	26.92	0.141	3.58
08	0.812	20.62	0.828	21.03	1.114	28.30	0.125	3.18
09	0.813	20.65	0.750	19.05	1.094	27.79	0.141	3.58
10	0.843	21.41	0.875	22.23	1.138	28.91	0.125	3.18
11	0.906	23.01	1.005	25.53	1.153	29.29	0.125	3.18
12	0.906	23.01	0.938	23.83	1.125	28.58	0.125	3.18
13	0.906	23.01	0.875	22.23	1.188	30.18	0.156	3.96
13A	0.906	23.01	0.969	24.61	1.181	30.00	0.165	4.19
14	0.969	24.61	1.135	28.83	1.258	31.95	0.156	3.96
15	0.969	24.61	1.063	27.00	1.250	31.75	0.125	3.18
16	0.969	24.61	1.000	25.40	1.281	32.54	0.156	3.96
16A	0.969	24.61	1.079	27.41	1.280	32.51	0.165	4.19
17	1.015	25.78	1.125	28.58	1.383	35.13	0.125	3.18
18	1.062	26.97	1.260	32.00	1.351	34.32	0.156	3.96
19	1.062	26.97	1.189	30.20	1.343	34.11	0.125	3.18
20	1.062	26.97	1.135	28.83	1.375	34.93	0.156	3.96
20A	1.063	27.00	1.213	30.81	1.378	35.00	0.165	4.19

GASKET

TABLE A								
DASH #	A		B		C		D	
	±0.015	±0.381	+0.02 / -0	+0.50 / -0	±0.015	±0.381	±0.010	±0.254
	inch	mm	inch	mm	inch	mm	inch	mm
21	1.140	28.96	1.312	33.32	1.508	38.30	0.125	3.18
22	1.156	29.36	1.375	34.93	1.500	38.10	0.141	3.58
23	1.156	29.36	1.312	33.32	1.467	37.26	0.125	3.18
24	1.156	29.36	1.250	31.75	1.500	38.10	0.177	4.50
24	1.156	29.36	1.250	31.75	1.500	38.10	0.177	4.50
24A	1.157	29.39	1.346	34.19	1.496	38.00	0.165	4.19
25	1.187	30.15	1.266	32.16	1.458	37.03	0.125	3.18
26	1.250	31.75	1.500	38.10	1.625	41.28	0.141	3.58
27	1.250	31.75	1.437	36.50	1.562	39.67	0.125	3.18
28	1.250	31.75	1.375	34.93	1.625	41.28	0.177	4.50
28A	1.252	31.80	1.472	37.39	1.614	41.00	0.165	4.19
29	1.281	32.54	1.500	38.10	1.718	43.64	0.125	3.18
30	1.375	34.93	1.625	41.28	1.750	44.45	0.177	4.50
31	1.375	34.93	1.563	39.70	1.703	43.26	0.156	3.96
32	1.375	34.93	1.500	38.10	1.750	44.45	0.203	5.16
32A	1.374	34.90	1.610	40.89	1.752	44.50	0.165	4.19
33	1.392	35.36	1.625	41.28	1.818	46.18	0.141	3.58
34	1.436	36.47	1.570	39.88	1.799	45.69	0.125	3.18
35	1.500	38.10	1.750	44.45	1.875	47.63	0.177	4.50
36	1.562	39.67	1.750	44.45	2.000	50.80	0.203	5.16
36A	1.563	39.70	1.839	46.71	2.000	50.80	0.201	5.11
37	1.568	39.83	1.875	47.63	2.138	54.31	0.141	3.58
38	1.719	43.66	2.000	50.80	2.375	60.33	0.177	4.50
39	1.734	44.04	2.062	52.37	2.328	59.13	0.177	4.50
40	1.750	44.45	2.000	50.80	2.250	57.15	0.219	5.56
40A	1.752	44.50	2.102	53.39	2.244	57.00	0.201	5.11
41	1.906	48.41	2.250	57.15	2.625	66.68	0.219	5.56
42	1.938	49.23	2.250	57.15	2.500	63.50	0.219	5.56
42A	1.937	49.20	2.346	59.59	2.500	63.50	0.201	5.11
43	2.188	55.58	2.500	63.50	2.750	69.85	0.219	5.56
44	2.375	60.33	2.781	70.64	3.000	76.20	0.219	5.56
45	2.406	61.11	2.750	69.85	3.125	79.38	0.281	7.14
46	2.625	66.68	3.031	76.99	3.250	82.55	0.219	5.56
47	2.656	67.46	3.000	76.20	3.375	85.73	0.281	7.14
48	2.906	73.81	3.250	82.55	3.625	92.08	0.281	7.14
49	3.156	80.16	3.500	88.90	3.875	98.43	0.281	7.14