

USB3 FTV Memory Keys

USB3.2 Gen1 Reinforced Memory Keys for data storage in harsh environment



Description

USB3.2 Gen1 reinforced memory keys allows you to carry sensitive information in total security in harsh military, avionics/airframe or industrial environment. Its design, based on MIL-DTL-38999 series III can only be mated to our USB3FTV or USBFTV receptacles and is available, as standard, in capacities from 32 to 256Gb.

Electronics used in our reinforced USB keys are from the latest generation, using TLC 3D flash technology (BiCS3) and benefit from PLM "Product Life Management" which means that we can inform about future evolution and obsolescence.

Main features

Main characteristics :

- Available capacities : 32, 64, 128 & 256Gb.
- Compatible only with USB3FTV or USBFTV receptacles.
- Tri Start Thread coupling mechanism (MIL-DTL-38999 series III type) with anti-decoupling device.
- Shell size 15.
- PLM "Product Life Management" : future evolution and obsolescence notification.

Data transmission :

- USB3.2 Gen1 max transfer rate : 5 Gb/s.
- Compatible with USB2.0 transfer with 480Mb/s.
- TLC 3D flash technology (BiCS3).
- MTBF: >3 000 000 hours.
- Global Wear Leveling.
- Flash bad-block management.

Environmental protection :

- Sealed against fluids and dusts : IP68 mated.
- Salt spray: Aluminium shell :
 - Nickel plating ✓ : 48h.
 - Black zinc nickel plating ✓ : 500h.
 - Olive drab cadmium plating : 500h.
- Vibrations: MIL-STD-810-H, Method 514.8, Category 14.
- Temperature range: - 40°C / +85°C (MIL-STD-810F).
- Data transmission during vibration & temperature tests.

Markets & Applications



C5ISR, Battlefield,
Ground Vehicles



Navy



Railway



Applications :

- Data acquisition and transmission in harsh environment, radars, shelters, battlefield communication

✓ : RoHS compliant

USB3 FTV Memory Keys

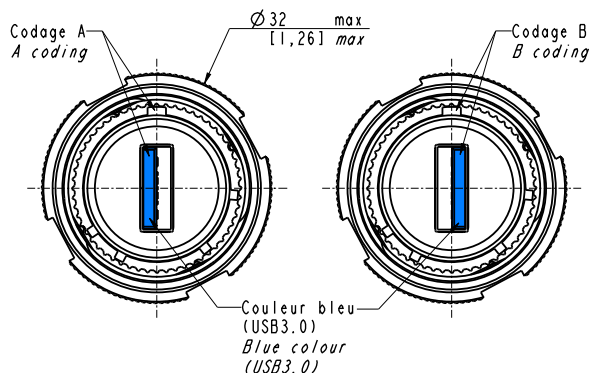
Overall dimension

USB3 FTV Memory Keys

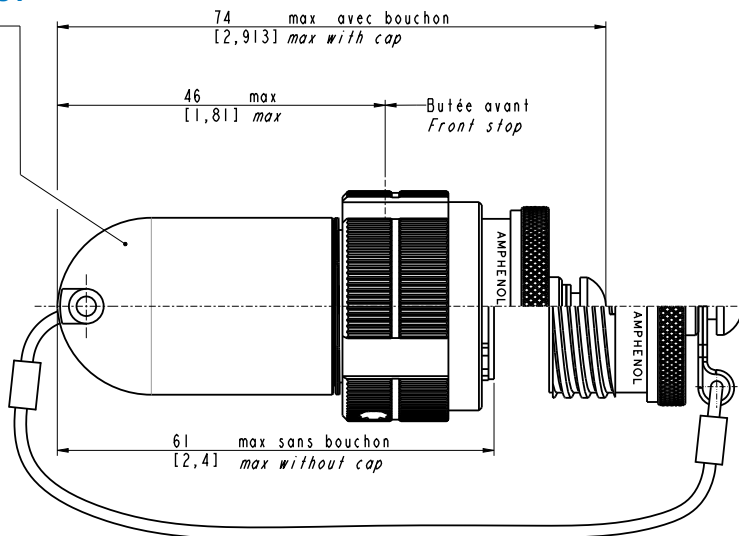
X: see the 'How to order' below to complete your part number

Part number type: **USB3F TV KEY 6 X XXX X XXX APA UV**

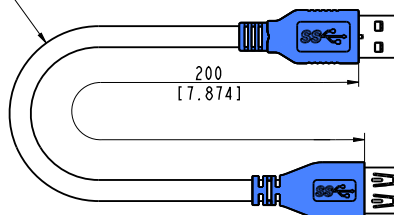
Corps vissé avec du frein filet.
Ne pas dévisser car cela endommagera l'électronique à l'intérieur.
Backshell screwed with thread locking.
Do not unscrew or it will break the electronic inside.



Coding A & B



Cordon mâle / femelle USB3.0
Male / female USB3.0 cordset



Included Male / Female cordset

USB3 FTV Memory Keys

How to order - Connector

1. Series	2. Shell type	3. Capacity	4. Material and plating	5. Protective cap	6. Mandatory
USB3F TV KEY 6	A	32	G		APA UV

1. Series

USB3F TV KEY 6 | USB3 FTV Memory Keys

2. Coding

A | Coding A
B | Coding B

3. Capacity

32 | 32 Gb
64 | 64 Gb
128 | 128 Gb
256 | 256 Gb

4. Material and plating

	Shell material	Shell finish
G		Olive drab cadmium
N	Aluminum	Nickel ✓
ZN		Black zinc nickel ✓

5. Protective cap

CAP | Without Cap
With Cap Backshell

6. Mandatory

APA UV | Mandatory

✓ : RoHS compliant

