

FLANGE MOUNT

1/4 PERIMETER

M85049	/96	-10	A
SERIES	SLASH #	DASH #	FINISH
		Table A	A - Polyamide primer coating as per MIL-PRF-23377 type 1 Omit for chemical conversion coating per MIL-DTL-5541 class 1A

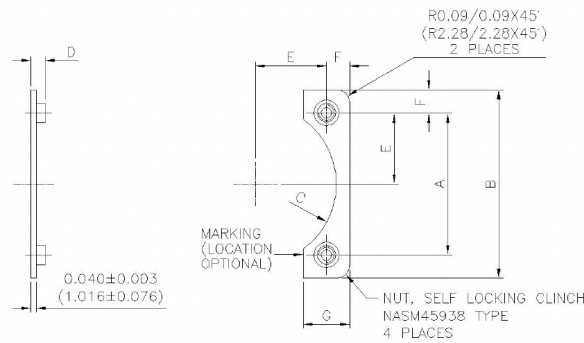


TABLE A

DASH #	THREAD UNJC-3B	A		B Max.		C Min.		D		E		F Ref.		G Max.	
		±0.005	±0.127	inch	mm	inch	mm	inch	mm	±0.005	±0.127	inch	mm	inch	mm
		inch	mm							inch	mm				
3	4-40	0.625	15.88	0.940	23.88	0.320	8.13	0.106/0.166	0.269/4.22	0.312	7.92	0.150	3.81	0.310	7.87
7	4-40	0.719	18.26	1.034	26.26	0.329	8.36	0.106/0.166	0.269/4.22	0.359	9.12	0.149	3.78	0.308	7.82
8	4-40	0.594	15.09	0.906	23.01	0.262	6.65	0.106/0.166	0.269/4.22	0.297	7.54	0.148	3.76	0.306	7.77
10	4-40	0.719	18.26	1.034	26.26	0.344	8.74	0.106/0.166	0.269/4.22	0.359	9.12	0.149	3.78	0.308	7.82
12	4-40	0.812	20.62	1.124	28.55	0.410	10.41	0.106/0.166	0.269/4.22	0.406	10.31	0.148	3.76	0.306	7.77
14	4-40	0.906	23.01	1.218	30.94	0.492	12.50	0.106/0.166	0.269/4.22	0.453	11.51	0.148	3.76	0.306	7.77
16	4-40	0.969	24.61	1.295	32.89	0.532	13.51	0.106/0.166	0.269/4.22	0.484	12.29	0.149	3.78	0.308	7.82
18	4-40	1.062	26.97	1.405	35.69	0.610	15.49	0.106/0.166	0.269/4.22	0.531	13.49	0.164	4.17	0.338	8.59
19	4-40	0.906	23.01	1.218	30.94	0.461	11.71	0.106/0.166	0.269/4.22	0.453	11.51	0.148	3.76	0.306	7.77
20	4-40	1.156	29.36	1.550	39.37	0.657	16.69	0.106/0.166	0.269/4.22	0.578	14.68	0.177	4.50	0.364	9.25
22	4-40	1.250	31.75	1.680	42.67	0.724	18.39	0.106/0.166	0.269/4.22	0.625	15.88	0.195	4.95	0.400	10.16
24	6-32	1.375	34.93	1.800	45.72	0.782	19.86	0.123/0.183	0.312/4.65	0.687	17.45	0.193	4.90	0.396	10.06
25	6-32	1.500	38.10	1.906	48.41	0.814	20.68	0.123/0.183	0.312/4.65	0.750	19.05	0.179	4.55	0.368	9.35
27	4-40	0.969	24.61	1.281	32.54	0.547	13.89	0.106/0.166	0.269/4.22	0.484	12.29	0.149	3.78	0.308	7.82
28	6-32	1.562	39.67	2.015	51.18	0.895	22.73	0.123/0.183	0.312/4.65	0.781	19.84	0.219	5.56	0.448	11.38
32	6-32	1.750	44.45	2.327	59.11	1.016	25.81	0.123/0.183	0.312/4.65	0.875	22.23	0.281	7.14	0.572	14.53
36	6-32	1.938	49.23	2.515	63.88	1.141	28.98	0.123/0.183	0.312/4.65	0.969	24.61	0.281	7.14	0.572	14.53
37	4-40	1.187	30.15	1.515	38.48	0.625	15.88	0.106/0.166	0.269/4.22	0.593	15.06	0.157	3.99	0.324	8.23
61	4-40	1.437	36.50	1.827	46.41	0.732	18.59	0.106/0.166	0.269/4.22	0.718	18.24	0.188	4.78	0.386	9.80

FLANGE MOUNT

1/4 PERIMETER

TABLE B - MOUNTING FLANGE CONNECTOR APPLICATION DATA											
Accessory Shell Size	MIL-DTL-38999				MIL-DTL-5015	AS81703 SERIES 3	MIL DTL-26482 SERIES 1 & 2	MILDTL-83723 SERIES III	MILDTL-26500 NAS 1599	MILC- 81511	MIL DTL-27599
	SERIES I	SERIES II	SERIES III	SERIES IV							
CONNECTOR SHELL SIZE											
3						3					
7						7					
8		8			8S		8	8	8	8	8
10	9	10	9(A)		10SL		10	10	10	10	10
12	11	12	11(B)	11(B)	12, 12S	12	12	12	12		12
14	13	14	13(C)	13(C)	14, 14S	19	14	14	14	14	14
16	15	16	15(D)	15(D)	16, 16S	27	16	16	16	16	16
18	17	18	17(E)	17(E)	18		18	18	18	18	18
20	19	20	19(F)	19(F)	20		20	20	20	20	20
22	21	22	21(G)	21(G)	22		22	22	22	22	22
24	23	24	23(H)	23(H)	24		24	24	24	24	24
25	25		25(J)	25(J)							
27											
28											
32											
36											
37						37					
61						61					