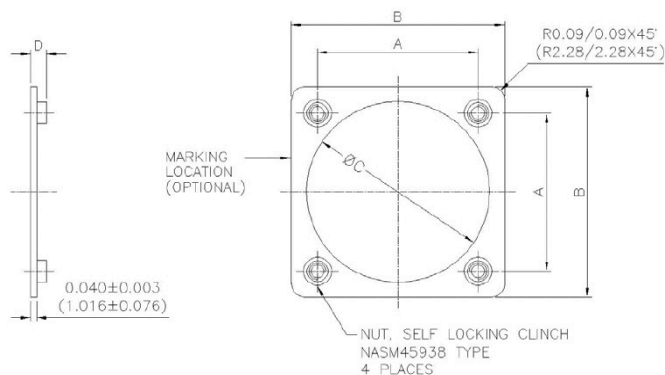


# FLANGE MOUNT

## FULL PERIMETER

M85049	/94	-10	A
SERIES	SLASH #	DASH #	FINISH
		Table A	A - Polyamide primer coating as per MIL-PRF-23377 type 1 Omit for chemical conversion coating per MIL-DTL-5541 class 1A



DASH #	THREAD UNJC-3B	A ± 0.015 (± 0.38)		B, Max		C		D	
		inch	mm	inch	mm	inch	mm	inch	mm
8	4-40	0.594	15.09	0.900	22.86	0.555/0.585	14.10/14.86	0.106/0.166	2.69/4.22
10	4-40	0.719	18.26	1.034	26.26	0.685/0.735	17.40/18.67	0.106/0.166	2.69/4.22
12	4-40	0.812	20.62	1.119	28.42	0.820/0.860	20.83/21.84	0.106/0.166	2.69/4.22
14	4-40	0.906	23.01	1.213	30.81	0.945/0.990	24.00/25.15	0.106/0.166	2.69/4.22
16	4-40	0.969	24.61	1.295	32.89	1.070/1.100	27.18/27.94	0.106/0.166	2.69/4.22
18	4-40	1.062	26.97	1.421	36.09	1.195/1.225	30.35/30.99	0.106/0.166	2.69/4.22
20	4-40	1.156	29.36	1.550	39.37	1.320/1.350	33.53/34.29	0.106/0.166	2.69/4.22
22	4-40	1.250	31.75	1.680	42.67	1.440/1.485	36.58/37.72	0.106/0.166	2.69/4.22
24	6-32	1.375	34.93	1.800	45.72	1.570/1.600	39.88/40.64	0.123/0.183	3.12/4.65
25	6-32	1.500	38.10	1.910	48.51	1.643/1.673	41.73/42.49	0.123/0.183	3.12/4.65

DASH #	MIL-DTL-38999				AS50151	AS81703 SERIES 3	MIL-DTL-26482 SERIES 1 & 2	MIL-DTL-83723 SERIES III	MIL-DTL-26500 NAS 1599	MIL-C-81511	MIL-DTL-27599
	SERIES I	SERIES II	SERIES III	SERIES IV							
	CONNECTOR SHELL SIZE										
8		8			8S		8	8	8	8	8
10	9	10	9(A)		10SL	7	10	10	10	10	10
12	11	12	11(B)	11(B)	12, 12S	12	12	12	12		12
14	13	14	13(C)	13(C)	14, 14S	19	14	14	14	14	14
16	15	16	15(D)	15(D)	16, 16S	27	16	16	16	16	16
18	17	18	17(E)	17(E)	18		18	18	18	18	18
20	19	20	19(F)	19(F)	20		20	20	20	20	20
22	21	22	21(G)	21(G)	22		22	22	22	22	22
24	23	24	23(H)	23(H)	24		24	24	24	24	24
25	25		25(J)	25(J)							