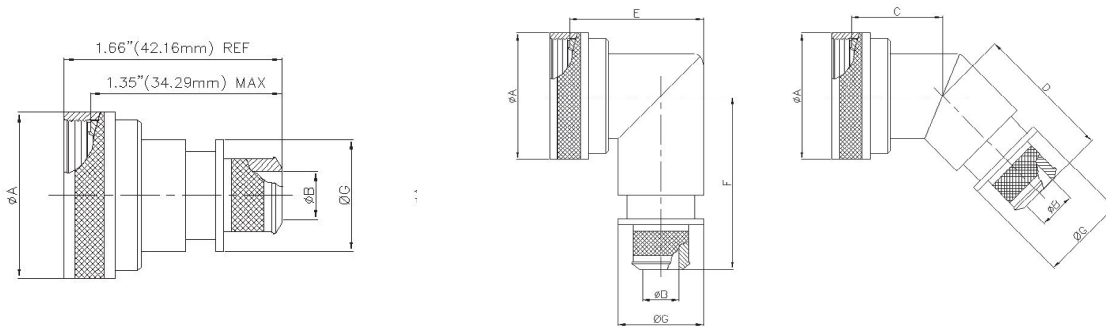


Straight; 90° & 45°; Self-Lock

Connector Group L

D38999 Series III & IV

M85049	/88	-11	W	03
SERIES	SLASH #	ACCESSORY SHELL SIZE	FINISH	ENTRY SIZE
	88: Straight 89: 45 90: 90°	Table A	N: Electroless Nickel P: Cadmium w/ Exposed Nickel W: Cadmium Olive Drab Z: Black Zinc Nickel ZP: Zinc Nickel w/ Exposed Nickel	Table A



Accessory Shell Size	Entry Size	Connector Shell Size	A Ø Max.		B Ø Max.		C Max.		D Max.		E Max.		F Max.		G Max.	
			inch	mm	+0.00 / -0.02	+0.00 / -0.50	inch	mm	inch	mm	inch	mm	inch	mm	inch	mm
					inch	mm										
9	03	9 / A	0.86	21.82	0.250	6.35	1.01	25.65	1.16	29.46	1.38	34.93	1.42	35.99	N/A	N/A
11	03	11 / B	0.99	25.04	N/A	N/A	1.03	26.16	1.19	30.23	1.44	36.50	1.48	37.59	N/A	N/A
13	02	13 / C	1.16	29.36	0.312	7.92	1.06	26.92	1.21	30.73	1.56	39.67	1.55	39.45	0.63	16.00
	03				0.312	7.92									0.75	19.05
15	02	15 / D	1.28	32.54	0.438	11.13	1.8	27.43	1.24	31.50	1.69	42.85	1.61	41.00	0.75	19.05
	03				0.438	11.13									0.89	22.61
17	02	17 / E	1.41	35.71	0.562	14.27	1.11	28.19	1.26	32.00	1.75	44.45	1.68	42.62	0.82	20.83
	03				0.500	12.70									0.95	24.13
19	02	19 / F	1.52	38.51	0.625	15.88	1.12	28.45	1.27	32.26	1.88	47.63	1.77	45.03	0.95	24.13
	03				0.625	15.88									1.07	27.18
21	02	21 / G	1.64	41.68	0.750	19.05	1.15	29.21	1.30	33.02	1.94	49.23	1.80	45.62	0.95	24.13
	03				0.625	15.88									1.13	28.07
23	02	23 / H	1.77	44.86	0.812	20.62	1.17	29.72	1.33	33.78	2.06	52.37	1.86	47.22	1.02	25.99
	03				0.688	17.48									1.26	32.00
25	02	25 / J	1.89	48.03	0.938	23.83	1.20	30.48	1.35	34.29	2.13	53.98	1.92	48.74	1.07	27.18
	03				0.750	19.05									1.32	33.53