

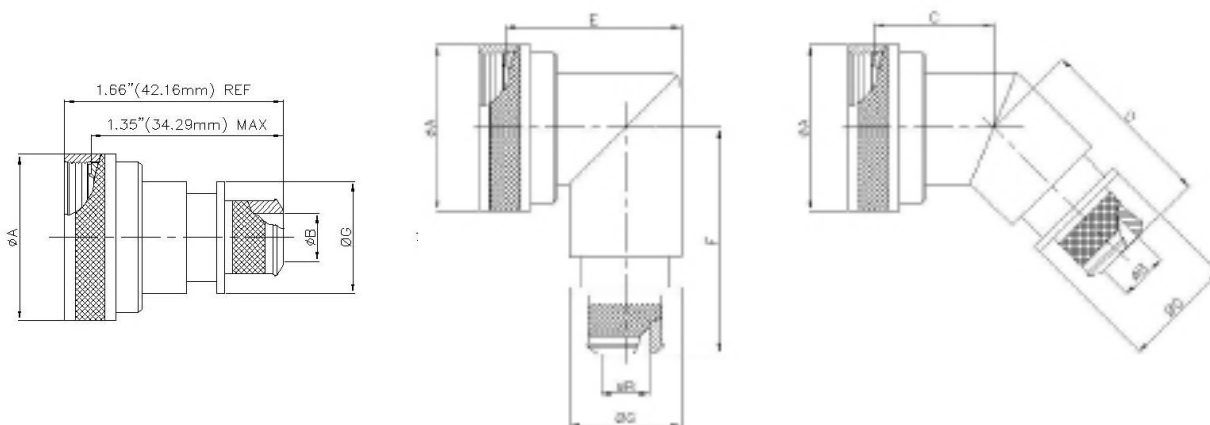
# BAND LOCK ADAPTER

Straight; 90° & 45°; Self-Lock

Connector Group J

MIL-DTL-26482 Series II; MIL-DTL-83723 Series III; AS50151; AS81703

|        |                                    |                      |   |            |
|--------|------------------------------------|----------------------|---|------------|
| M85049 | /82                                | -10                  | W   | 03         |
| SERIES | SLASH #                            | ACCESSORY SHELL SIZE | FINISH  | ENTRY SIZE |
|        | 82: Straight<br>83: 45°<br>84: 90° | Table A              | N : Electroless Nickel<br>P : Cadmium w/ Exposed Nickel<br>Z : Black Zinc Nickel<br>W : Cadmium Olive Drab over Electroless Nickel<br>ZP: Black Zinc Nickel w/ Exposed Nickel | Table A    |



| Accessory Shell Size | Entry Size | Connector Shell Size | A Ø Max. |       | B Ø . Max.    |       | C Max. |       | D Max. |       | E Max. |       | F Max. |       | G Max. |       |
|----------------------|------------|----------------------|----------|-------|---------------|-------|--------|-------|--------|-------|--------|-------|--------|-------|--------|-------|
|                      |            |                      | inch     | mm    | +0.00 / -0.02 |       | inch   | mm    | inch   | mm    | inch   | mm    | inch   | mm    | inch   | mm    |
|                      |            |                      |          |       |               |       |        |       |        |       |        |       |        |       |        |       |
| 08                   | 03         | 8                    | 0.89     | 22.48 | 0.26          | 6.60  | 0.87   | 22.10 | 1.16   | 29.46 | 1.19   | 30.18 | 1.42   | 35.99 | 0.56   | 14.22 |
| 10                   | 03         | 10                   | 1.01     | 25.65 | 0.32          | 8.13  | 0.89   | 22.61 | 1.18   | 29.97 | 1.28   | 32.54 | 1.48   | 37.59 | 0.63   | 16.00 |
| 12                   | 02         | 7 / 12               | 1.14     | 28.83 | 0.32          | 8.13  | 0.92   | 23.37 | 1.20   | 30.48 | 1.41   | 35.71 | 1.54   | 39.17 | 0.63   | 16.00 |
|                      | 03         |                      |          |       | 0.45          | 11.43 |        |       |        |       |        |       |        |       | 0.75   | 19.05 |
| 14                   | 02         | 12 / 14              | 1.26     | 32.00 | 0.45          | 11.43 | 0.94   | 23.88 | 1.22   | 30.99 | 1.53   | 38.89 | 1.61   | 40.77 | 0.75   | 19.05 |
|                      | 03         |                      |          |       | 0.57          | 14.48 |        |       |        |       |        |       |        |       | 0.89   | 22.61 |
| 16                   | 02         | 19 / 16              | 1.39     | 35.18 | 0.51          | 12.95 | 0.96   | 24.38 | 1.25   | 31.75 | 1.66   | 42.06 | 1.67   | 42.34 | 0.82   | 20.83 |
|                      | 03         |                      |          |       | 0.64          | 16.26 |        |       |        |       |        |       |        |       | 0.95   | 24.13 |
| 18                   | 02         | 27 / 18              | 1.51     | 38.35 | 0.64          | 16.26 | 0.98   | 24.89 | 1.26   | 32.00 | 1.72   | 43.64 | 1.73   | 43.94 | 0.95   | 24.13 |
|                      | 03         |                      |          |       | 0.76          | 19.30 |        |       |        |       |        |       |        |       | 1.07   | 27.18 |
| 20                   | 02         | 37 / 20              | 1.64     | 41.53 | 0.64          | 16.26 | 1.00   | 25.40 | 1.29   | 32.77 | 1.84   | 46.84 | 1.79   | 45.52 | 0.95   | 24.13 |
|                      | 03         |                      |          |       | 0.82          | 20.83 |        |       |        |       |        |       |        |       | 1.13   | 28.07 |
| 22                   | 02         | 22                   | 1.76     | 44.70 | 0.70          | 17.78 | 1.03   | 26.16 | 1.31   | 33.27 | 1.94   | 49.23 | 1.85   | 46.99 | 1.02   | 25.99 |
|                      | 03         |                      |          |       | 0.95          | 24.13 |        |       |        |       |        |       |        |       | 1.26   | 32.00 |
| 24                   | 02         | 24                   | 1.89     | 47.88 | 0.76          | 19.30 | 1.05   | 26.67 | 1.34   | 34.04 | 2.09   | 53.16 | 1.92   | 48.69 | 1.07   | 27.18 |
|                      | 03         |                      |          |       | 1.01          | 25.65 |        |       |        |       |        |       |        |       | 1.32   | 33.53 |
| 28                   | 02         | 28                   | 2.14     | 54.23 | 0.89          | 22.61 | 1.10   | 27.94 | 1.38   | 35.05 | 2.53   | 64.29 | 2.04   | 51.87 | 1.19   | 30.23 |
|                      | 03         |                      |          |       | 1.14          | 28.96 |        |       |        |       |        |       |        |       | 1.47   | 37.34 |