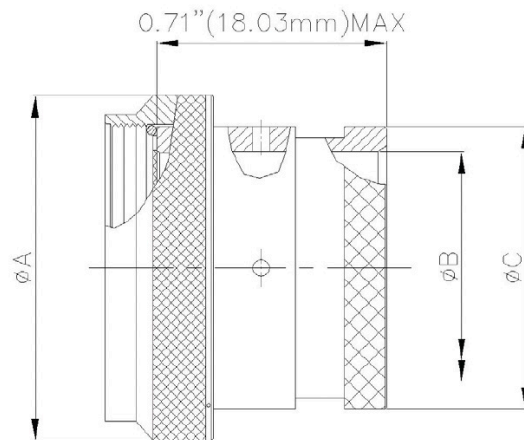


STRAIGHT; SPIN COUPLING

Connector Group L

D38999 Series III & IV

M85049	/69	11	W	D
SERIES	SLASH #	ACCESSORY SHELL SIZE	FINISH	D: Drain Hole
	69: Straight	Table A	A: Anodized Black N: Electroless Nickel W: Cadmium Olive Drab Z: Black Zinc Nickel	



Accessory Shell Size	Connector Shell Size	A Ø Max.		B Max.		C Ø Max.	
		inch	mm	inch	mm	inch	mm
9	9 / A	0.75	19.05	0.25	6.35	0.53	13.54
11	11 / B	0.85	21.59	0.38	9.53	0.61	15.37
13	13 / C	1.00	25.40	0.50	12.70	0.77	19.66
15	15 / D	1.15	29.21	0.63	15.88	0.84	21.29
17	17 / E	1.25	31.75	0.75	19.05	0.96	24.46
19	19 / F	1.40	35.56	0.81	20.62	1.04	26.47
21	21 / G	1.55	39.37	0.94	23.80	1.22	30.91
23	23 / H	1.65	41.91	1.06	26.97	1.36	34.42
25	25 / J	1.85	46.99	1.19	30.18	1.44	36.65