

STRAIGHT; SPIN COUPLING

Connector Group K

D38999 Series I & II

M85049	/62	10	W	D
SERIES	SLASH #	DASH #	FINISH	D: Drain Hole
	62: Straight	Table A	A: Anodized Black N: Electroless Nickel W: Cadmium Olive Drab Z: Black Zinc Nickel	

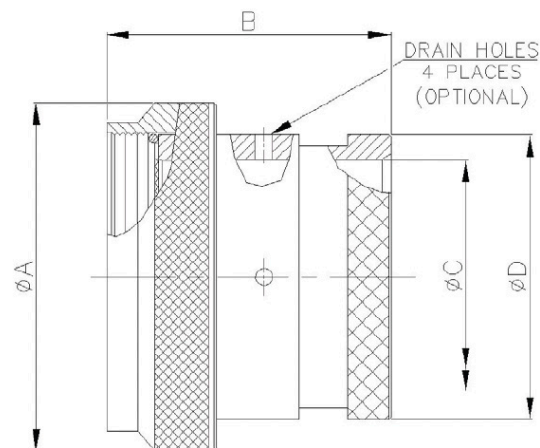


TABLE A

DASH #	Connector Shell Size	A Ø Max.		B Max.		C Ø Min.		D Ø Max.	
		inch	mm	inch	mm	inch	mm	inch	mm
08	8 / 9	0.75	19.05	1.00	25.40	0.25	6.35	0.53	13.54
10	10 / 11	0.85	21.59	1.00	25.40	0.38	9.53	0.61	15.37
12	12 / 13	1.00	25.40	1.00	25.40	0.50	12.70	0.77	19.66
14	14 / 15	1.10	27.94	1.00	25.40	0.63	15.88	0.84	21.29
16	16 / 17	1.25	31.75	1.00	25.40	0.75	19.05	0.96	24.46
18	18 / 19	1.40	35.56	1.00	25.40	0.81	20.62	1.04	26.47
20	20 / 21	1.50	38.10	1.00	25.40	0.94	23.80	1.22	30.91
22	22 / 23	1.65	41.91	1.00	25.40	1.06	26.97	1.36	34.42
24	24 / 25	1.75	44.45	1.00	25.40	1.19	30.18	1.44	36.65