

## Straight

M22992, Class C, J, & R

M85049	59	W	12
SERIES	SLASH #	FINISH	ADAPTER SIZE
	59: Straight	A: Aluminum, Black Anodize W: Aluminum, Cadmium Olive Drab Z: Aluminum, Zinc Nickel	12 14 16 18 20 22 24 28 32 36 40 44

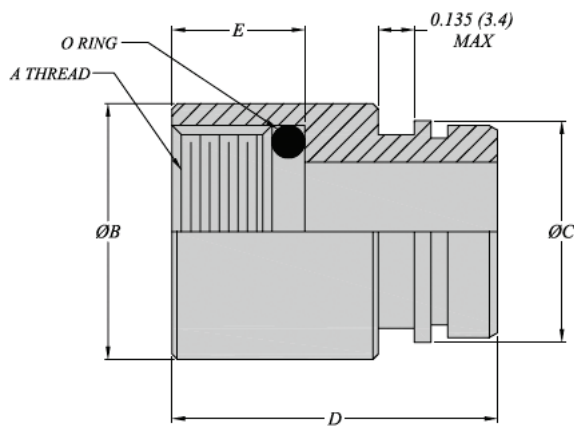


TABLE-A

Adapter Size #	A THREAD UNEF CLASS 2B-LH	$\text{ØB}$ $\pm 0.010 (0.25)$		$\text{ØC}$ $\pm 0.010 (0.25)$		D $\pm 0.031 (0.78)$		E $\pm 0.016 (0.40)$	
		inch	mm	inch	mm	inch	mm	inch	mm
12	0.7500-20 UNEF	0.923	23.44	0.798	20.27	1.175	29.85	0.479	12.17
14	0.8750-20 UNEF	1.047	26.59	0.922	23.42	1.175	29.85	0.479	12.17
16	1.000-20 UNEF	1.172	29.77	1.048	26.62	1.175	29.85	0.479	12.17
18	1.125-18 UNEF	1.297	32.94	1.172	29.77	1.175	29.85	0.479	12.17
20	1.250-18 UNEF	1.422	36.12	1.297	32.94	1.175	29.85	0.479	12.17
22	1.375-18 UNEF	1.547	39.29	1.423	36.14	1.175	29.85	0.479	12.17
24	1.625-19 UNEF	1.787	45.39	1.662	42.21	1.175	29.85	0.479	12.17
28	1.875-16 UN	2.047	51.99	1.922	48.82	1.175	29.85	0.479	12.17
32	2.0625-16 UN	2.297	58.34	2.172	55.17	1.175	29.85	0.479	12.17
36	2.3125-16 UN	2.547	64.69	2.422	61.52	1.175	29.85	0.479	12.17
40	2.6250-16 UN	2.859	72.62	2.734	69.44	1.375	34.93	0.667	16.94
44	2.8750-16 UN	3.110	78.99	2.982	75.74	1.375	34.93	0.667	16.94