

STRAIGHT; 90°; SPIN COUPLING; SELF-LOCK W/ SHIELD

Connector Group L

D38999 Series III & IV

M85049	/115	-	11	T	W	03	-6	D
SERIES	SLASH #	COUPLING	ACCESSORY SHELL SIZE	SHIELD FINISH	FINISH	ENTRY SIZE	SHIELD LENGTH	D: Drain Hole
	115: Straight 117: 90°	-:Spin S: Self-Lock	Table A	(Material: Copper) K: Nickel T: Tin	N: Electroless Nickel W: Cadmium Olive Drab Z: Black Zinc Nickel	Table A & B	6 inches min. 18 inches max. 1 inch increments	

TABLE A

Accessory Shell Size	Entry Size		Connector Shell Size	A Ø Max.		H Max.		J Max.	
	Min.	Max.		inch	mm	inch	mm	inch	mm
09	-	01	8/9	0.860	21.84	1.73	43.94	0.88	25.35
11	01	03	10/11	0.980	24.89	1.85	46.99	1.00	30.23
13	01	05	12/13	1.160	29.46	1.87	47.50	1.13	33.53
15	03	07	14/15	1.280	32.51	1.94	49.28	1.31	36.58
17	05	9	16/17	1.410	35.81	2.03	51.56	1.50	39.88
19	06	10	18/19	1.520	38.61	2.20	55.88	1.75	44.45
21	8	12	20/21	1.640	41.66	2.20	55.88	1.75	44.45
23	9	13	22/23	1.770	44.96	2.31	58.67	2.00	50.80
25	10	14	24/25	1.890	48.01	2.31	58.67	2.00	50.80

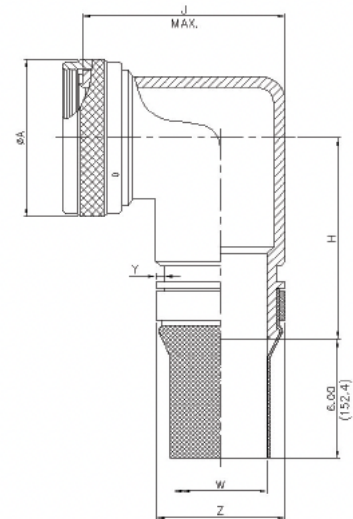


TABLE-B

Entry Size	W ±0.020 (0.51)		Y +0.008(0.20) -0.00		Z Max.	
	inch	mm	inch	mm	inch	mm
01	0.250	6.350	0.044	1.12	0.56	14.22
02	0.312	7.920	0.044	1.12	0.63	16.00
03	0.375	9.530	0.044	1.12	0.69	17.53
04	0.438	11.130	0.044	1.12	0.75	19.05
05	0.500	12.700	0.044	1.12	0.82	20.83
06	0.562	14.270	0.044	1.12	0.89	22.61
07	0.625	15.880	0.044	1.12	0.95	24.13
08	0.688	17.480	0.044	1.12	1.02	25.91
09	0.750	19.050	0.069	1.75	1.07	27.18
10	0.812	20.620	0.069	1.75	1.13	28.70
11	0.875	22.230	0.069	1.75	1.19	30.23
12	0.938	23.830	0.069	1.75	1.26	32.00
13	1.000	25.400	0.069	1.75	1.32	33.53

