

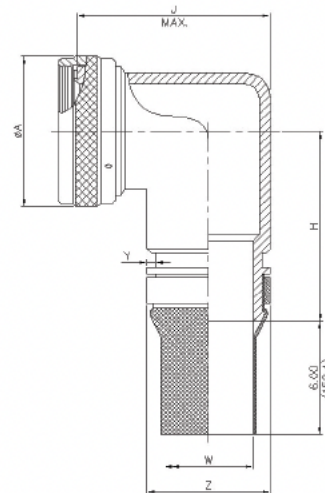
STRAIGHT; 90°; SPIN COUPLING; SELF-LOCK W/ SHIELD

Connector Group K

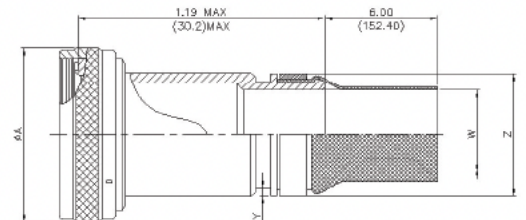
D38999 Series I & II

M85049	/109	S	10	T	W	03	-6	D
SERIES	SLASH #	COUPLING	ACCESSORY SHELL SIZE	SHIELD FINISH	FINISH	ENTRY SIZE	SHIELD LENGTH	D: Drain Hole
	109: Straight 111: 90°	--Spin S:Self-Lock	Table A	(Material: Copper) K: Nickel T: Tin	N: Electroless Nickel W: Cadmium Olive Drab Z: Black Zinc Nickel	Table A & B	6 inches min. 18 inches max. 1 inch increments	

Accessory Shell Size	Entry Size		Connector Shell Size	A Dia. Max.		H Max.		J Max.	
	Min.	Max.		inch	mm	inch	mm	inch	mm
08	-	01	8	0.885	22.48	1.73	43.94	1.12	28.45
10	01	03	10	1.010	25.65	1.85	46.99	1.25	31.75
12	01	05	7/12	1.135	28.83	1.87	47.50	1.38	35.05
14	02	06	12/14	1.260	32.00	1.94	49.28	1.44	36.58
16	04	08	19/16	1.385	35.18	2.03	51.56	1.56	39.62
18	05	09	27/18	1.510	38.35	2.20	55.88	1.75	44.45
20	07	11	37/20	1.635	41.53	2.20	55.88	1.75	44.45
22	09	13	22	1.760	44.70	2.31	58.67	2.00	50.80
24	11	14	24	1.885	47.88	2.31	58.67	2.00	50.80
28	14	16	28	2.135	54.23	2.48	62.99	2.25	57.15
32	16	17	32	2.395	60.83	2.73	69.34	2.75	69.85
36	17	19	36	2.635	66.93	2.73	69.34	3.125	79.38
40	19	21	40	2.885	73.28	2.88	73.15	4.125	104.78
44	21	23	44	3.135	79.63	3.00	76.20	4.125	104.78
48	23	25	48	3.385	85.98	3.12	79.25	4.125	104.78



Entry Size	W ±0.020 (0.51)		Y +0.008(0.20) -0.00		Z Max.	
	inch	mm	inch	mm	inch	mm
01	0.250	6.350	0.044	1.12	0.56	14.22
02	0.312	7.920	0.044	1.12	0.63	16.00
03	0.375	9.530	0.044	1.12	0.69	17.53
04	0.438	11.130	0.044	1.12	0.75	19.05
05	0.500	12.700	0.044	1.12	0.82	20.83
06	0.562	14.270	0.044	1.12	0.89	22.61
07	0.625	15.880	0.044	1.12	0.95	24.13
08	0.688	17.480	0.044	1.12	1.02	25.91
09	0.750	19.050	0.069	1.75	1.07	27.18
10	0.812	20.620	0.069	1.75	1.13	28.70
11	0.875	22.230	0.069	1.75	1.19	30.23
12	0.938	23.830	0.069	1.75	1.26	32.00
13	1.000	25.400	0.069	1.75	1.32	33.53
14	1.125	28.575	0.069	1.75	1.47	37.34
15	1.250	31.750	0.069	1.75	1.60	40.64
16	1.375	34.930	0.069	1.75	1.71	43.43
17	1.500	38.100	0.086	2.18	1.84	46.74
18	1.625	41.280	0.086	2.18	2.00	50.80
19	1.750	44.450	0.086	2.18	2.12	53.85
20	1.875	47.630	0.086	2.18	2.27	57.66
21	2.000	50.800	0.086	2.18	2.44	61.98
22	2.125	53.980	0.086	2.18	2.60	66.04
23	2.250	57.150	0.086	2.18	2.75	69.85
24	2.375	60.325	0.086	2.18	2.90	73.66
25	2.500	63.500	0.086	2.18	3.06	77.72



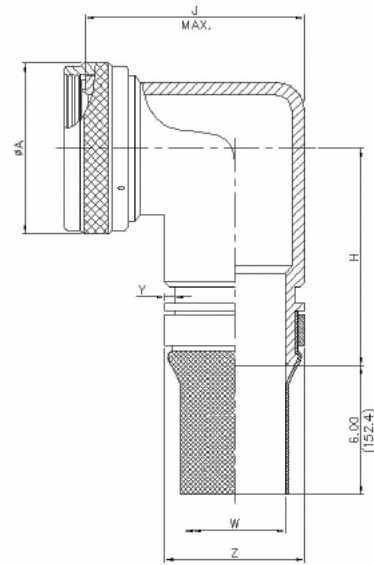
STRAIGHT; 90°; SPIN COUPLING; SELF-LOCK W/ SHIELD

Connector Group K

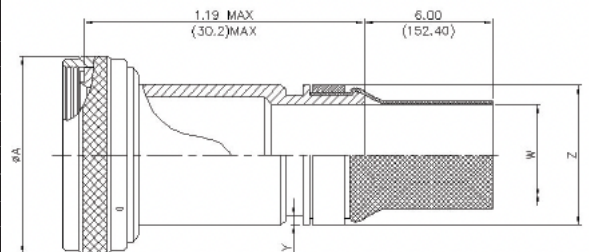
D38999 Series I & II

M85049	/112	S	10	T	W	03	-6	D
SERIES	SLASH #	COUPLING	ACCESSORY SHELL SIZE	SHIELD FINISH	FINISH	ENTRY SIZE	SHIELD LENGTH	D: Drain Hole
	112: Straight 114: 90°	--Spin S:Self-Lock	Table A	(Material: Copper) K: Nickel T: Tin	N: Electroless Nickel W: Cadmium Olive Drab Z: Black Zinc Nickel	Table A & B	6 inches min. 18 inches max. 1 inch increments	

Accessory Shell Size	Entry Size		Connector Shell Size	A Ø Max.		H Max.		J Max.	
	Min.	Max.		inch	mm	inch	mm	inch	mm
08	-	01	8/9	0.86	21.84	1.73	43.94	1.07	27.18
10	01	03	10/11	0.98	24.89	1.85	46.99	1.19	30.23
12	01	05	12/13	1.16	29.46	1.87	47.50	1.32	33.53
14	03	07	14/15	1.28	32.51	1.94	49.28	1.44	36.58
16	05	09	16/17	1.41	35.81	2.03	51.56	1.57	39.88
18	06	10	18/19	1.52	38.61	2.20	55.88	1.75	44.45
20	08	12	20/21	1.64	41.66	2.20	55.88	1.75	44.45
22	09	13	22/23	1.77	44.96	2.31	58.67	2.00	50.80
24	10	14	24/25	1.89	48.01	2.31	58.67	2.00	50.80



Entry Size	W ±0.020 (0.51)		Y +0.008(0.20) -0.00		Z Max.	
	inch	mm	inch	mm	inch	mm
01	0.250	6.350	0.044	1.12	0.56	14.22
02	0.312	7.920	0.044	1.12	0.63	16.00
03	0.375	9.530	0.044	1.12	0.69	17.53
04	0.438	11.130	0.044	1.12	0.75	19.05
05	0.500	12.700	0.044	1.12	0.82	20.83
06	0.562	14.270	0.044	1.12	0.89	22.61
07	0.625	15.880	0.044	1.12	0.95	24.13
08	0.688	17.480	0.044	1.12	1.02	25.91
09	0.750	19.050	0.069	1.75	1.07	27.18
10	0.812	20.620	0.069	1.75	1.13	28.70
11	0.875	22.230	0.069	1.75	1.19	30.23
12	0.938	23.830	0.069	1.75	1.26	32.00
13	1.000	25.400	0.069	1.75	1.32	33.53
14	1.125	28.575	0.069	1.75	1.47	37.34



STRAIGHT; 90°; SPIN COUPLING; SELF-LOCK W/ SHIELD

Connector Group L

D38999 Series III & IV

M85049	/115	-	11	T	W	03	-6	D
SERIES	SLASH #	COUPLING	ACCESSORY SHELL SIZE	SHIELD FINISH	FINISH	ENTRY SIZE	SHIELD LENGTH	D: Drain Hole
	115: Straight 117: 90°	-:Spin S: Self-Lock	Table A	(Material: Copper) K: Nickel T: Tin	N: Electroless Nickel W: Cadmium Olive Drab Z: Black Zinc Nickel	Table A & B	6 inches min. 18 inches max. 1 inch increments	

TABLE A

Accessory Shell Size	Entry Size		Connector Shell Size	A Ø Max.		H Max.		J Max.	
	Min.	Max.		inch	mm	inch	mm	inch	mm
09	-	01	8/9	0.860	21.84	1.73	43.94	0.88	25.35
11	01	03	10/11	0.980	24.89	1.85	46.99	1.00	30.23
13	01	05	12/13	1.160	29.46	1.87	47.50	1.13	33.53
15	03	07	14/15	1.280	32.51	1.94	49.28	1.31	36.58
17	05	9	16/17	1.410	35.81	2.03	51.56	1.50	39.88
19	06	10	18/19	1.520	38.61	2.20	55.88	1.75	44.45
21	8	12	20/21	1.640	41.66	2.20	55.88	1.75	44.45
23	9	13	22/23	1.770	44.96	2.31	58.67	2.00	50.80
25	10	14	24/25	1.890	48.01	2.31	58.67	2.00	50.80

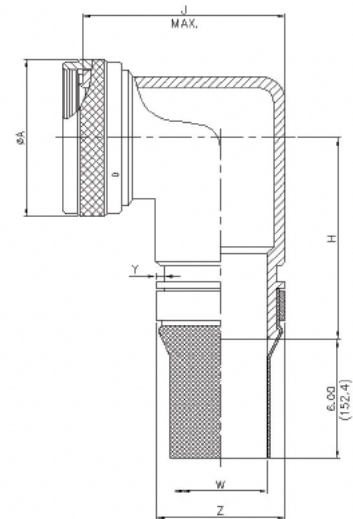


TABLE-B

Entry Size	W ±0.020 (0.51)		Y +0.008(0.20) -0.00		Z Max.	
	inch	mm	inch	mm	inch	mm
01	0.250	6.350	0.044	1.12	0.56	14.22
02	0.312	7.920	0.044	1.12	0.63	16.00
03	0.375	9.530	0.044	1.12	0.69	17.53
04	0.438	11.130	0.044	1.12	0.75	19.05
05	0.500	12.700	0.044	1.12	0.82	20.83
06	0.562	14.270	0.044	1.12	0.89	22.61
07	0.625	15.880	0.044	1.12	0.95	24.13
08	0.688	17.480	0.044	1.12	1.02	25.91
09	0.750	19.050	0.069	1.75	1.07	27.18
10	0.812	20.620	0.069	1.75	1.13	28.70
11	0.875	22.230	0.069	1.75	1.19	30.23
12	0.938	23.830	0.069	1.75	1.26	32.00
13	1.000	25.400	0.069	1.75	1.32	33.53

