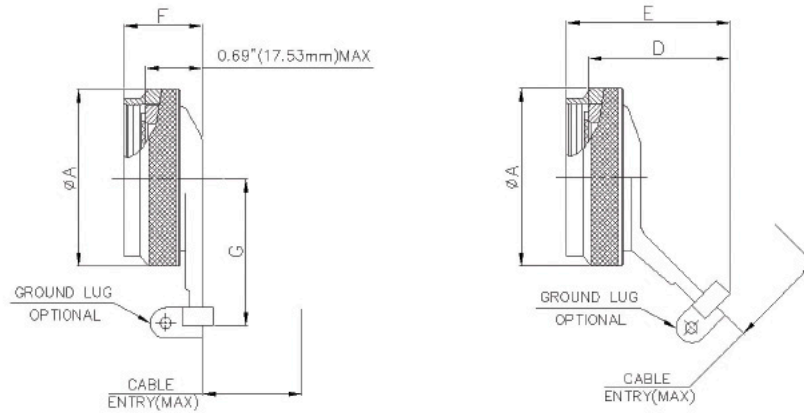


90° & 45°; SELF-LOCK/SPIN

Connector Group L

D38999 Series III & IV

M85049	/16	-	11	W
SERIES	SLASH #	COUPLING	SHELL SIZE	FINISH
	15: 45° 16: 90°	-: Spin S: Self-Lock G: Spin w/grounding lug	Table A	A: Anodized, Black N: Electroless Nickel W: Cadmium Olive Drab Z: Black Zinc Nickel



Accessories Shell Size	Connector Shell Size	A Ø Max.		D Max.		E Max.		F Max.		G Max.		Wiring Entry	
		inch	mm	inch	mm	inch	mm	inch	mm	inch	mm	inch	mm
9	9 / A	0.86	21.79	1.03	26.16	1.43	36.32	0.99	25.15	1.22	30.99	0.26	6.71
11	11 / B	0.98	24.99	1.03	26.16	1.43	36.32	0.99	25.15	1.29	32.77	0.39	9.96
13	13 / C	1.16	29.39	1.03	26.16	1.43	36.32	0.99	25.15	1.62	41.15	0.51	12.85
15	15 / D	1.28	32.49	1.09	27.69	1.93	49.02	0.99	25.15	1.66	42.16	0.63	16.03
17	17 / E	1.41	35.71	1.11	28.19	1.93	49.02	0.99	25.15	1.72	43.69	0.76	19.20
19	19 / F	1.52	38.51	1.21	30.73	2.03	51.56	0.99	25.15	1.72	43.69	0.85	21.46
21	21 / G	1.64	41.71	1.26	32.00	2.09	53.09	0.99	25.15	1.79	45.47	0.97	24.64
23	23 / H	1.77	44.91	1.30	33.02	2.09	53.09	0.99	25.15	1.85	46.99	1.10	27.81
25	25 / J	1.89	47.98	1.34	34.04	2.24	56.90	0.99	25.15	1.91	48.51	1.22	30.99

STRAIGHT; 90° & 45°; SELF-LOCK/SPIN

Connector Group J

MIL-DTL-26482 Series II; MIL-DTL-83723 Series III; AS50151; AS81703

M85049	/53	-	10	W
SERIES	SLASH #	COUPLING	DASH #	FINISH
	53: Straight 54: 45° 55: 90°	--:Spin S:Self-Lock G:Spin w/grounding Lug (90° Only) T: Self-Lock with grounding lug (only for 90°)	Table A	A: Hard Anodized Black N: Electroless Nickel W: Cadmium Olive Drab Z: Black Zinc Nickel

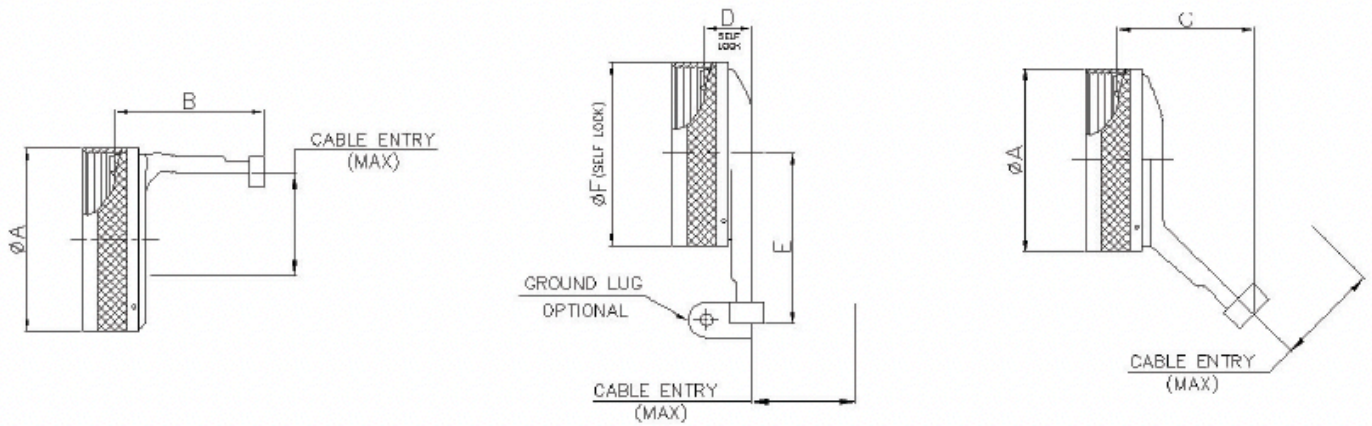


TABLE A

DASH #	Connector Shell Size	A ϕ Max.		B Max.		C Max.		D Max.		E Max.		F Dia. Max.		Wiring Entry	
		inch	mm	inch	mm	inch	mm	inch	mm	inch	mm	inch	mm	inch	mm
08	8	0.66	16.69	0.95	24.23	1.23	31.29	0.73	18.54	1.22	30.99	0.89	22.48	0.26	6.60
10	10	0.78	19.86	0.95	24.23	1.23	31.29	0.73	18.54	1.29	32.77	1.01	25.65	0.37	9.27
12	7/12/12	0.94	23.80	0.95	24.23	1.23	31.29	0.73	18.54	1.62	41.15	1.14	28.83	0.50	12.73
14	12/14	1.05	26.67	1.20	30.58	1.23	31.29	0.73	18.54	1.66	42.16	1.26	32.00	0.58	14.61
16	19/16	1.24	31.47	1.20	30.58	1.23	31.29	0.73	18.54	1.72	43.69	1.39	35.18	0.70	17.78
18	27/18	1.38	35.00	1.20	30.58	1.23	31.29	0.73	18.54	1.72	43.69	1.51	38.35	0.78	19.79
20	37/20	1.50	38.10	1.31	33.27	1.48	37.64	0.75	19.05	1.79	45.47	1.64	41.53	0.90	22.96
22	22	1.63	41.43	1.43	36.32	1.48	37.64	0.75	19.05	1.85	46.99	1.76	44.70	1.03	26.14
24	24	1.75	44.45	1.56	39.62	1.48	37.64	0.75	19.05	1.91	48.51	1.89	47.88	1.14	29.06
28	28	1.97	50.04	1.56	39.62	1.47	37.31	0.75	19.05	2.06	52.32	2.14	54.23	1.38	35.03

STRAIGHT; 90° & 45°; SELF-LOCK/SPIN

Connector Group K

D38999 Series I & II

M85049	/56	-	10	W
SERIES	SLASH #	COUPLING	DASH #	FINISH
	56: Straight 57: 45° 63: 90°	-: Spin S: Self-Lock G: Spin w/grounding Lug (/57 and /63 Only)	Table A	A: Hard Anodized Black N: Electroless Nickel W: Cadmium Olive Drab Z: Black Zinc Nickel

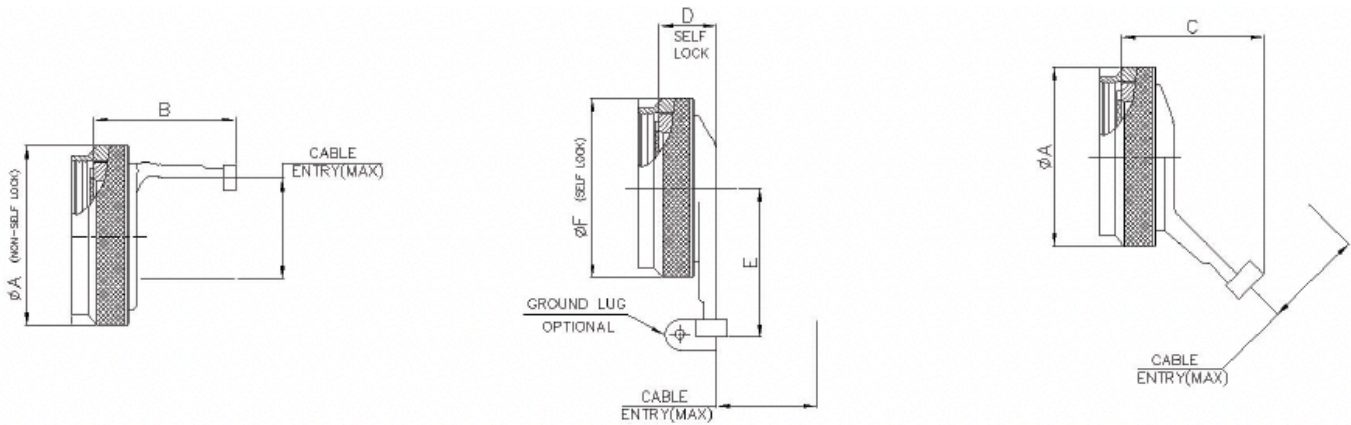


		TABLE A													
DASH #	Connector Shell Size	A Ø Max.		B Max.		C Max.		D Max.		E Max.		F Dia. Max.		Wiring Entry	
		inch	mm	inch	mm	inch	mm	inch	mm	inch	mm	inch	mm	inch	mm
8	8 / 9	0.66	16.69	0.95	24.23	1.23	31.29	0.73	18.54	1.22	30.99	0.89	22.48	0.26	6.60
10	10 / 11	0.78	19.86	0.95	24.23	1.23	31.29	0.73	18.54	1.29	32.77	1.01	25.65	0.37	9.27
12	12 / 13	0.94	23.80	0.95	24.23	1.23	31.29	0.73	18.54	1.62	41.15	1.14	28.83	0.50	12.73
14	14 / 15	1.05	26.67	1.20	30.58	1.23	31.29	0.73	18.54	1.66	42.16	1.26	32.00	0.58	14.61
16	16 / 17	1.24	31.47	1.20	30.58	1.23	31.29	0.73	18.54	1.72	43.69	1.39	35.18	0.70	17.78
18	18 / 19	1.38	35.00	1.20	30.58	1.23	31.29	0.73	18.54	1.72	43.69	1.51	38.35	0.78	19.79
20	20 / 21	1.50	38.10	1.31	33.27	1.48	37.64	0.75	19.05	1.79	45.47	1.64	41.53	0.90	22.96
22	22 / 23	1.63	41.43	1.43	36.32	1.48	37.64	0.75	19.05	1.85	46.99	1.76	44.70	1.03	26.14
24	24 / 25	1.75	44.45	1.56	39.62	1.48	37.64	0.75	19.05	1.91	48.51	1.89	47.88	1.14	29.06