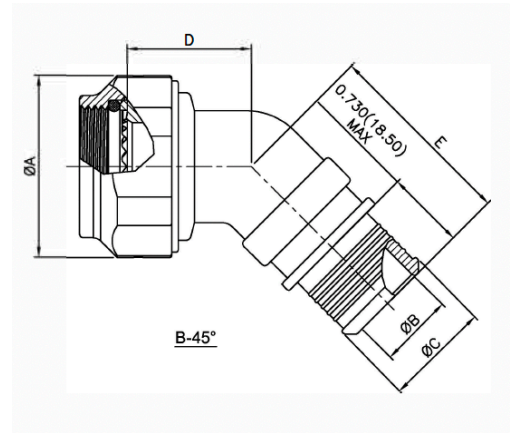
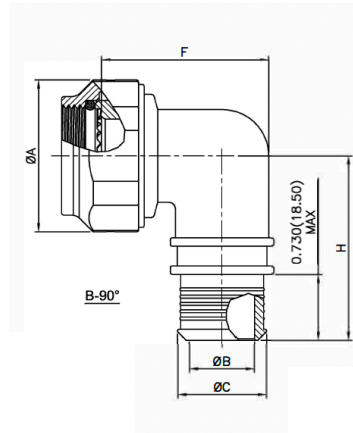
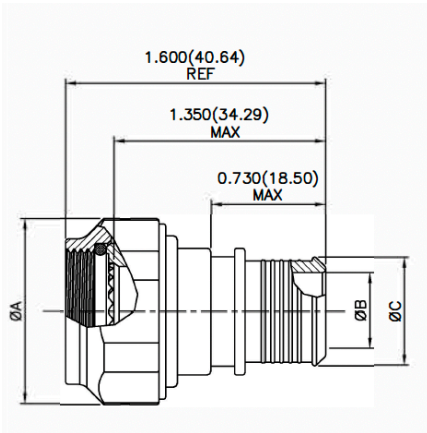


Straight, 90°, 45°

Connector Group L

D38999 Series III & IV

| | | | | | |
|--------|------------------------------------|--------------|--|---|------------|
| M85049 | 88 | - | 15 | W | 02 |
| SERIES | SLASH # | LOCK | SHELL SIZE | FINISH | ENTRY SIZE |
| | 88: Straight 89: 45° 90: 90° | Self Locking | 09 11 13 15 17 19 21 23 25 | J: Cadmium Olive Drab M: Electro Less Nickel L: Cadmium, Selective Material: Composite | Table - A |



| SHELL SIZE | CONNECTOR SHELL SIZE | ENTRY SIZE | A MAX | | B | | C Ref. | | D Max | | E Max | | F Max | | H Max | |
|------------|----------------------|------------|-------|-------|------------------|----------------|--------|-------|-------|-------|-------|-------|-------|-------|-------|-------|
| | | | inch | mm | +0.025 -0.010 | +0.64 -0.25 | inch | mm | inch | mm | inch | mm | inch | mm | inch | mm |
| | | | | | inch | mm | | | | | | | | | | |
| 09 | 9/A | 02 | 0.858 | 21.79 | N/A | N/A | N/A | N/A | 1.01 | 25.65 | 1.16 | 29.46 | 1.375 | 34.93 | 1.417 | 35.99 |
| | | 03 | | | 0.250 | 6.35 | 0.395 | 10.03 | | | | | | | | |
| 11 | 11/B | 02 | 0.984 | 24.99 | N/A | N/A | N/A | N/A | 1.03 | 26.16 | 1.19 | 30.23 | 1.437 | 36.50 | 1.480 | 37.59 |
| | | 03 | | | 0.312 | 7.92 | 0.457 | 11.61 | | | | | | | | |
| 13 | 13/C | 02 | 1.157 | 29.39 | 0.312 | 7.92 | 0.457 | 11.61 | 1.06 | 26.92 | 1.21 | 30.73 | 1.562 | 39.67 | 1.553 | 39.45 |
| | | 03 | | | 0.438 | 11.13 | 0.583 | 14.81 | | | | | | | | |
| 15 | 15/D | 02 | 1.279 | 32.49 | 0.438 | 11.13 | 0.583 | 14.81 | 1.08 | 27.43 | 1.24 | 31.50 | 1.687 | 42.85 | 1.614 | 41.00 |
| | | 03 | | | 0.562 | 14.27 | 0.707 | 17.96 | | | | | | | | |
| 17 | 17/E | 02 | 1.406 | 35.71 | 0.500 | 12.70 | 0.645 | 16.38 | 1.11 | 28.19 | 1.26 | 32.00 | 1.750 | 44.45 | 1.678 | 42.62 |
| | | 03 | | | 0.625 | 15.88 | 0.770 | 19.56 | | | | | | | | |
| 19 | 19/F | 02 | 1.516 | 38.51 | 0.625 | 15.88 | 0.770 | 19.56 | 1.12 | 28.45 | 1.27 | 32.26 | 1.875 | 47.63 | 1.773 | 45.03 |
| | | 03 | | | 0.750 | 19.05 | 0.895 | 22.73 | | | | | | | | |
| 21 | 21/G | 02 | 1.642 | 41.71 | 0.625 | 15.88 | 0.770 | 19.56 | 1.15 | 29.21 | 1.30 | 33.02 | 1.938 | 49.23 | 1.796 | 45.62 |
| | | 03 | | | 0.812 | 20.62 | 0.957 | 24.31 | | | | | | | | |
| 23 | 23/H | 02 | 1.768 | 44.91 | 0.688 | 17.48 | 0.829 | 21.06 | 1.17 | 29.72 | 1.33 | 33.78 | 2.062 | 52.37 | 1.859 | 47.22 |
| | | 03 | | | 0.938 | 23.83 | 1.083 | 27.51 | | | | | | | | |
| 25 | 25/J | 02 | 1.889 | 47.98 | 0.750 | 19.05 | 0.895 | 22.73 | 1.20 | 30.48 | 1.35 | 34.29 | 2.125 | 53.98 | 1.919 | 48.74 |
| | | 03 | | | 1.000 | 25.40 | 1.145 | 29.08 | | | | | | | | |