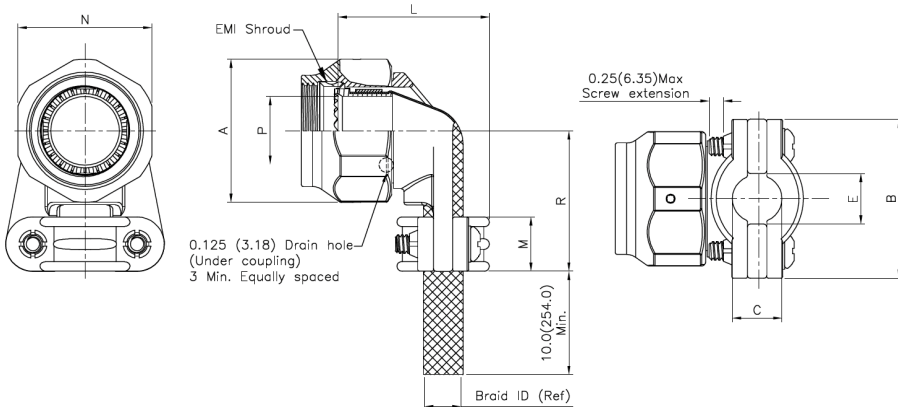


90°

Connector Group L

D38999 Series III & IV

M85049	105	-11	N
SERIES	SLASH #	SHELL SIZE	LOCK
	105: 90°	09 11 13 15 17 19 21 23 25	N: Non-detent self locking (Omit for detented self locking)



Materials & Finish
Coupling nut, strain relief, strap and self locking spring - composite in accordance with AS85049
Interface Ring, EMI Shroud - Brass/Nickel plated
Clamp Hardware - Stainless steel/passivated
Braid-Copper/nickel plated
Braid Retention device - Copper/Tin Plated

SHELL SIZE	ØA MAX		B Max		ØC		E Min		L Max		M	
	inch	mm	inch	mm	± 0.031	± 0.78	inch	mm	inch	mm	±0.031	±0.78
					inch	mm					inch	mm
09	0.858	21.79	0.98	24.89	0.265	6.73	0.229	5.82	1.128	28.65	0.375	9.53
11	0.984	24.99	1.05	26.67	0.310	7.87	0.274	6.96	1.168	29.67	0.375	9.53
13	1.157	29.39	1.20	30.48	0.390	9.91	0.354	8.99	1.248	31.70	0.406	10.31
15	1.280	32.51	1.30	33.02	0.506	12.85	0.470	11.94	1.368	34.75	0.406	10.31
17	1.406	35.71	1.44	36.58	0.591	15.01	0.555	14.10	1.448	36.78	0.406	10.31
19	1.516	38.51	1.56	39.62	0.661	16.79	0.625	15.88	1.528	38.81	0.406	10.31
21	1.642	41.71	1.69	42.93	0.744	18.90	0.708	17.98	1.648	41.86	0.406	10.31
23	1.768	44.91	1.77	44.96	0.826	20.98	0.790	20.07	1.688	42.88	0.406	10.31
25	1.890	48.01	1.89	48.01	0.896	22.76	0.860	21.84	1.758	44.65	0.406	10.31

SHELL SIZE	N				P Min		R Max		Braid ID Ref		Screw Size
	Min		Max		inch	mm	inch	mm	inch	mm	
	inch	mm	inch	mm							
09	0.736	18.69	0.750	19.05	0.264	6.71	0.94	23.88	0.375	9.53	4-40
11	0.860	21.84	0.875	22.23	0.390	9.91	1.00	25.40	0.375	9.53	4-40
13	0.980	24.89	1.000	25.40	0.504	12.80	1.12	28.45	0.500	12.70	6-32
15	1.100	27.94	1.125	28.58	0.630	16.00	1.19	30.23	0.500	12.70	6-32
17	1.224	31.09	1.250	31.75	0.756	19.20	1.37	34.80	0.781	19.84	6-32
19	1.348	34.24	1.375	34.93	0.843	21.41	1.44	36.58	0.781	19.84	6-32
21	1.469	37.31	1.500	38.10	0.969	24.61	1.56	39.62	1.000	25.40	6-32
23	1.581	40.16	1.625	41.28	1.091	27.71	1.69	42.93	1.000	25.40	6-32
25	1.690	42.93	1.750	44.45	1.217	30.91	1.81	45.97	1.250	31.75	6-32