

Amphenol SOCAPEX

RJFIELD™



TABLE OF CONTENT

About Amphenol Socapex	4
Markets and applications	8
Other solutions and related documentations	9
Concept overview and benefits	10
Ethernet standards and appropriate solutions	11
METAL RANGE	13
RJF™	14
RJF™ - Transversally sealed and hermetic receptacle	23
RJF™ - PC tails receptacle	24
RJF™ - Plug & receptacle with 360° EMI backshell	25
RJF™ - Plug for big insulation wire up to 1.6mm	26
RJ11F	29
RJFTV™	34
RJFTV™ - Transversally sealed and hermetic receptacle	43
RJFTV™ - Stand-off receptacle	44
RJFTV™ - Reduced flange receptacle	46
RJFTV™ - Through-bulkhead receptacle	48
RJFTV™ - Plug and receptacle with 360° EMI backshell	50
RJFTV™ - Plug and receptacle for big insulation wire up to 1.6mm	57
RJFTV™ - Atex Zone 2	61
RJ11FTV - Atex Zone 2	64
COMPOSITE RANGE	67
RJFRB	68
RJF544	71
CABLES AND CORDSETS	75
Cat.5e cable and cordset	76
Cat.6 cable and cordset	77
Cat.6A cable and cordset	78
Cat.7 cable and cordset	79
Cat.7 VG95218T031 cable and cordset	80
ADAPTORS AND ACCESS POINTS	83
RJ45 access point	84
RJ11 to type EN3646 - PT/451 - ABS1547 adaptor	85
RJ45 to type EN3646 - PT/451 - ABS1547 adaptor	86
RJ45 to M12 adaptor	87
RJFTV™ intercoach jumper	89
ACCESSORIES	91
Standard protective cap - RJF™	92
Standard protective cap - RJFTV™	93
Standard protective cap - RJ11F	94
Standard protective cap - RJ11FTV	95
Self-closing cap - RJF™	96
Self-closing cap - RJFTV™	97
Standard protective cap - RJFRB and RJF544	98
Panel gasket and tool	99

TABLE OF CONTENT

ASSEMBLY INSTRUCTIONS		101
RJF™		102
RJ11F		103
RJFTV™		104
RJFRB		105
RJF544		106
HOW TO ORDER		109
RJF™		110
RJF™ - Transversally sealed and hermetic		111
RJ11F		112
RJFTV™		113
RJFTV™ - Transversally sealed and hermetic		114
RJFTV™ - Stand-off receptacle		115
RJFTV™ - Reduced flange receptacle		116
RJFTV™ - Through-Bulkhead receptacle		117
RJFTV™ - Atex zone 2		118
RJ11FTV - Atex zone 2		119
RJFRB		120
RJF544		121
Cable		122
Cordset		123
Standard protective cap		124

OUR COMPANY



Proven excellence in interconnect solutions

- Since **1947**, Amphenol Socapex has prescribed, designed and manufactured reliable and innovative interconnection solutions for harsh environments, specializing in standard and customized electrical and fiber optic connectors, contacts, accessories and cabling solutions.
- Located in the **Mont Blanc region** of France and Pune in India, Amphenol Socapex serve customers in over 100 countries around the world.
- Amphenol Socapex is part of the leading supplier of interconnect systems **Amphenol**.



1100+
employees



109 M€
Net Sales 2022
71% Export - 29% France



Thyez, **France**
Pune, **India**



Our expertise has no boundaries

Integrated Production in France & India

- 24 000 m² manufacturing capacity on 2 sites
- Design and manufacturing centers in France and India
- State-of-the-art manufacturing technology

Our markets



Military



**Commercial
Aerospace**



Space



Industry



TECHNOLOGIES & INNOVATION

Engineering Laboratory



Product testing and qualification expertise in many fields:
 - Environmental, mechanical, electrical, chemical, climatic skills
 - RF and fiber optics expertise

High-Speed Expertise



Strong expertise in high-speed signals
 - 3D EM simulation software & EM models
 - Time Domain and frequency domain

Materials Expertise



Focus on materials expertise and manufacturing techniques to produce faster, smaller and stronger products
 - Advanced technology research and development: polymers, metals, platings, resins ...
 - Cutting edge characterizations of interconnects: Radio Frequency, partial discharges ...
 - 3D CAD mechanical software, simulation & analysis

Eco-responsibility



Sustainable environment approach, with pro-active management of regulations (REACH / RoHS / Conflict minerals...)
 - New materials development, plating, and suitable processes
 - Recycling and rational resources consumption

Our workshops



Our workshops located in France & India provide consistent quality adapted to your volume requirements.

Automation & Tooling : Tools for our different activities : molding, machining, assembly

Molding : Solid expertise in thermoplastic elastomer and thermoset molding

Machining : Manufacturing of cylindrical shells and rectangular shells

Screw Machining : Manufacturing of electrical contacts

Plating : Plating with cadmium, nickel, electroless nickel, silver, black zinc nickel, gold

Assembly : Connector and harness assembly (electrical & optical)

Our certifications

Product certifications : MIL-DTL38999, EN3645, EN3155, VG (VG95328, VG95319, VG96944, VG95218, VG96949)



Certified Management System



Certified Management System



Certified Management System



Certified Management System

Our memberships

Member of CMG (Connecting Manufacturing Group) Consortium

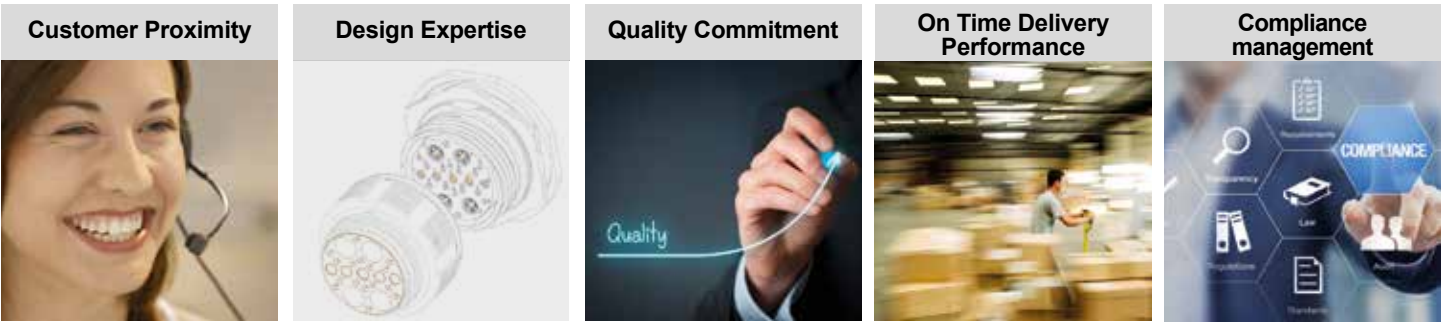


CUSTOMER EXPERIENCE



► We have a strong reputation for helping customers solve their toughest challenges. This approach of serving your needs is ingrained in our company - from our sales team to our product development engineers.

A partner you can trust



Buy our solutions

You can access our solutions through our global network of sales offices or through our distributors.

Field Sales Team :

- 10 in France
- 15 in Europe
- 100+ in North America and rest of the world.
- 5 Business Development Managers supporting local sales force Europe, North America and the rest of the world

- Technical Advisement & Multilingual Customer Service :**
20 people



Worldwide Distribution Network :

Our range of circular connectors, contacts, fiber optic connectors, PCB connectors and accessories are available thru our extensive distribution network.

It includes qualified distributors (QPL approved) for assembling MIL-DTL-38999 & derivatives and PT/451 (VG95328) connectors.

[Check our product inventory](#)



[Product Selectors & 3D Files](#)



NEW



OUR HISTORY

1947



- Socapex creation in Suresnes, France
- 1st radio connector

1956-57



- Manufacturing unit in Cluses (74), France
- Thomson-CSF becomes primary shareholder

Early 1960's



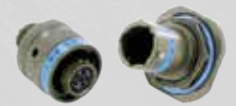
- 1st board level connectors: HE8
- 1st "licence Bendix" manufactured connectors
- SL Series

1973



- New factory in Thyez (74) France with 250 people, 13 000m²

1975



- Production of 38999 connectors

1986

Amphenol
Socapex

- Amphenol becomes primary shareholder

1995-96



- Expanded Beam connector
- CTOS launch
- Headquarters transferred to Thyez

2004



- RJ Field launch, "Award Electronica"

2005



- New factory in Pune, India

2010's



- LuxBeam™ and HDAS launch

2014-2017



- New workshops : Cable Assembly & Contact Manufacturing workshop

2019



- Increased manufacturing capacity with 2nd building in Pune, India

2022



- Harness in the box solution launch

Today & tomorrow



- New technologies : Investment in automation & technical expertise



- Amphenol SOCAPEX joins the "Convention des Entreprises pour le Climat".
- Our goal: to accelerate our transition to a more sustainable operation.

MARKETS AND APPLICATIONS



Military vehicles

Ground radios shelters
Ground vehicles
Battlefield
Communication systems



C5ISR

Threat detection system
Soldier wearable equipment
Rugges computer & digital radio
Satellite reception unit



Military Avionics & Airframe

Power unit
Aircraft
Radar
Display unit
Flight control system



Commercial Avionics & Airframe

Landing gear
Cockpit
Ground power supply
Engine Flowmeter



Missiles & UAVS

Air missiles and UAVS
Ground control station & launchers



Navy

Navigation guidance



Industrial

Automation
Transportation
Nuclear power station
Robotics



OTHER SOLUTIONS AND RELATED DOCUMENTATIONS

All our documentations are available in PDF format on our website : www.amphenol-socapex.com



Catalog USB Field™
DOC-001035-ANG



Catalog Rugged Ethernet Switch and Media Converters
DOC-001034-ANG



Brochure μCom-10Gb+
DOC-000015-ANG



Brochure TV μCom-10Gb+
DOC-001014-ANG



Brochure R/JF TV Reduced Flange
DOC-001013-ANG



Brochure USB3F TV Reduced Flange
DOC-001012-ANG



Brochure MDP FTV
DOC-001025-ANG



Brochure HDMI FTV
DOC-001036-ANG



Brochure R/JF 6A
DOC-001021-ANG



Brochure R/JF TV6A
DOC-001020-ANG



Brochure μCom & TVμCom USB3.2 Gen1
DOC-001032-ANG



Brochure CapLock & PlugLock
DOC-001043-ANG

CONCEPT OVERVIEW AND BENEFITS

5 TOP REASONS to use RJFIELD™

1 Military. Ruggedized. Connectors

Our concept is simple : use standard, well-know, military connectors as MIL-DTL-38999 series III and MIL-DTL-26482 series I to reinforce standard industrial connectors as RJ45 or USB.



2 No tool. No cabling. RJ Stop™

Our patented RJStop enables you to use a standard RJ45 cordset and mount itself without any cabling operation or tool.



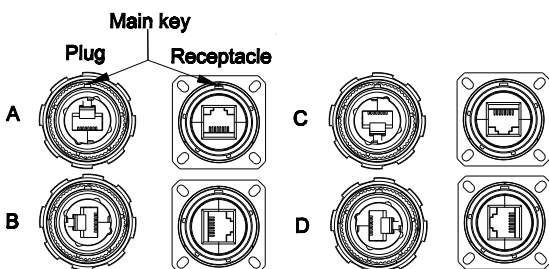
3 Electric continuity Metallized inserts

Our solutions provide a total shielding continuity per the metallisation of parts in the receptacle.



4 Four codings. Only one reference

Our connectors, plugs and receptacles, can be configured in four different codings with the same reference.



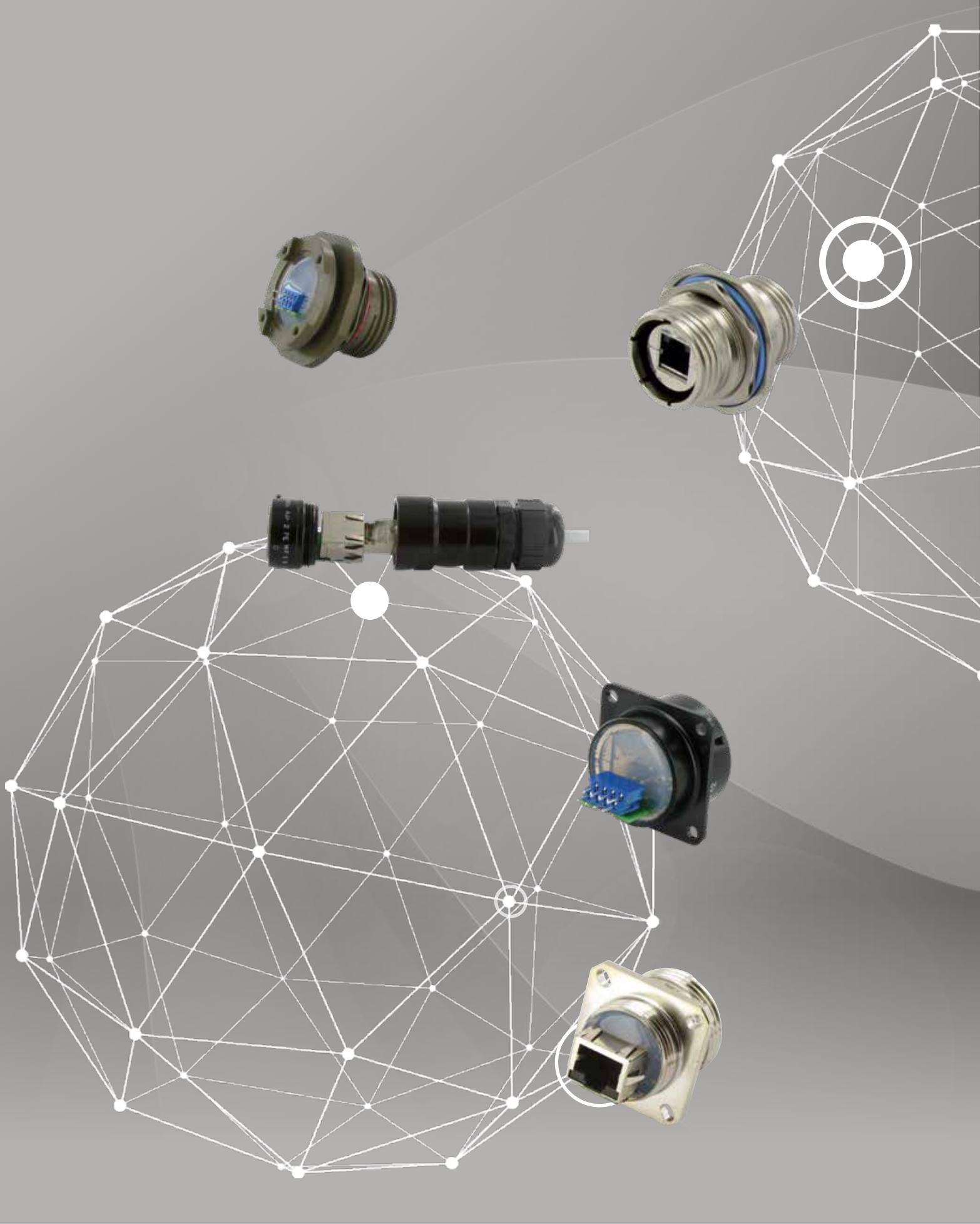
5 Modifiable. Repairable. Removal inserts

Our parts can be changed as simply as the assembly, using a dedicated tool or simply by hands. This allows to remove the cordset, change the coding option or repair the solution.



ETHERNET STANDARDS AND APPROPRIATE SOLUTIONS

	Cat.5e	Cat.6	Cat.6A	Cat.7
Standard	Ethernet Class D per ISO/IEC 11801 Cat.5e per TIA/EIA568B	Ethernet Class E per ISO/IEC 11801 Cat.6 per TIA/EIA568B	Ethernet Class Ea per ISO/IEC 11801 Cat.6A per TIA/EIA568B	Ethernet Class F per ISO/IEC 11801 Cat.7 per TIA/EIA568B
Data Rate	1 Gb/s	1 Gb/s	10 Gb/s	10 Gb/s
Frequency	100 MHz	250 MHz	500 MHz	600 MHz
RJF™	✓	✓	✓	
RJFTV™	✓	✓	✓	
RJF544	✓	✓		
RJFRB	✓	✓	✓	
Cable and cordset	✓	✓	✓	✓
Adaptor and access point	✓			



METAL RANGE



Table of contents

METAL RANGE	13
RJF™	14
RJF™ - Transversally sealed and hermetic receptacle	23
RJF™ - PC tails receptacle	24
RJF™ - Plug & receptacle with 360° EMI backshell	25
RJF™ - Plug for big insulation wire up to 1.6mm	26
RJ11F	29
RJFTV™	34
RJFTV™ - Transversally sealed and hermetic receptacle	43
RJFTV™ - Stand-off receptacle	44
RJFTV™ - Reduced flange receptacle	46
RJFTV™ - Through-bulkhead receptacle	48
RJFTV™ - Plug and receptacle with 360° EMI backshell	50
RJFTV™ - Plug and receptacle for big insulation wire up to 1.6mm	57
RJFTV™ - Atex Zone 2	61
RJ11FTV - Atex Zone 2	64



Description

This connector has been Amphenol's best seller for decades. This RJF™ connector dedicated for Ethernet transmission is a derivative from MIL-DTL-26482 J with a shell size 18. The bayonet coupling is quick, audible and visual, facilitating the data transmission and acquisition in harsh environment.

This solution has several advantages. The assembly of your solutions is easy to install because you don't need any tool, thanks to the patented RJStop system. You can choose between four different codings on the plug and receptacle side. With the help of the dedicated tool, you can remove the insert of the receptacle in order to change the coding if needed. You can also use it for reparation or maintenance. Everything can be done in place. The complete solution is metallized and united when connected in order to transmit the electrical continuity from the cordset to the panel.

The following pages list all complementary configurations that you might need on your system such as sealed and hermetic receptacles, 360° EMI solutions for reinforced shielding or whether special plugs for big insulations wire.

Main features

MAIN CHARACTERISTICS

- Bayonet coupling ("Audible & Visual" coupling signal)
- Robust metallic shells based on MIL-DTL-26482 J - Shell size 18
- RJ45 cordset retention in the plug: 100 N in the axis
- Mating cycles: 500 min
- Sealed against fluids and dust (IP68)
- Shock, vibration and traction resistant
- No cabling operation in field and no tools required
- Mechanical coding / polarization (4 positions)
- Compatible with cable diameter from 6 mm [0.236 in] to 12 mm [0.512 in]. For smaller diameters, please consult us.

ENVIRONMENTAL PROTECTION

- Sealing: IP68
- Salt spray:
 - 48 h with nickel plating over aluminium shell ✓
 - 96 h with black coating over aluminium shell ✓
 - 500 h black zinc nickel over aluminium shell ✓
 - 500 h with olive drab cadmium over aluminium shell
- Fire retardant / Low smoke: UL94 V0 and EN45545
- Vibrations: 10-500Hz, 10g, 3 axes: no discontinuity >10 nano s
- Shocks: IK06 ► weight of 250 g drop from 40cm [15.75 in] onto connectors (mated pair)
- Humidity: 21 days, 43°C, 98% humidity
- Temperature range: -40°C / +85°C

DATA TRANSMISSION

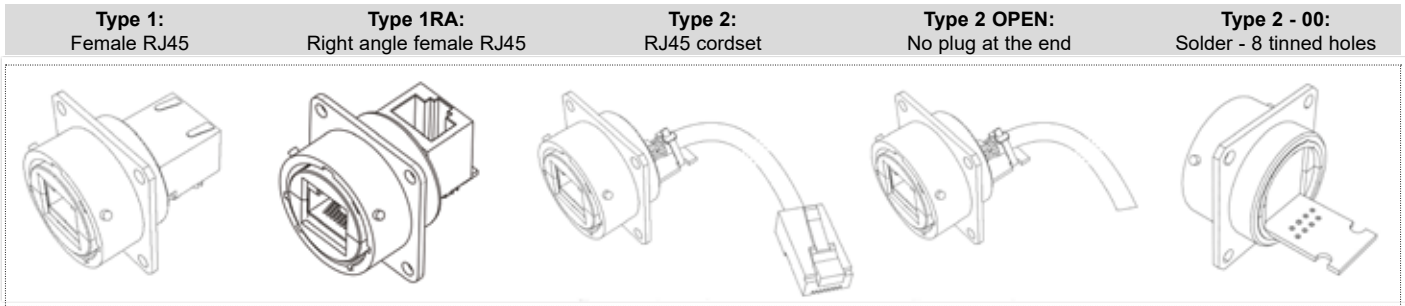
- 10 BaseT, 100 BaseTX and 1000 BaseT networks
- Cat.5e per TIA/EIA 568B and ClassD per ISO/IEC 11801
- Cat.6 per TIA/EIA 568B and ClassE per ISO/IEC 11801
- Cat.6A per TIA/EIA 568B and ClassEa per ISO/IEC 11801

APPLICATIONS

- Battlefield communication systems
- C5ISR
- Data acquisition and transmission in harsh environment
- Navy
- Rail Mass Transit
- Industrial process control
- Robotics
- CNC machines
- Oil & Gas

How to order : Please refer to page 110

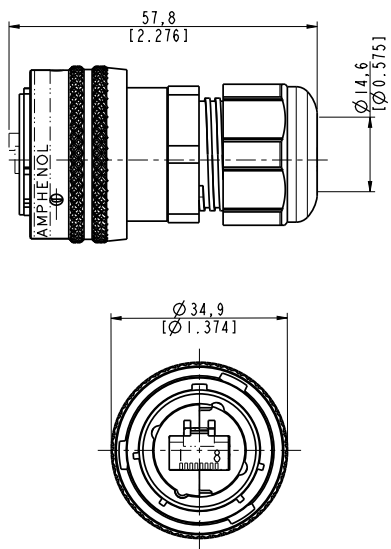
Back terminations



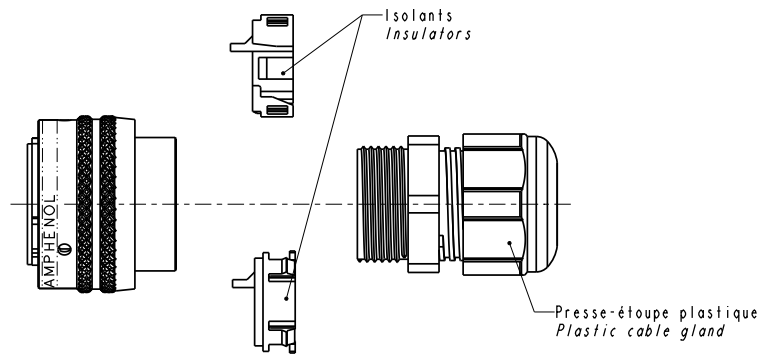
Overall dimension

Plug - Shell type 6 - Plastic gland

Part number type : **RJF 6 X**

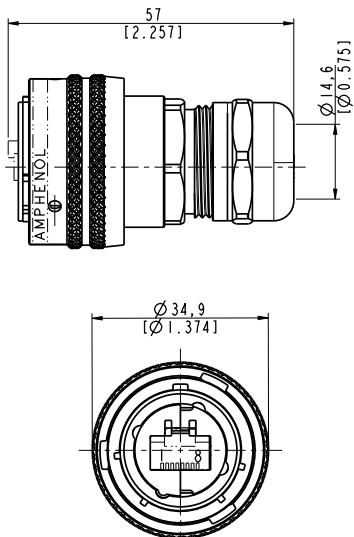


Components

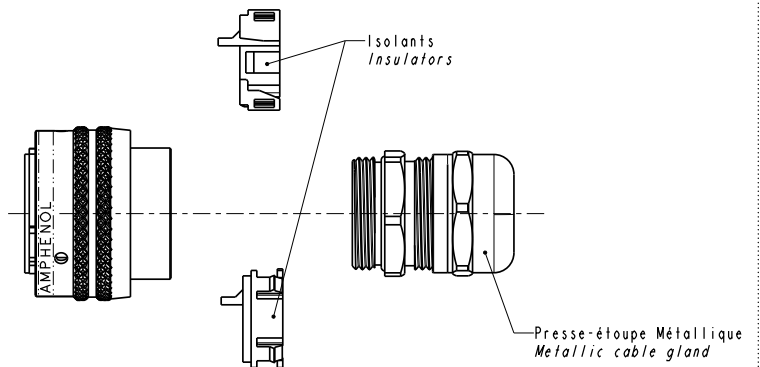


Plug - Shell type 6 - Metal gland

Part number type : **RJF 6M X**



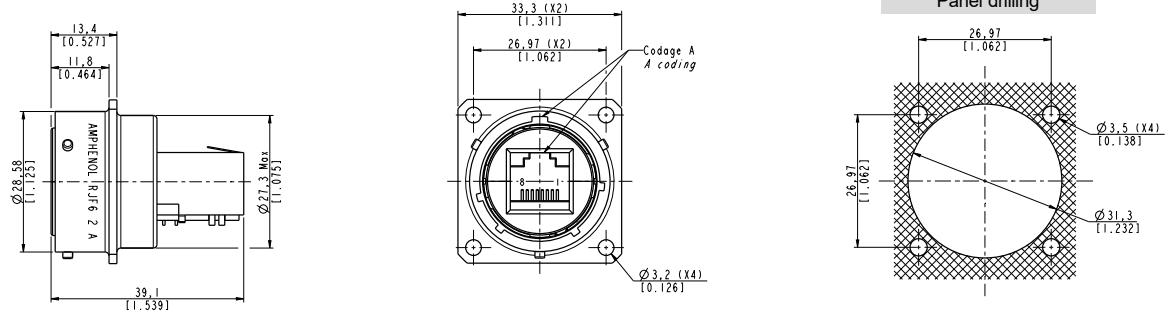
Components



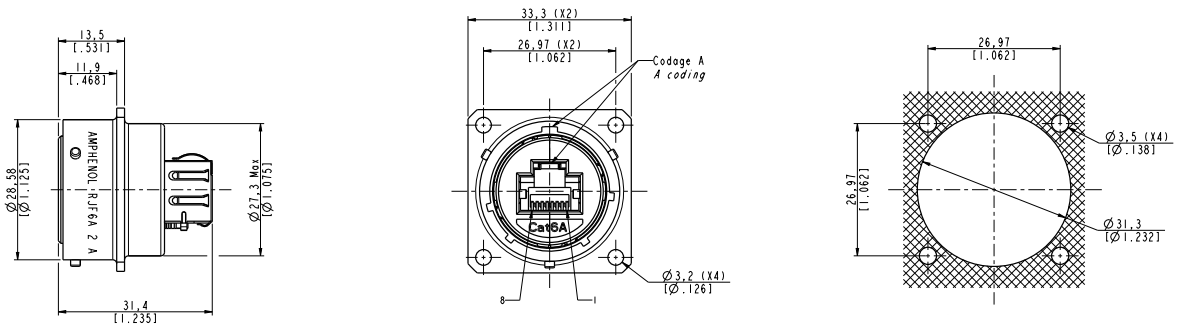
Overall dimension

Receptacle - Square flange receptacle - 4 mounting holes - Shell type 2 - Back termination type 1

Part number type (Cat.5e) : **RJF 2 1 X**
 Part number type (Cat.6) : **RJF 6 2 X 1 X**

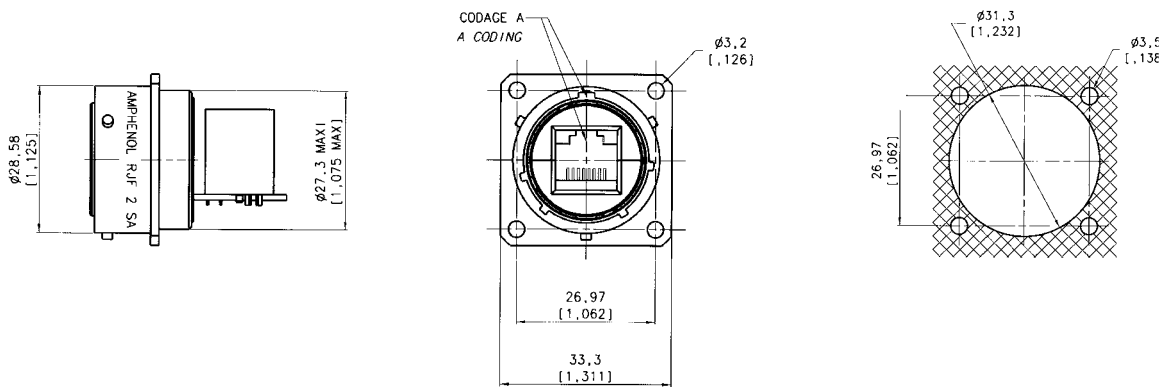


Part number type (Cat.6A) : **RJF 6A 2 X 1 X**

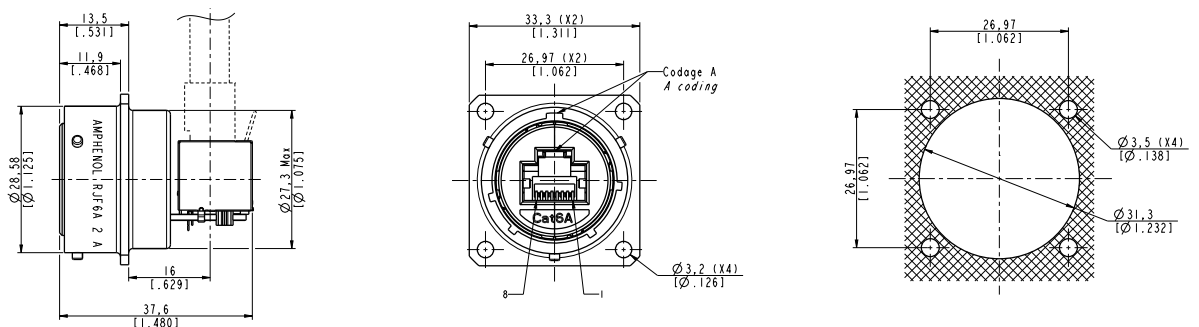


Receptacle - Square flange receptacle - 4 mounting holes - Shell type 2 - Back termination type 1RA

Part number type (Cat.5e) : **RJF 2 1RA X**



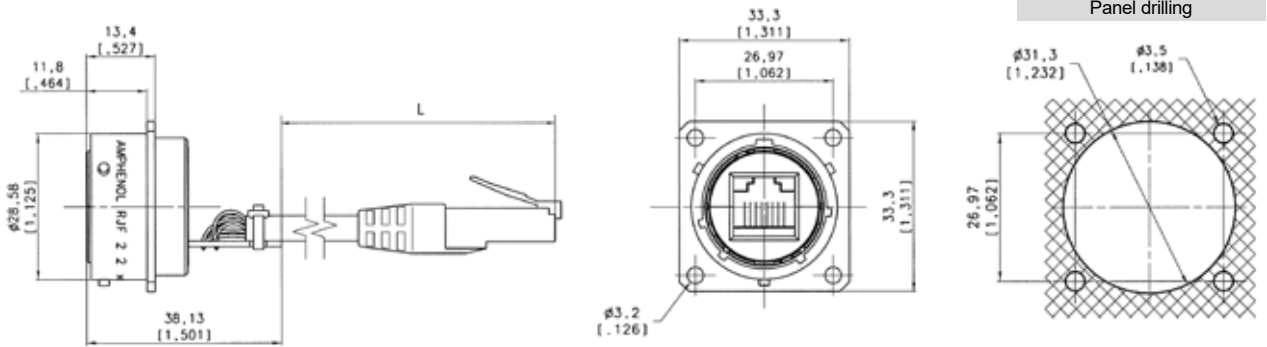
Part number type (Cat.6A) : **RJF 6A 2 X 1RA X**



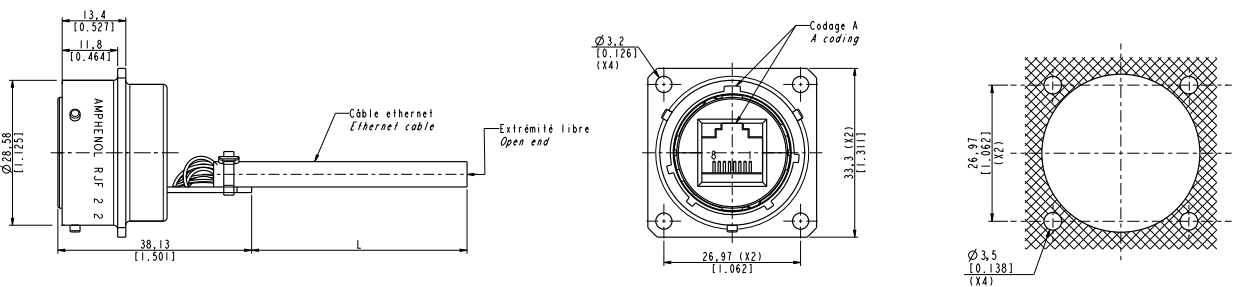
Overall dimension

Receptacle - Square flange receptacle - 4 mounting holes - Shell type 2 - Back termination type 2

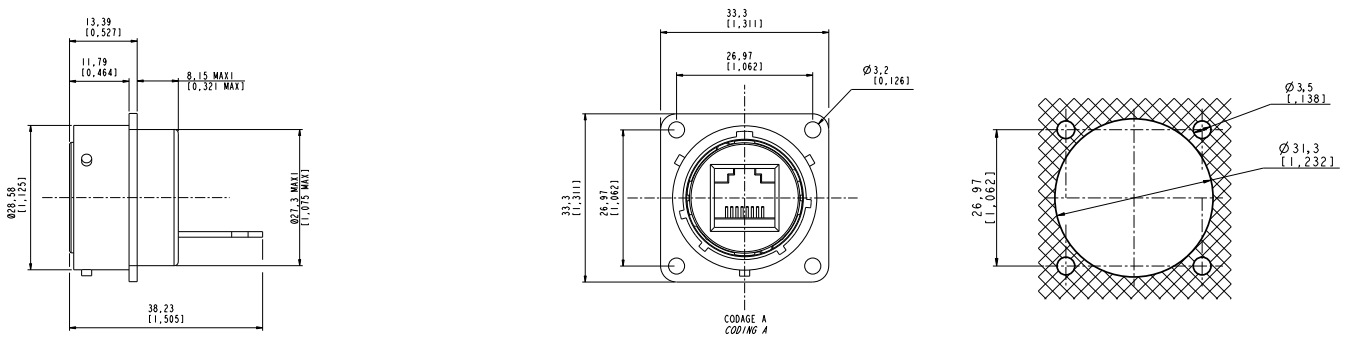
Part number type (Cat.5e) : **RJF 2 2 X XX 100BTX**



Part number type (Cat.5e) : **RJF 2 2 X XX OPEN**



Part number type (Cat.5e) : **RJF 2 2 X 00**



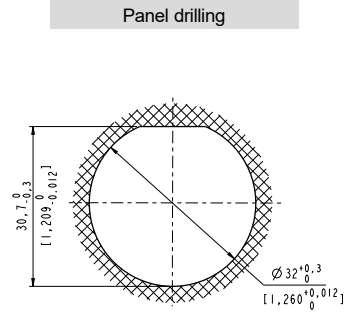
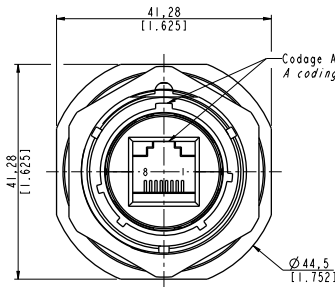
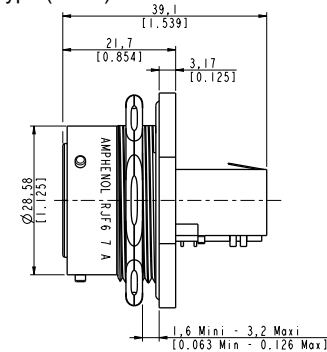
Important note:

- To choose your coding orientation, please refer to "Assembly instructions" page 102

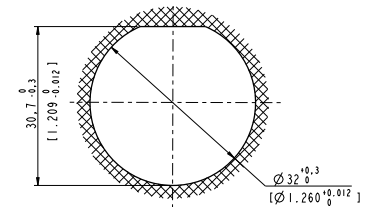
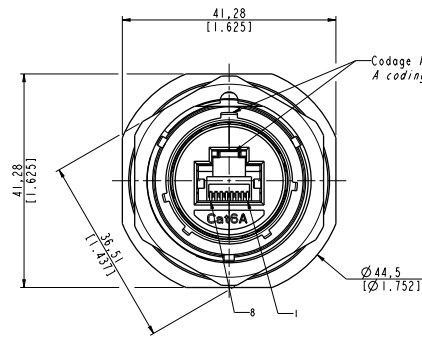
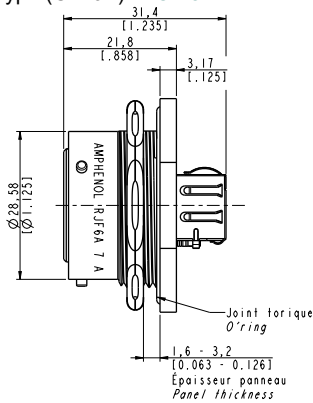
Overall dimension

Receptacle - Jam nut receptacle - Hexagonal nut mounting - Shell type 7 - Back termination type 1

Part number type (Cat.5e) : **RJF 7 1 X**
 Part number type (Cat.6) : **RJF 6 7 X 1 X**

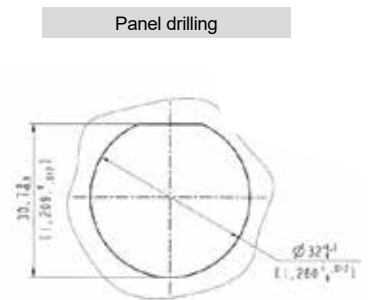
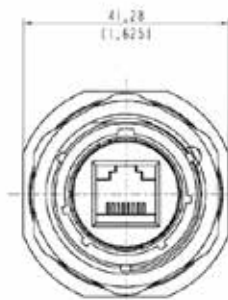
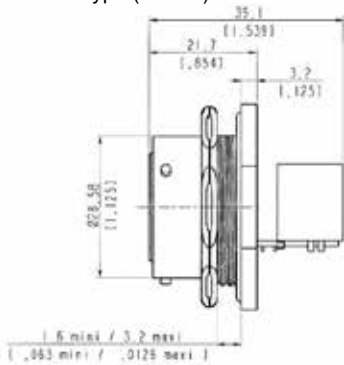


Part number type (Cat.6A) : **RJF 6A 7 X 1 X**

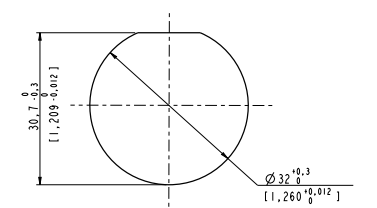
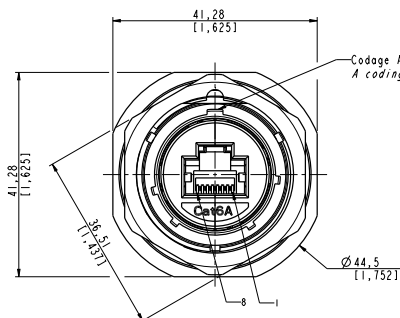
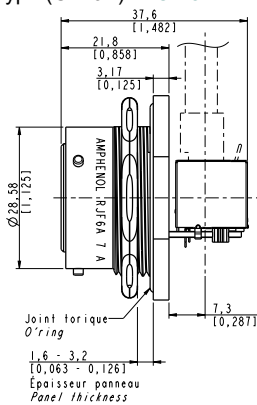


Receptacle - Jam nut receptacle - Hexagonal nut mounting - Shell type 7 - Back termination type 1RA

Part number type (Cat.5e) : **RJF 7 1RA X**



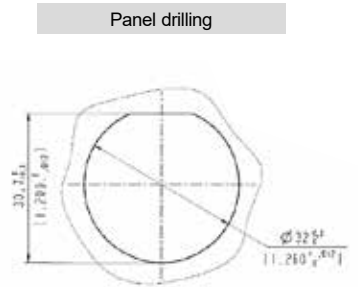
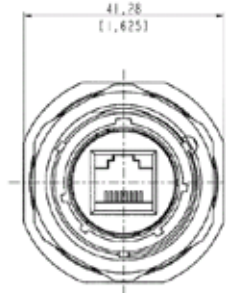
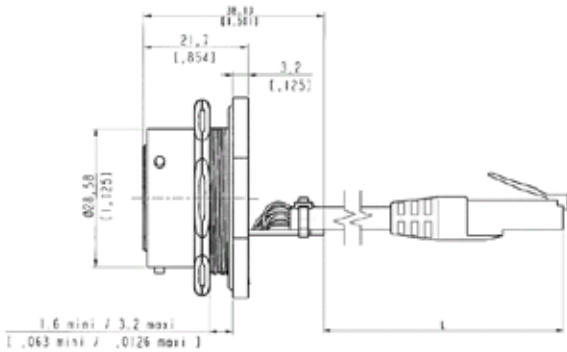
Part number type (Cat.6A) : **RJF 6A 7 X 1RA X**



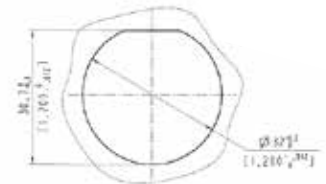
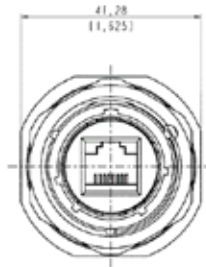
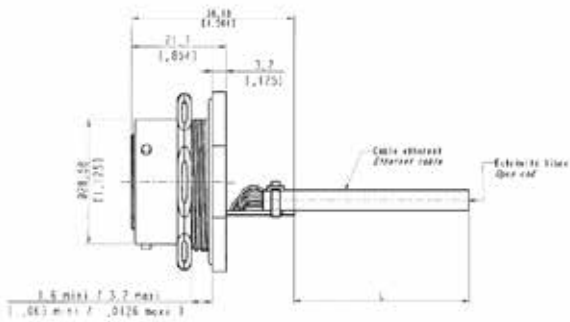
Overall dimension

Receptacle - Jam nut receptacle - Hexagonal nut mounting - Shell type 7 - Back termination type 2

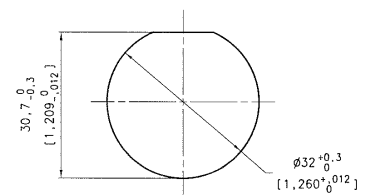
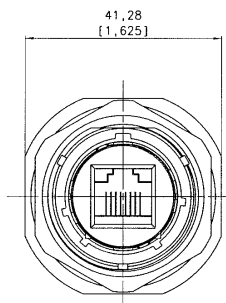
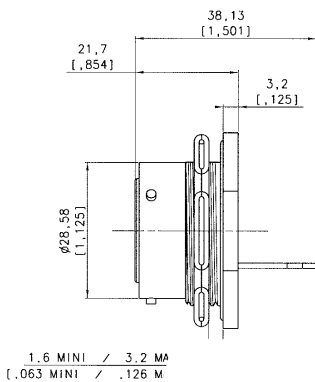
Part number type (Cat.5e) : **RJF 7 2 X XX 100BTX**



Part number type (Cat.5e) : **RJF 7 2 X XX OPEN**



Part number type (Cat.5e) : **RJF 7 2 X 00**



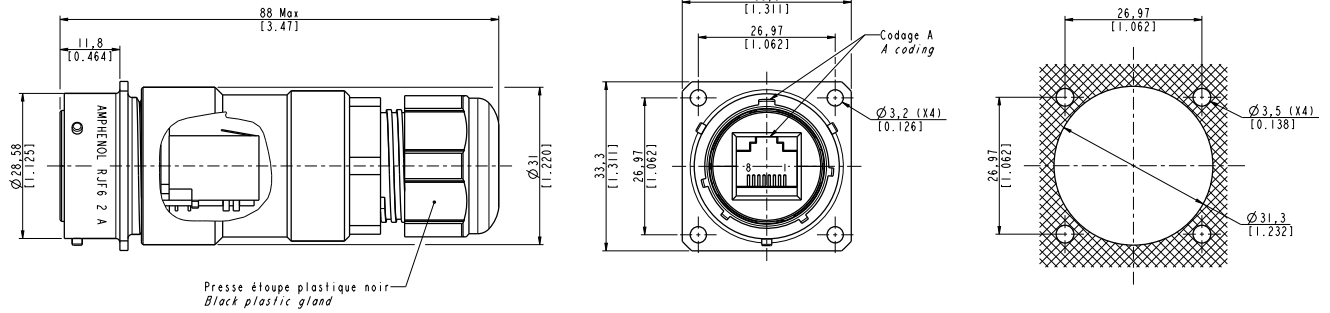
Important note:

- To choose your coding orientation, please refer to "Assembly instructions" page 102

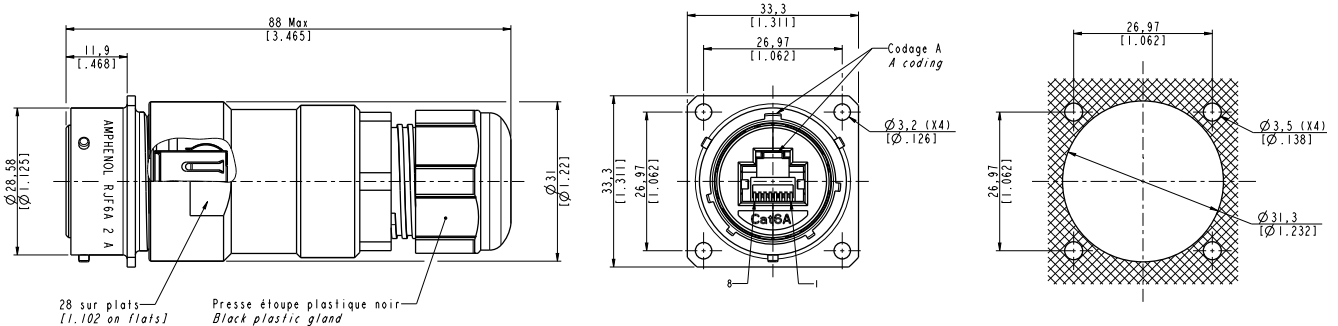
Overall dimension

Receptacle - Square flange receptacle - 4 mounting holes - Shell type 2 - Backshell with plastic gland

Part number type (Cat.5e) : **RJF 2 PE 1 X**
 Part number type (Cat.6) : **RJF 6 2 X PE 1 X**

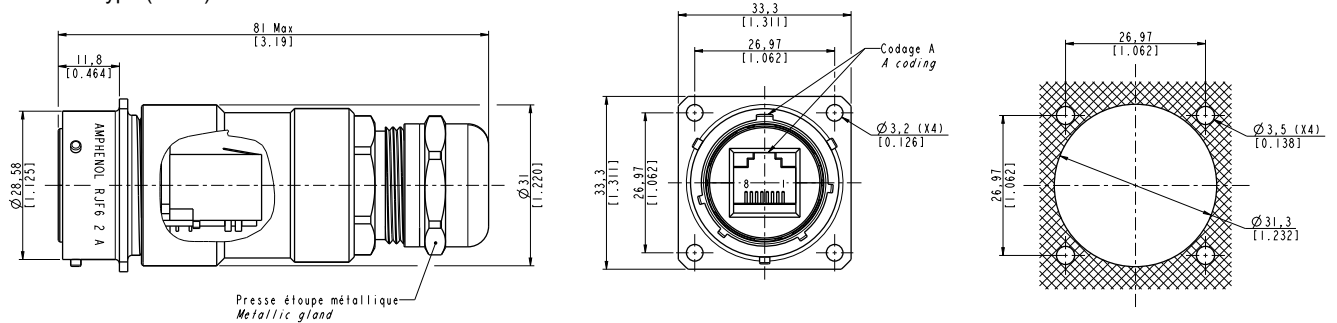


Part number type (Cat.6A) : **RJF 6A 2 X PE 1 X**

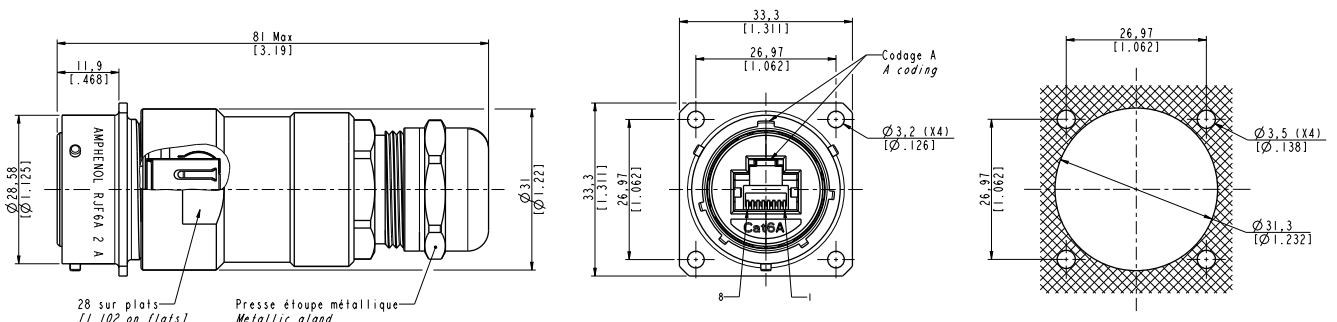


Receptacle - Square flange receptacle - 4 mounting holes - Shell type 2 - Backshell with metallic gland

Part number type (Cat.5e) : **RJF 2 PEM 1 X**
 Part number type (Cat.6) : **RJF 6 2 X PEM 1 X**



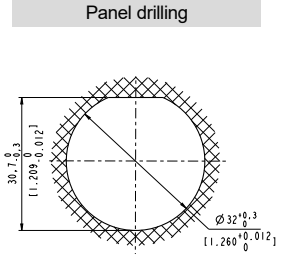
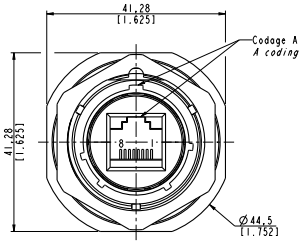
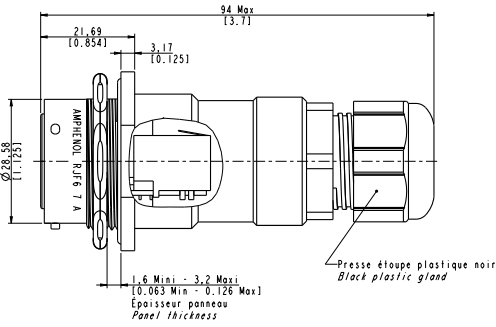
Part number type (Cat.6A) : **RJF 6A 2 X PEM 1 X**



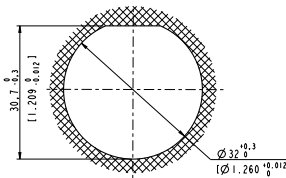
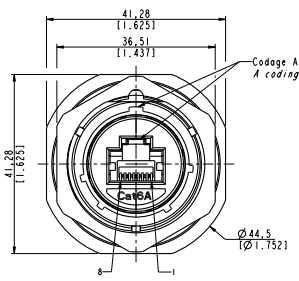
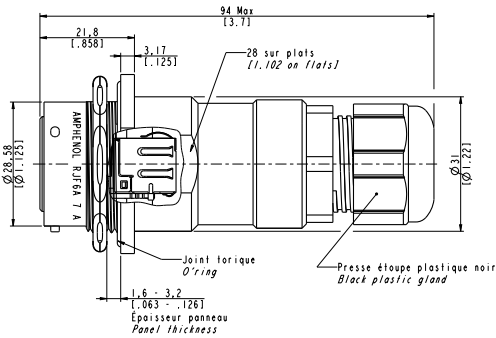
Overall dimension

Receptacle - Jam nut receptacle - Hexagonal nut mounting - Shell type 7 - Backshell with plastic gland

Part number type (Cat.5e) : **RJF 7 PE 1 X**
 Part number type (Cat.6) : **RJF 6 7 X PE 1 X**

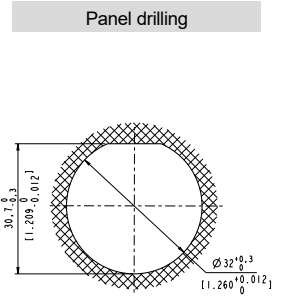
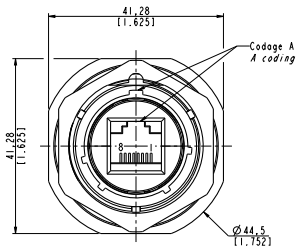
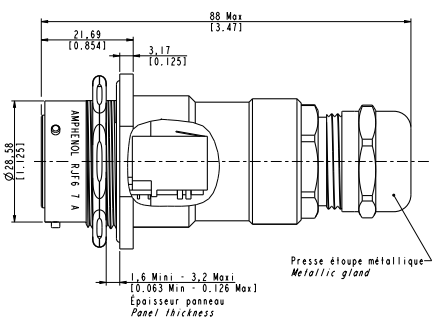


Part number type (Cat.6A) : **RJF 6A 7 X PE 1 X**

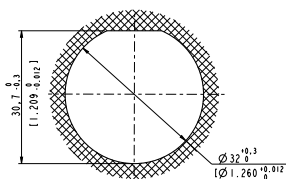
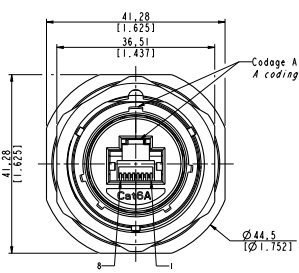
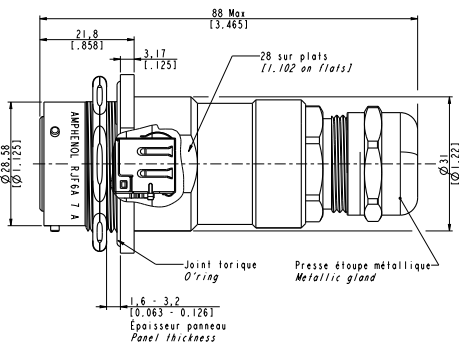


Receptacle - Jam nut receptacle - Hexagonal nut mounting - Shell type 7 - Backshell with metallic gland

Part number type (Cat.5e) : **RJF 7 PEM 1 X**
 Part number type (Cat.6) : **RJF 6 7 X PEM 1 X**



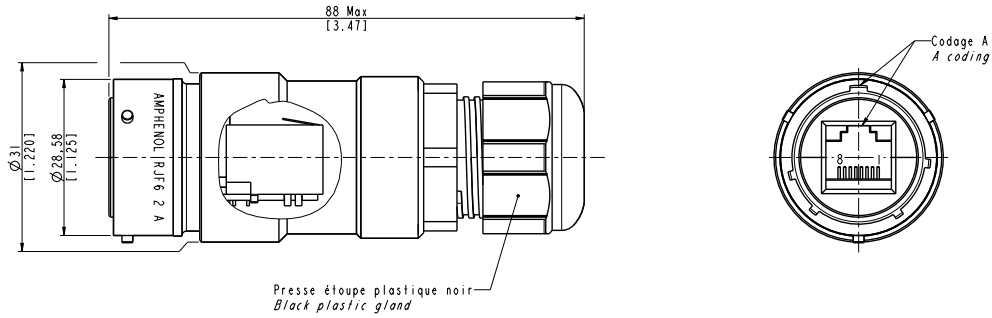
Part number type (Cat.6A) : **RJF 6A 7 X PEM 1 X**



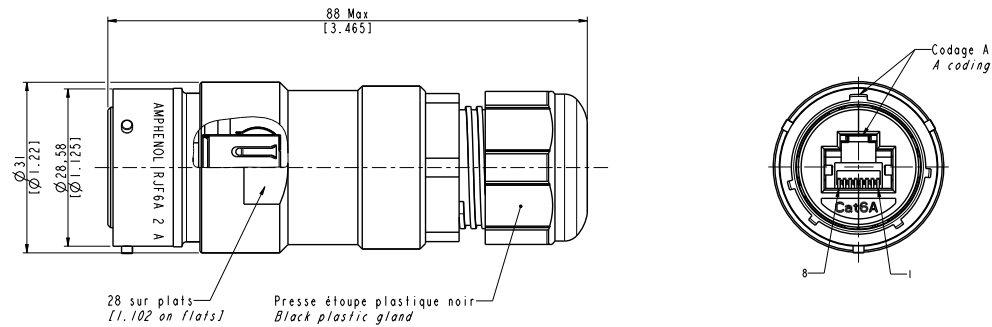
Overall dimension

Receptacle - In line receptacle - Without flange - Plastic gland

Part number type (Cat.5e) : **RJF 2 PEWF 1 X**
 Part number type (Cat.6) : **RJF 6 2 X PEWF 1 X**

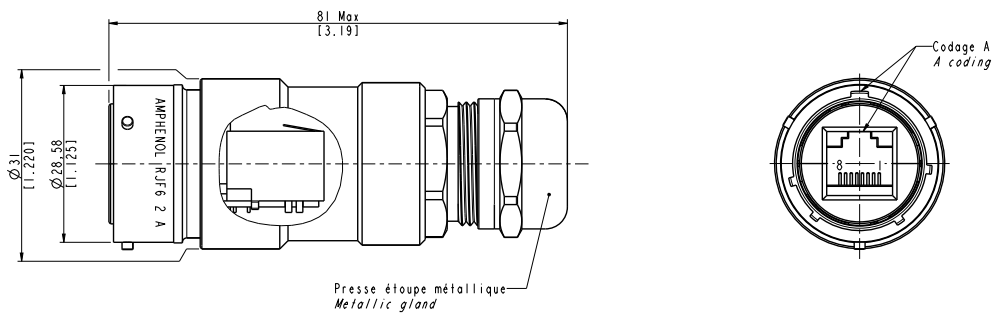


Part number type (Cat.6A) : **RJF 6A 2 X PEWF 1 X**

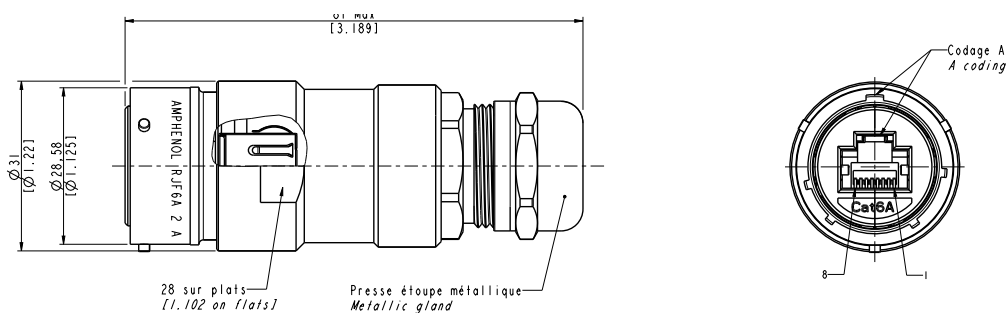


Receptacle - In line receptacle - Without flange - Metal gland

Part number type (Cat.5e) : **RJF 2 PEMWF 1 X**
 Part number type (Cat.6) : **RJF 6 2 X PEMWF 1 X**



Part number type (Cat.6A) : **RJF 6A 2 X PEMWF 1 X**



RJF™ - TRANSVERSALLY SEALED AND HERMETIC RECEPTACLE



Description

The transversally sealed receptacle is in all aspects equivalent to the standard and in addition, is improved with compound at the rear of the receptacle. This prevents the sealing of the receptacle when unmated with his plug or protective cap.

The hermetic solution, as the transversally sealed one, is compounded at the rear of the receptacle. Helium leakage is less than 1.10^{-6} cm³ per second [0.1 micron cubit ft per hour] at one bar [15 psi] pressure differential. The test is 100% done on all of these hermetic receptacles.

Main features

MAIN CHARACTERISTICS

- Robust metallic shells based on MIL-DTL-26482 J - Shell size 18
- A complete IP68 sealing of the receptacle (even with no plug or no protective cap mated) is added
- External dimensions are the same as the standard RJF™ series- Bayonet coupling ("Audible & Visual" coupling signal)
- RJ45 cordset retention in the plug: 100 N in the axis
- Mating cycles: 500 min
- Mechanical coding / polarization (4 positions)

DATA TRANSMISSION

- 10 BaseT, 100 BaseTX and 1000 BaseT networks
- Cat.5e per TIA/EIA 568B and ClassD per ISO/IEC 11801
- Cat.6 per TIA/EIA 568B and ClassE per ISO/IEC 11801
- Cat.6A per TIA/EIA 568B and ClassEa per ISO/IEC 11801

ENVIRONMENTAL PROTECTION

- Sealing: IP68
- Salt Spray:
 - 48 h with nickel plating over aluminium shell ✓
 - 96 h with black coating over aluminium shell ✓
 - 500 h black zinc nickel over aluminium shell ✓
 - 500 h with olive drab cadmium plating over aluminium shell
- Fire retardant/Low smoke: UL94 V0 and EN45545
- Vibrations: 10 – 500 Hz, 10 g, 3 axes: no discontinuity >10 nano s.
- Shocks: IK06 ► weight of 250 g drop from 40 cm [15.75 in] onto connectors (mated pair)
- Humidity: 21 days, 43°C, 98% humidity
- Temperature range: - 40°C / +85°C

APPLICATIONS

- Battlefield communication systems
- C5ISR
- Data acquisition and transmission in harsh environment
- Optronics
- Navy
- Rail Mass Transit
- Industrial process control
- Robotics
- CNC machines
- Oil & Gas

Important note:

- Due to the compound, the coding orientation has to be define in the reference.
- To choose your coding orientation, please refer to "Assembly instructions" page 102

How to order : Please refer to page 111

RJF™ - PC TAILS RECEPTACLE

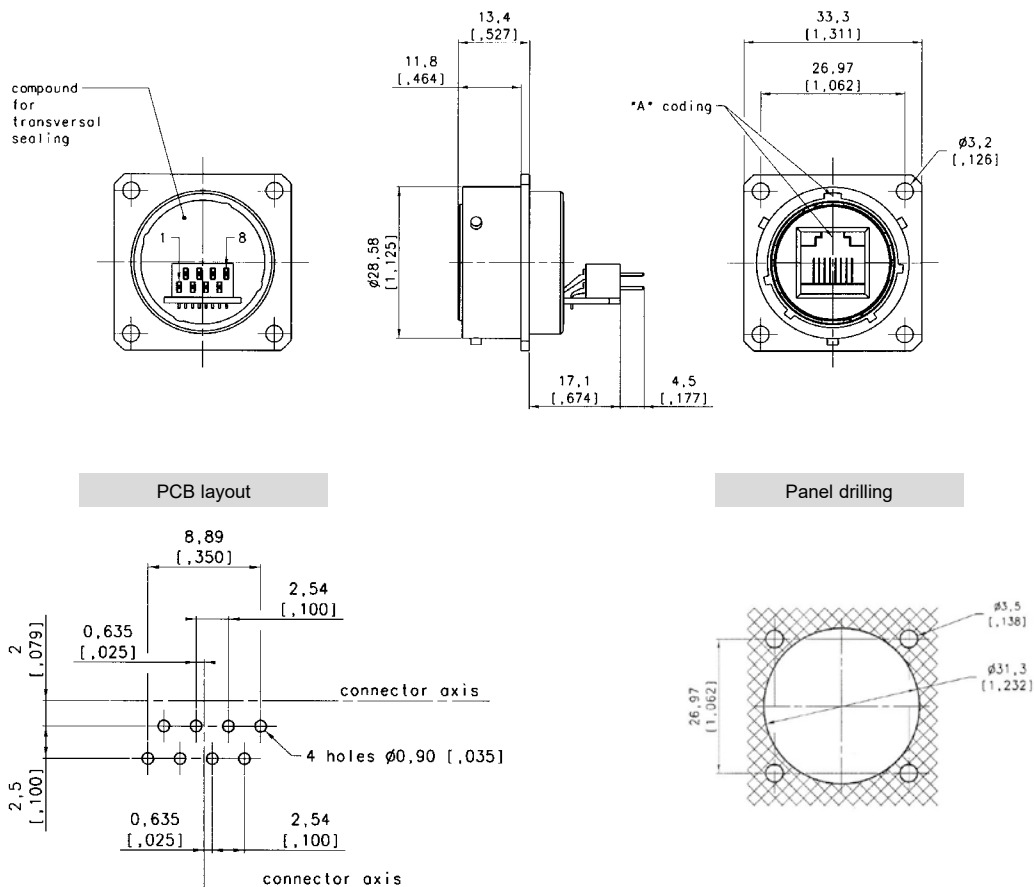


Description

These receptacles can be soldered directly on your PCB. A compound insures a transversal sealing and good performance in high vibration environments. They can be connected with standard RJF™ plugs.

Overall dimension

Receptacle - Square flange receptacle - 4 mounting holes - Shell type 2 - PC tails receptacle



Important note:

- Due to the compound, the coding orientation has to be define in the reference.
- To choose your coding orientation, please refer to "Assembly instructions" page 102

Data transmission	Part number	Plating
Cat.5e	RJF 2S X 5 B	Black coating ✓
	RJF 2S X 5 N	Nickel ✓
	RJF 2S X 5 G	Olive drab cadmium
	RJF 2S X 5 ZN	Black zinc Nickel ✓

✓ : RoHS compliant

RJF™ - PLUG AND RECEPTACLE WITH 360° EMI BACKSHELL

Description

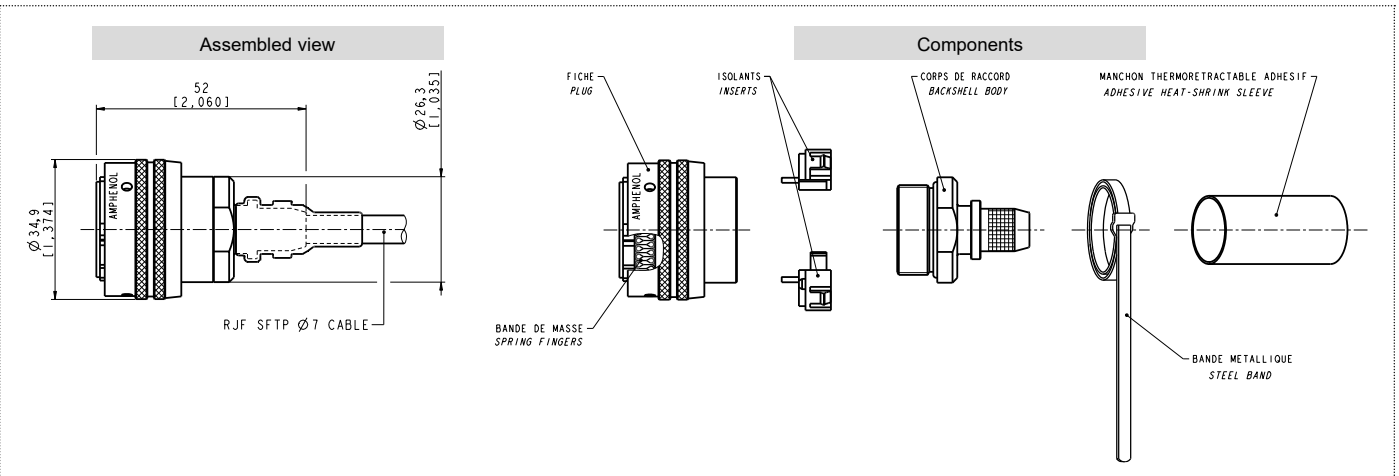
This RJF™ kit includes all components necessary to build up a totally 360° EMI shield solution. Receptacle kits are mainly composed of a 360° backshell and the RJF PCB receptacle with 8 tinned holes for solder termination. With those receptacle kits provided without cable, you will have to solder your cable on the PCB. The plug kit is composed with the 360° backshell where you will have to include your own RJ45 cordset. You can find below, wires and shielding wire cabling specification.

We recommend to use our reinforced Ethernet cables. If you prefer to use your own cable, please check with us compatibility.

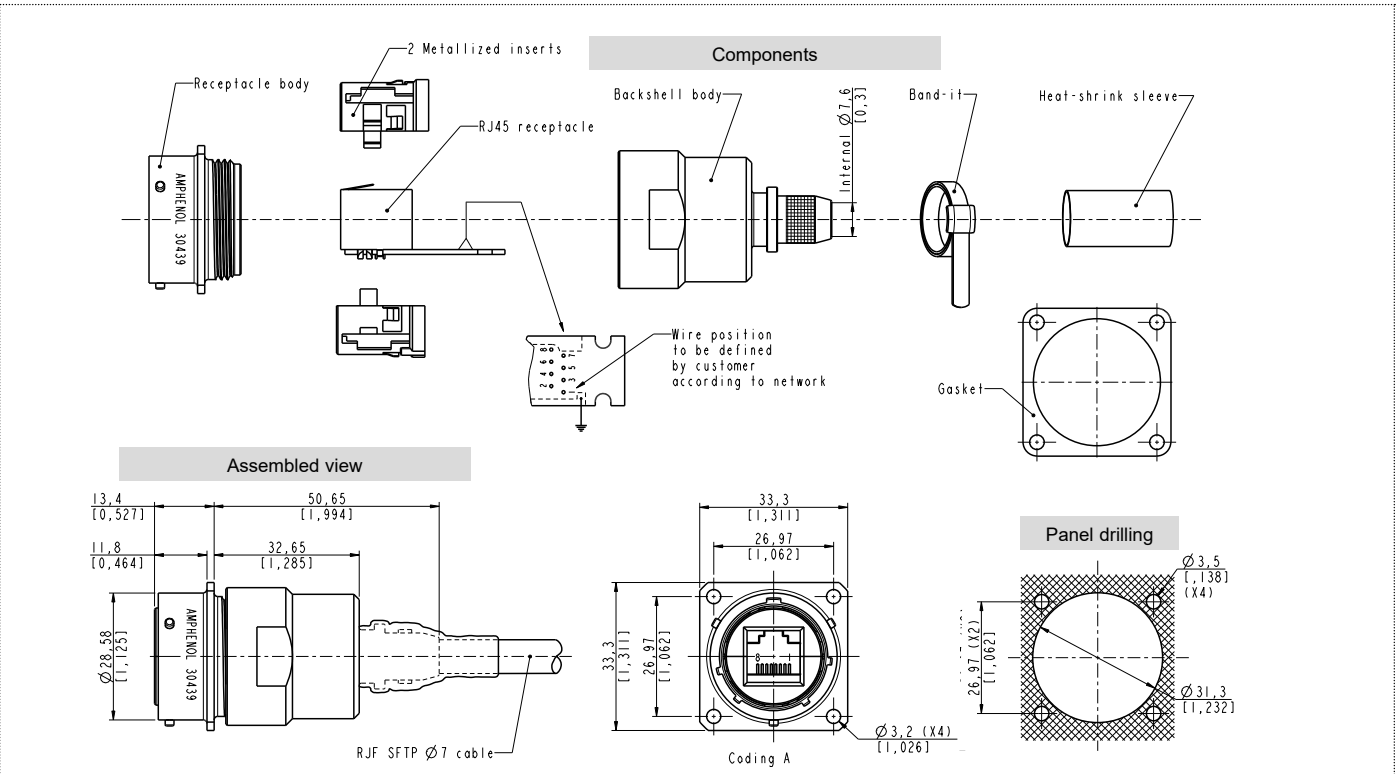
In case you would like to receive a complete 360° EMI shield receptacle already mounted with a specific length of cable, please consult us.

Overall dimension

Plug - Shell type 6 - Straight 360° EMI backshell



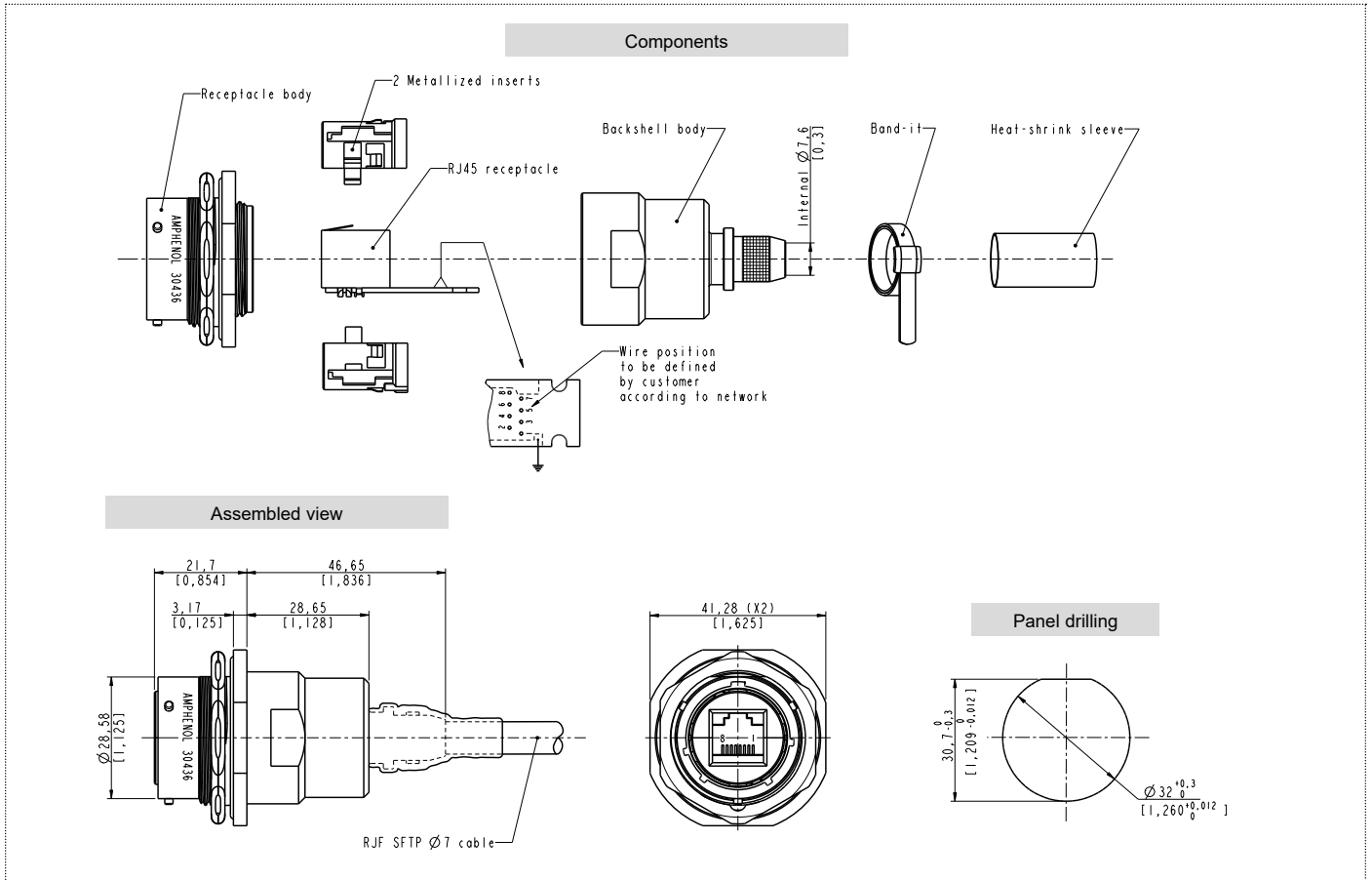
Receptacle - Square flange receptacle - 4 mounting holes - Shell type 2 - Straight 360° EMI backshell



RJF™ - PLUG AND RECEPTACLE WITH 360° EMI BACKSHELL

Overall dimension

Receptacle - Jam nut receptacle - Hexagonal nut mounting - Shell type 7 - Straight 360° EMI backshell



Data transmission	Part number	Shell type	Plating
Cat.5e	KIT30394N	Plug	Nickel ✓
	KIT30394		Olive drab cadmium
	KIT30394ZN		Black zinc nickel ✓
	KIT30439N		Nickel ✓
	KIT30439	Square flange receptacle	Olive drab cadmium
	KIT30439ZN		Black zinc nickel ✓
	KIT30436N		Nickel ✓
	KIT30436		Jam nut receptacle
KIT30436ZN	Black zinc nickel ✓		

✓ : RoHS compliant

RJF™ - PLUG FOR BIG INSULATION WIRE UP TO 1.6 MM

Description

This RJF™ kit is composed of necessary components to assemble a RJF™ plug, particularly if you foresee to use a large ethernet cable. The plug kit is composed by a specific RJ45 Cat6A plug that should be crimped to the cable. The adhesive metal tape and the heat shrink boot provide a proper finish and a electrical insulation. Finally the RJStop included in this kit, is perfectly adapted to the RJ45 Cat6A plug.

Main features

MAIN CHARACTERISTICS

- Bayonet coupling (“Audible & Visual” coupling signal)
- Robust metallic shells based on MIL-DTL-26482 J - Shell size 18
- RJ45 cordset retention in the plug: 100 N in the axis
- Mating cycles: 500 min
- Sealed against fluids and dust (IP68)
- Shock, vibration and traction resistant
- Mechanical coding / polarization (4 positions)
- Compatible with cable diameter from 6 mm [0.216 in] to 13 mm [0.512 in], for smaller diameters, please consult us

DATA TRANSMISSION

- 10 BaseT, 100 BaseTX and 1000 BaseT networks
- Cat.6A per TIA/EIA 568B and ClassEa per ISO/IEC 11801

ENVIRONMENTAL PROTECTION

- Sealing: IP68
- Salt Spray:
 - 48 h with nickel plating over aluminium shell ✓
 - 96 h with black coating over aluminium shell ✓
 - 500 h black zinc nickel over aluminium shell ✓
 - 500 h with olive drab cadmium plating over aluminium shell
- Fire retardant/Low smoke: UL94 V0 and EN45545
- Vibrations: 10 – 500 Hz, 10 g, 3 axes: no discontinuity >10 nano s.
- Shocks: IK06 ► weight of 250 g drop from 40 cm [15.75 in] onto connectors (mated pair)
- Humidity: 21 days, 43°C, 98% humidity
- Temperature range: - 40°C / +85°C

APPLICATIONS

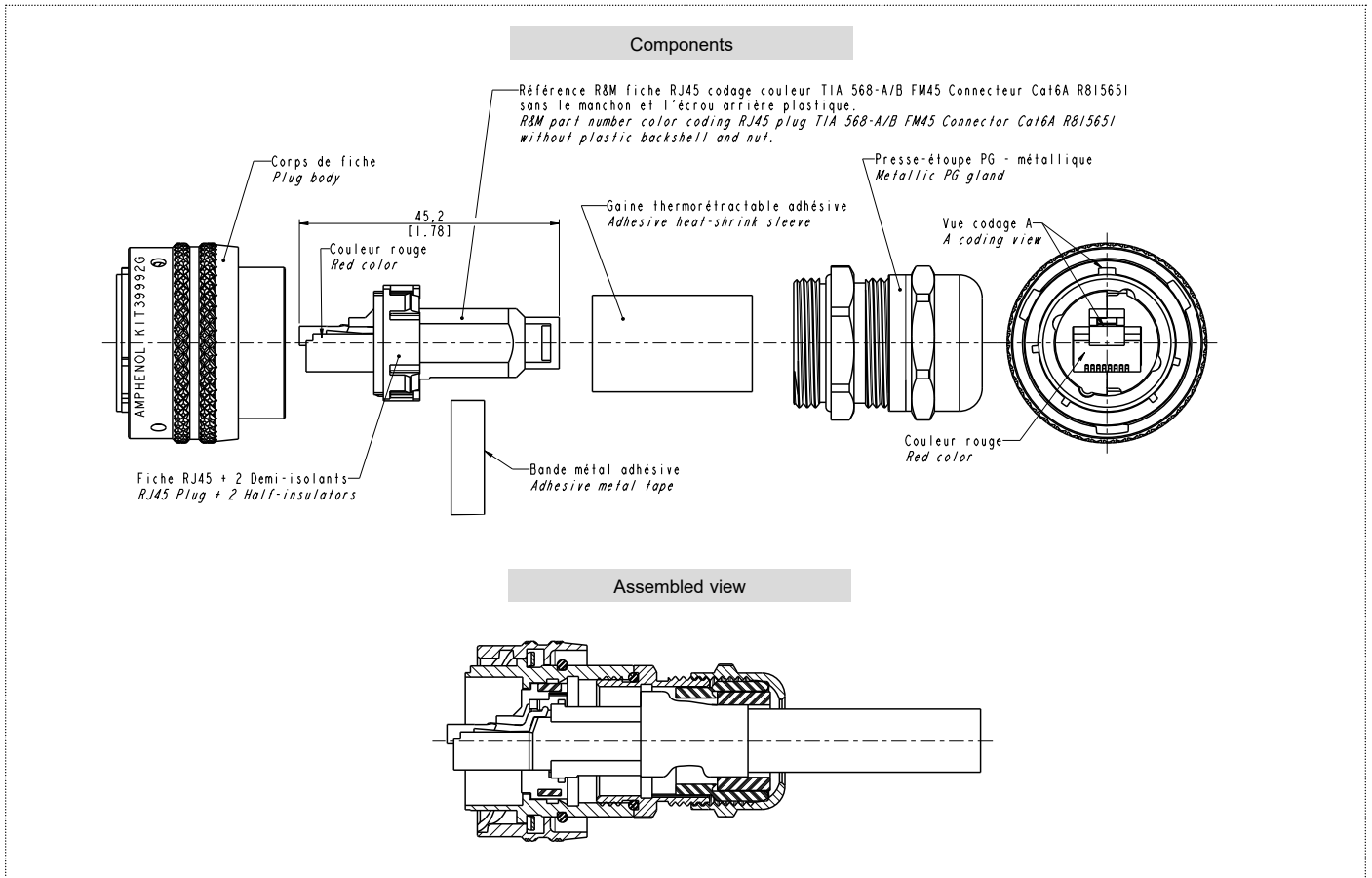
- Battlefield communication systems
- C5ISR
- Data acquisition and transmission in harsh environment
- Optronics
- Navy
- Rail Mass Transit
- Industrial process control
- Robotics
- CNC machines
- Oil & Gas

✓ : RoHS compliant

RJF™ - PLUG FOR BIG INSULATION WIRE UP TO 1.6 MM

Overall dimension

Plug - Shell type 6 - Straight 360° EMI backshell



Data transmission	Part number	Plating
Cat.6A	KIT39992B	Black coating ✓
	KIT39992NI	Nickel ✓
	KIT39992G	Olive drab cadmium
	KIT39992ZN	Black Zinc Nickel

✓ : RoHS compliant

RJ11F



Description

RJ11F enables you to use a standard RJ11/12 cable and transform it into a ruggedized, bayonet coupling connector. Derived from MIL-DTL-26482 J with a shell size 14. The bayonet coupling is quick, audible and visual, facilitating the data transmission and acquisition in harsh environment.

This solution has several advantages. The assembly of your solutions is easily installed because you don't need any tool. You can choose between four different codings on the plug and receptacle side. With the help of the dedicated tool you can remove the insert of the receptacle in order to change the coding if needed. You can also use it for reparation or maintenance. Everything can be done in place.

Main features

MAIN CHARACTERISTICS

- Bayonet coupling ("Audible & Visual" coupling signal)
- Robust metallic shells based on MIL-DTL-26482 J
- 4 mechanical user-defined coding / Polarization settings (insert rotation)
- RJ11 cordset retention in the plug: 100 N in the axis
- Mating cycles: 500 min
- Compatible with cable diameter from 5 mm [0.0164 in] to 13 mm [0.0426 in]
- For smaller diameters, please consult us.

ENVIRONMENTAL PROTECTION

- Sealing: IP68
- Salt Spray:
 - 48 h with nickel plating over aluminium shell ✓
 - 96 h with black coating over aluminium shell ✓
 - 500 h black zinc nickel over aluminium shell ✓
 - 500 h with olive drab cadmium plating over aluminium shell
- Fire Retardant / Low Smoke: UL94 V0 and EN45545
- Vibrations: 10 – 500 Hz, 10 g, 3 axes: no discontinuity > 10 nano s.
- Shocks: IK06: weight of 250 g drop from 40 cm [15.75 in] onto connectors (mated pair)
- Humidity: 21 days, 43°C, 98% humidity
- Temperature Range: - 40°C / +85°C

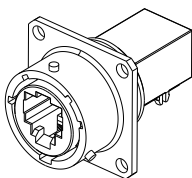
APPLICATIONS

- Battlefield communication
- Industrial applications

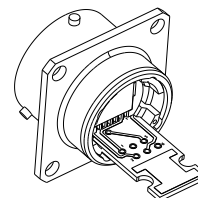
How to order : Please refer to page 112

Back terminations

Type 1 :
Female RJ11



Type 2 :
Solder - 8 tinned holes



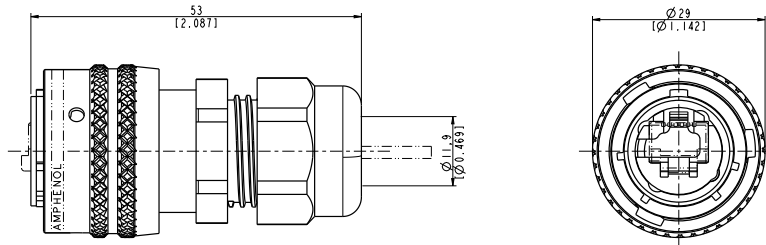
✓ : RoHS compliant

RJ11F

Overall dimension

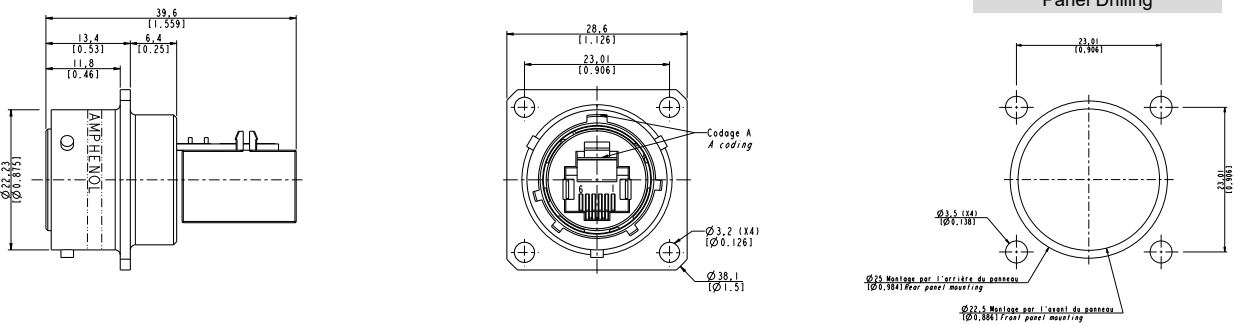
Plug - Shell type 6 with plastic gland

Part number type : **RJ11F 6 X**



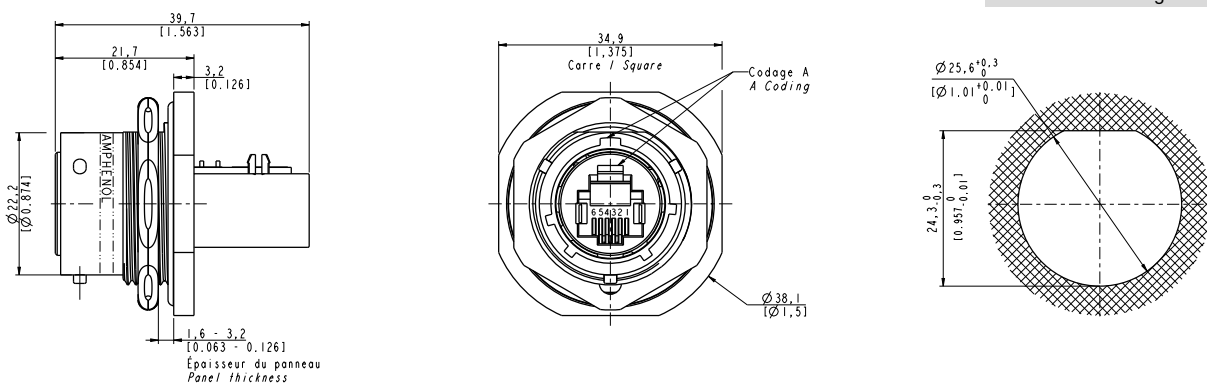
Receptacle - Square flange receptacle - 4 mounting holes - Shell type 2 - back termination type 1

Part number type : **RJ11F 2 1 X**



Receptacle - Jam nut receptacle - Hexagonal nut mounting - Shell type 7 - back termination type 1

Part number type : **RJ11F 7 1 X**

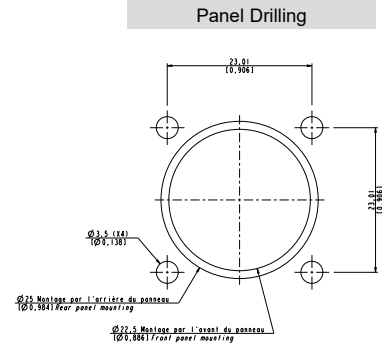
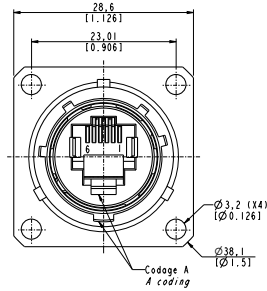
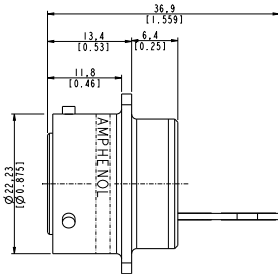


RJ11F

Overall dimension

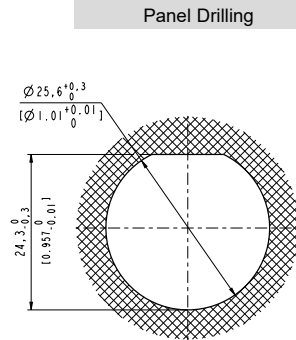
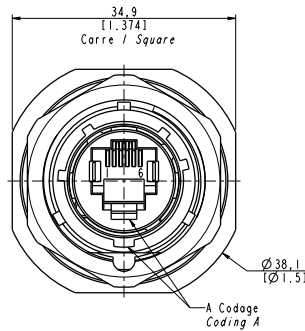
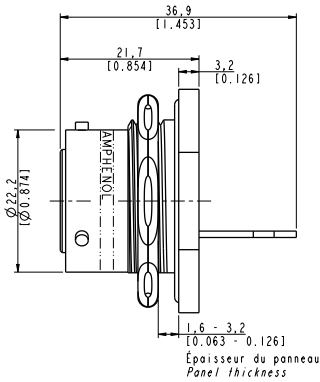
Receptacle - Square flange receptacle - 4 mounting holes - Shell type 2 - back termination type 2

Part number type : **RJ11F 2 2 X**



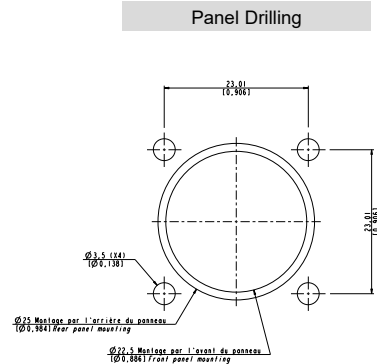
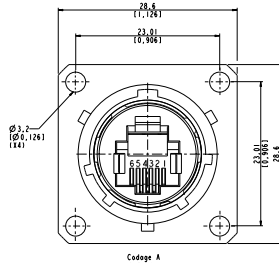
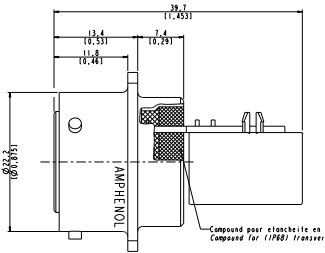
Receptacle - Jam nut receptacle - Hexagonal nut mounting - Shell type 7 - back termination type 2

Part number type : **RJ11F 7 2 X**



Sealed receptacle - Square flange receptacle - 4 mounting holes - Shell type 2 - back termination type 1

Part number type : **RJ11F 2 SA 1 X**

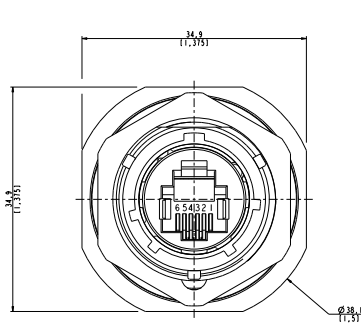
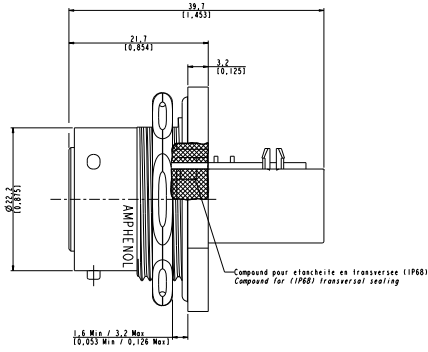


RJ11F

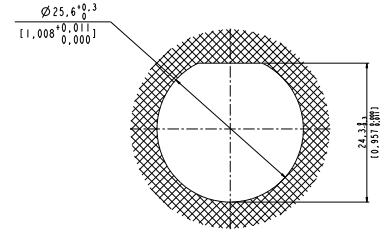
Overall dimension

Sealed receptacle - Jam nut receptacle - Hexagonal nut mounting - Shell type 7 - back termination type 1

Part number type : **RJ11F 7 SA 1 X**

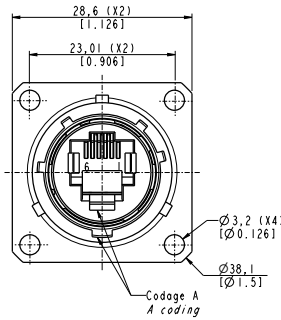
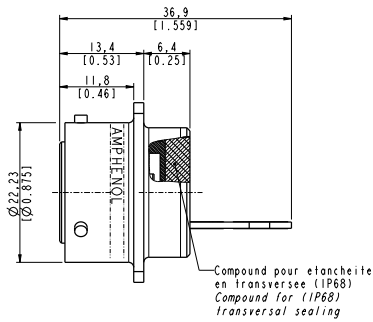


Panel Drilling

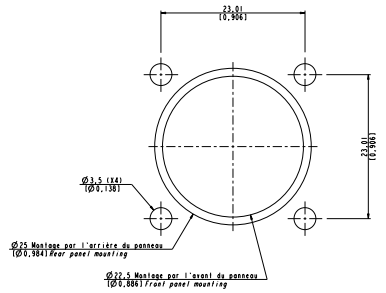


Sealed receptacle - Square flange receptacle - 4 mounting holes - Shell type 2 - back termination type 2

Part number type : **RJ11F 2 SA 2 X**

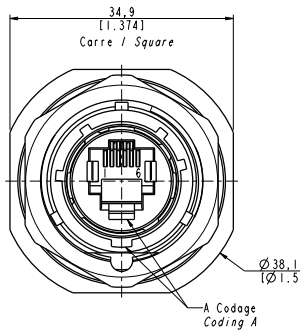
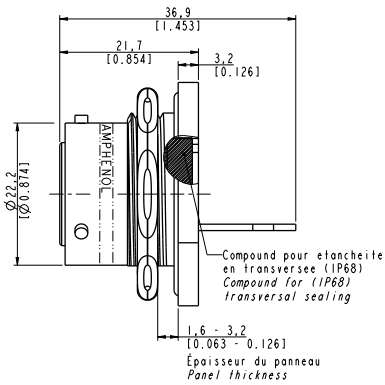


Panel Drilling

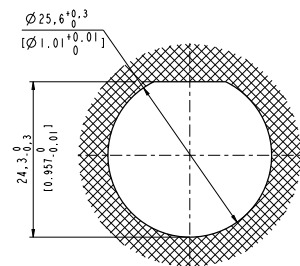


Sealed receptacle - Jam nut receptacle - Hexagonal nut mounting - Shell type 7 - back termination type 2

Part number type : **RJ11F 7 SA 2 X**



Panel Drilling

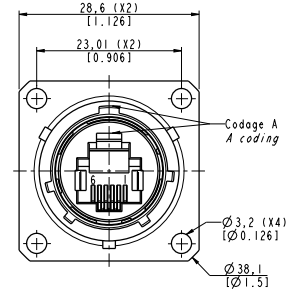
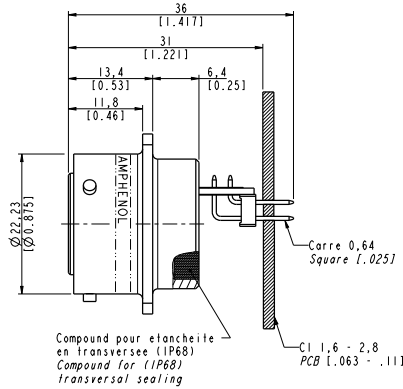
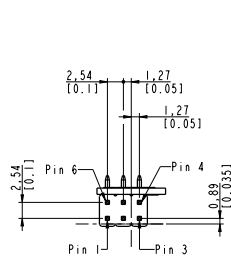


RJ11F

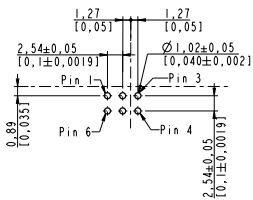
Overall dimension

Sealed Receptacle - Square flange receptacle - 4 mounting holes - Shell type 2 - PC tails

Part number type : **RJ11F 2 SA 5 X**



PCB Layout

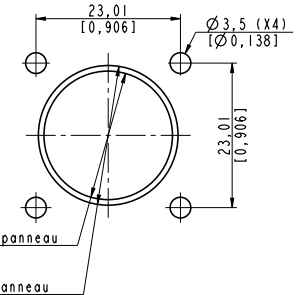


Panel Drilling

Perçages panneau (Épaisseur 2,5 Max Pour Montage par l'arrière)

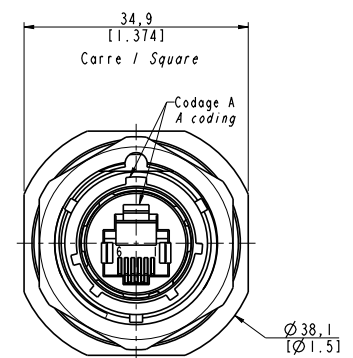
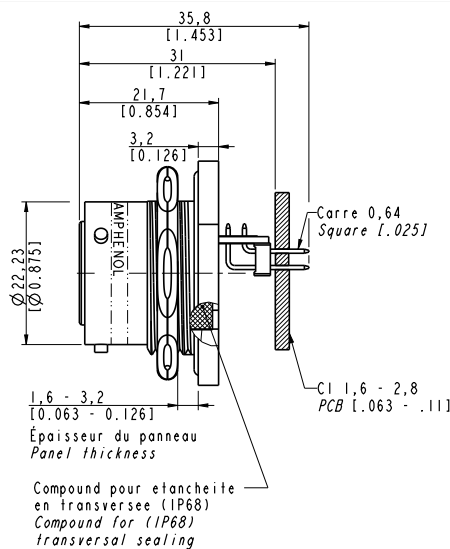
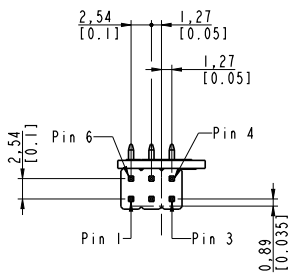
Panel drilling (Thickness 0.098 Max for rear mounting)

Ø22,5 Montage par l'avant du panneau [Ø0,886] Front panel mounting
Ø25 Montage par l'arrière du panneau [Ø0,984] Rear panel mounting

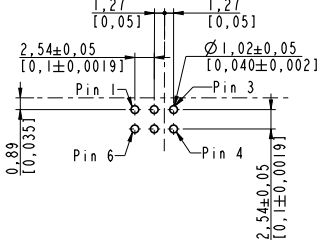


Sealed Receptacle - Jam nut receptacle - Hexagonal nut mounting - Shell type 7 - PC tails

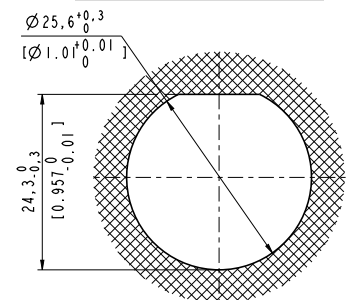
Part number type : **RJ11F 7 SA 5 X**



PCB Layout



Panel Drilling





Description

The RJFTV™ is our main standard derived from MIL-DTL-38999 series III with a shell size 19. This tri-start thread coupling mechanism is the most resistant of all against shock or vibration, perfectly suitable for all transmission in harsh environment.

This solution has several advantages. The assembly of your solutions is easily installed because you don't need any tool, thanks to the patented RJStop system. You can choose between four different codings on the plug and receptacle side. With the help of the dedicated tool you will be able to remove the insert of the receptacle in order to change the coding if needed. You can also use it for reparation or maintenance. Everything can be done in place. The complete solution is metallized and united when connected in order to transmit the electrical continuity from cordset to the panel.

The following pages list all complementary configurations that you could need on your system such as sealed and hermetic receptacles, 360° EMI solutions for reinforced shielding or whether special plugs for big insulations wire.

Main features

MAIN CHARACTERISTICS

- Tri Start Thread coupling mechanism (MIL-DTL-38999 series III type) with anti-decoupling device - Shell size 19
- Sealed against fluids and dusts (IP68)
- Shock, vibration and traction resistant
- No cabling operation in field and no tools required
- Mechanical coding / Polarization (4 positions)
- Improved EMI protection
- Robust metallic shells
- RJ45 cordset retention in the plug: 100 N in the axis
- Mating cycles: 500 min
- Compatible with cable diameter from 6 mm [0.236 in] to 12 mm [0.472 in], for smaller diameters please consult us

ENVIRONMENTAL PROTECTION

- Sealing: IP68
- Salt spray:
 - 48 h with nickel plating over aluminium shell ✓
 - 500 h black zinc nickel plating over aluminium shell ✓
 - 500 h with olive drab cadmium plating over aluminium shell
 - 500 h with marine bronze shell ✓
- Fire retardant/Low smoke : UL94 V0 and EN45545
- Vibrations : 10 - 500 Hz, 10 g, 3 axes: no discontinuity > 10 nano s.
- Compounded versions tested per NAS 1599 (5-3000 Hz, 20g, 12h)
- Shocks: IK06 ► weight of 250 g drop from 40 cm [15.75 in] onto connectors (mated pair)
- Humidity: 21 days, 43°C, 98% humidity
- Temperature range: -40°C / +85°C
- Panel thickness: 1,57 mm min and 3,18 mm max for jam nut receptacle

DATA TRANSMISSION

- 10 BaseT, 100 BaseTX and 1000 BaseT networks
- Cat 5e per TIA/EIA 568B and ClassD per ISO/IEC 11801
- Cat.6 per TIA/EIA 568B and ClassE per ISO/IEC 11801
- Cat.6A per TIA/EIA 568B and ClassEa per ISO/IEC 11801

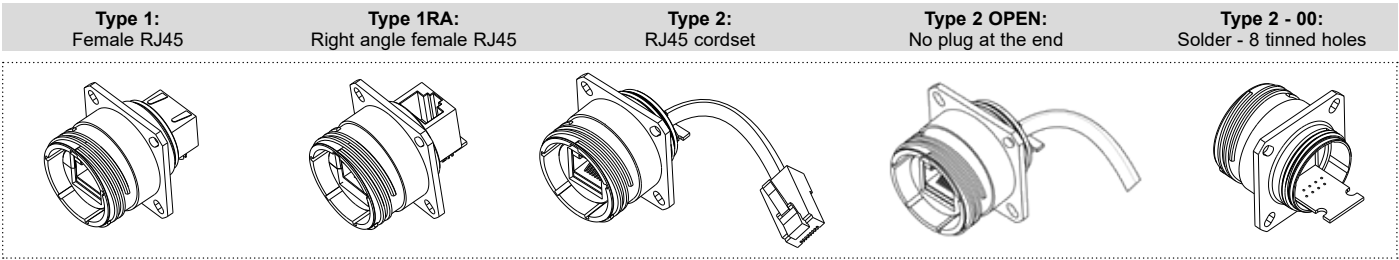
APPLICATIONS

- Battlefield communication systems
- C5ISR
- Data acquisition and transmission in harsh environment
- Navy
- Rail Mass Transit
- Industrial process control
- Robotics
- CNC machines
- Oil & Gas

How to order : Please refer to page 113

✓ : RoHS compliant

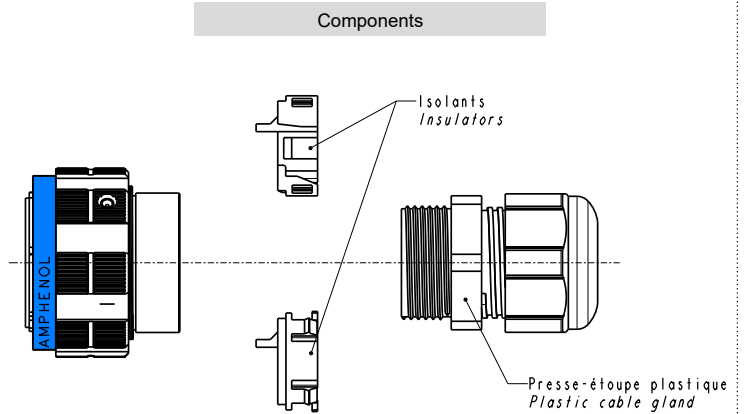
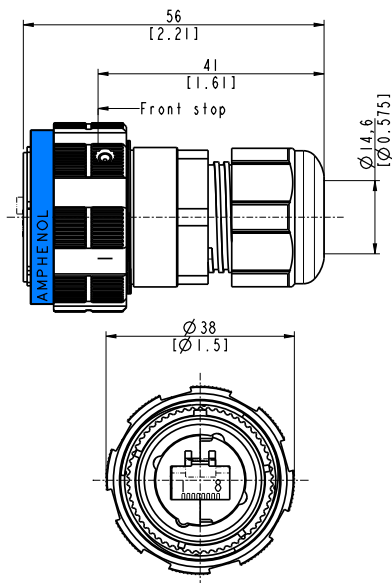
Back terminations



Overall dimension

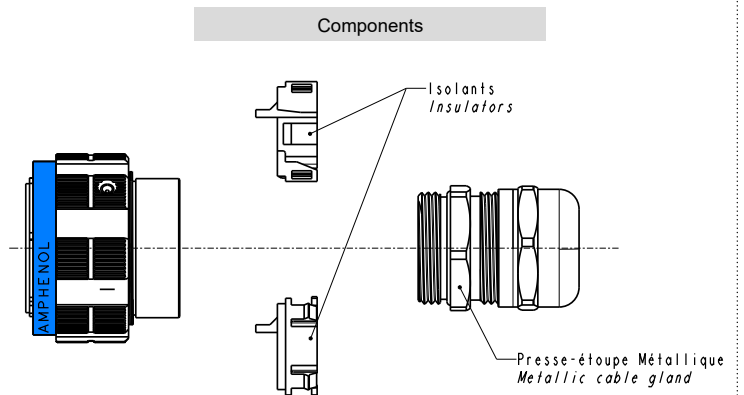
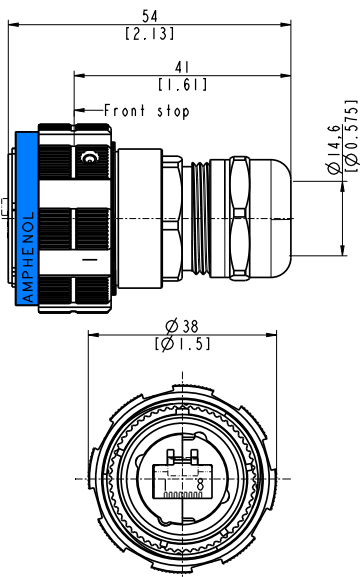
Plug - Shell type 6 - Plastic gland

Part number type : **RJFTV 6 X**



Plug - Shell type 6 - Metal gland

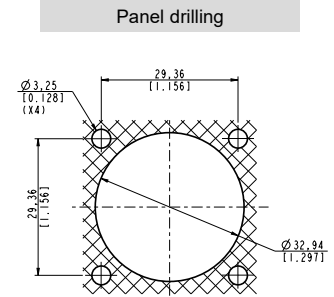
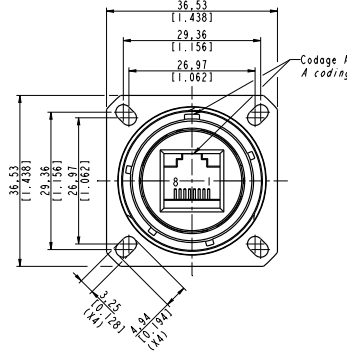
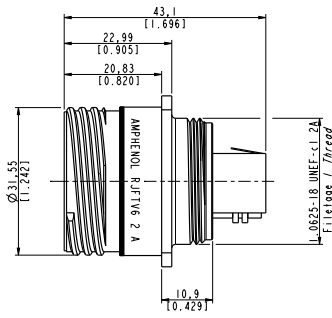
Part number type : **RJFTV 6M X**



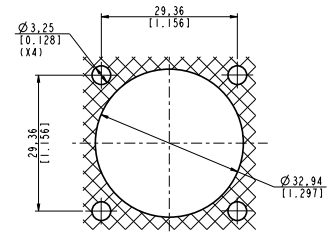
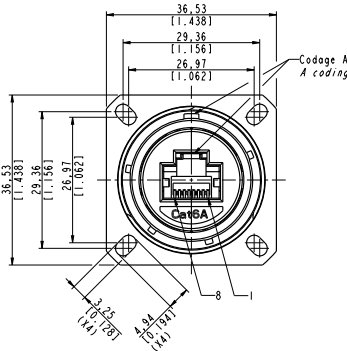
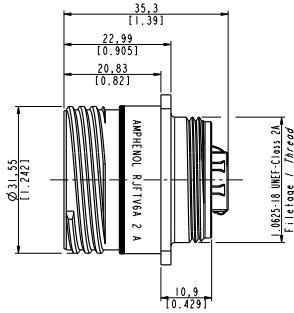
Overall dimension

Receptacle - Square flange receptacle - 4 mounting holes - Shell type 2 - back termination type 1

Part number type (Cat.5e) : **RJFTV 2 1 X**
 Part number type (Cat.6) : **RJFTV 6 2 X 1 X**

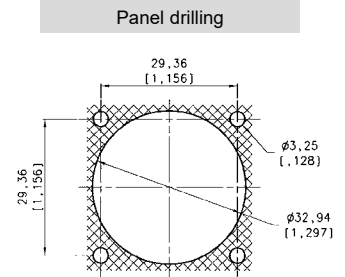
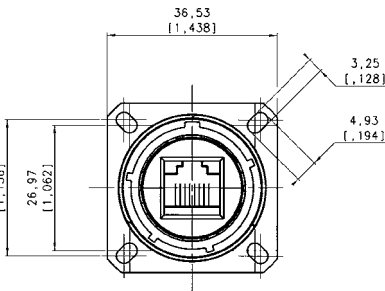
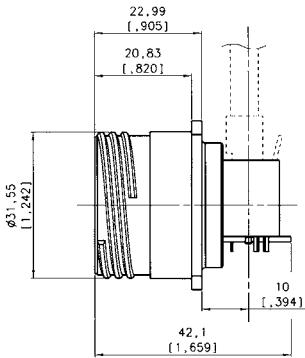


Part number type (Cat.6A) : **RJFTV 6A 2 X 1 X**

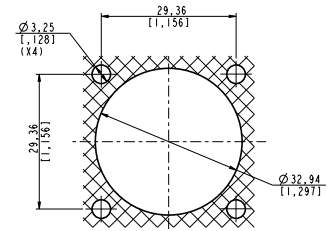
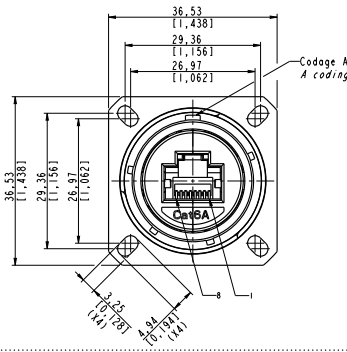
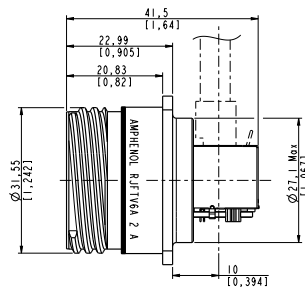


Receptacle - Square flange receptacle - 4 mounting holes - Shell type 2 - back termination type 1RA

Part number type (Cat.5e) : **RJFTV 2 1RA X**



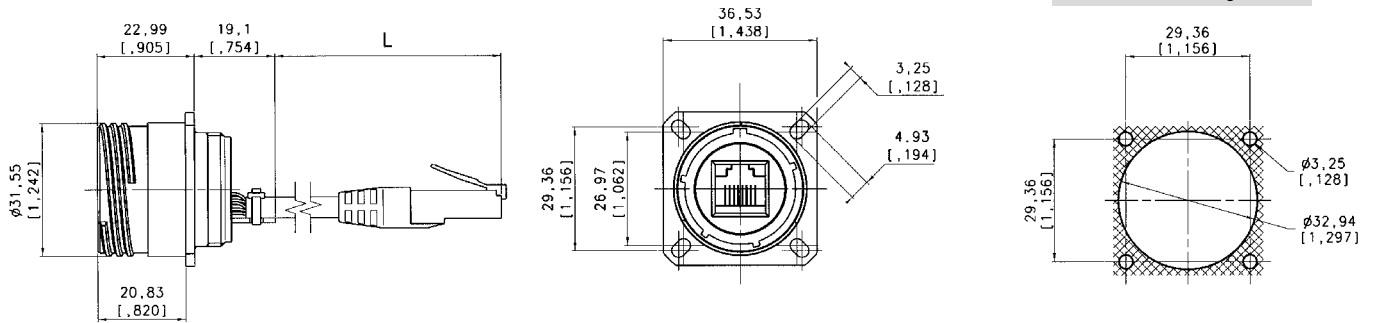
Part number type (Cat.6A) : **RJFTV 6A 2 X 1RA X**



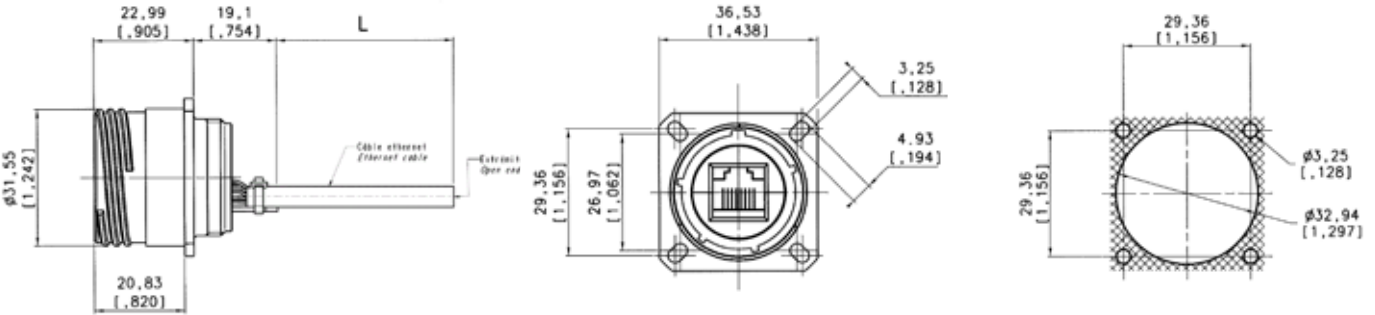
Overall dimension

Receptacle - Square flange receptacle - 4 mounting holes - Shell type 2 - back termination type 2

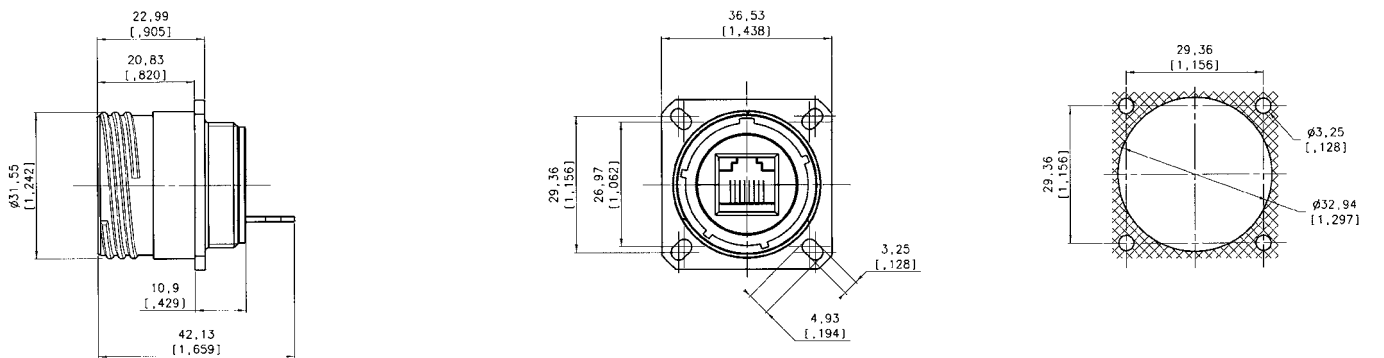
Part number type (Cat.5e) : **RJFTV 2 2 X XX 100BTX**



Part number type (Cat.5e) : **RJFTV 2 2 X XX OPEN**



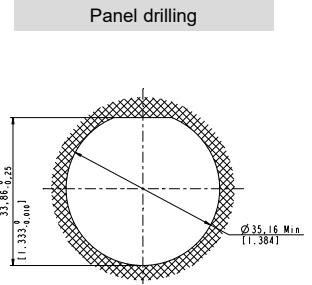
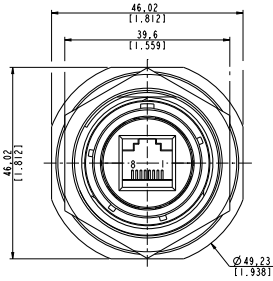
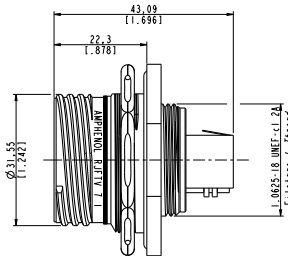
Part number type (Cat.5e) : **RJFTV 2 2 X 00**



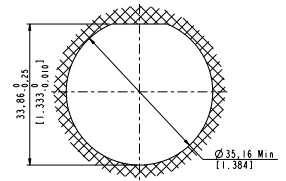
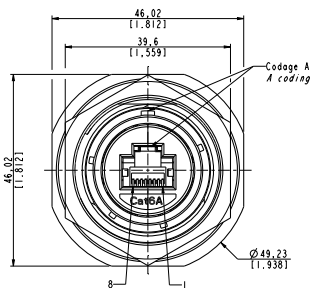
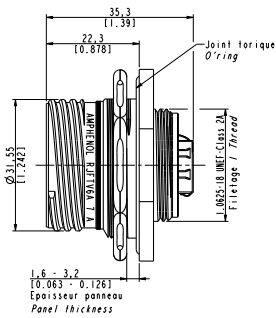
Overall dimension

Receptacle - Jam nut receptacle – Hexagonal nut mounting - Shell type 7 – back termination type 1

Part number type (Cat.5e): **RJFTV 7 1 X**
 Part number type (Cat.6): **RJFTV 6 7 X 1 X**

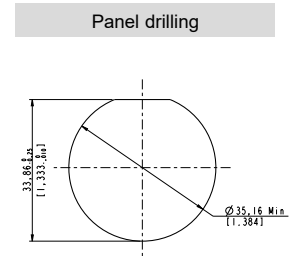
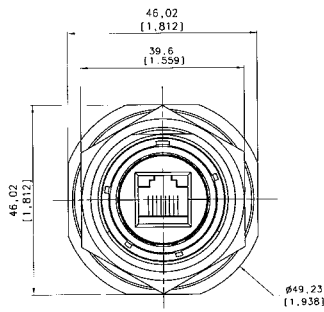
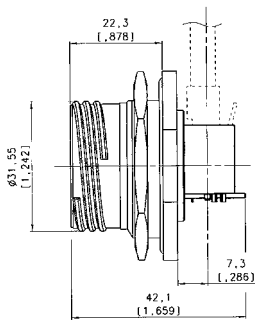


Part number type (Cat.6A) : **RJFTV 6A 7 X 1 X**

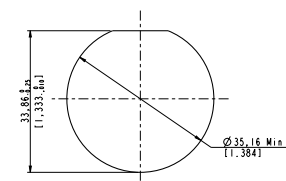
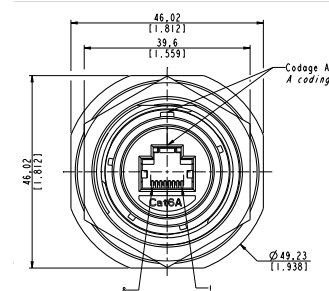
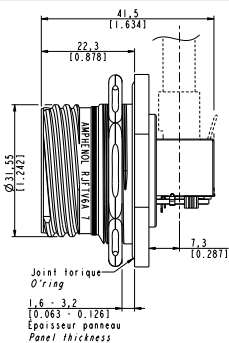


Receptacle - Jam nut receptacle – Hexagonal nut mounting - Shell type 7 – back termination type 1RA

Part number type (Cat.5e) : **RJFTV 7 1RA X**



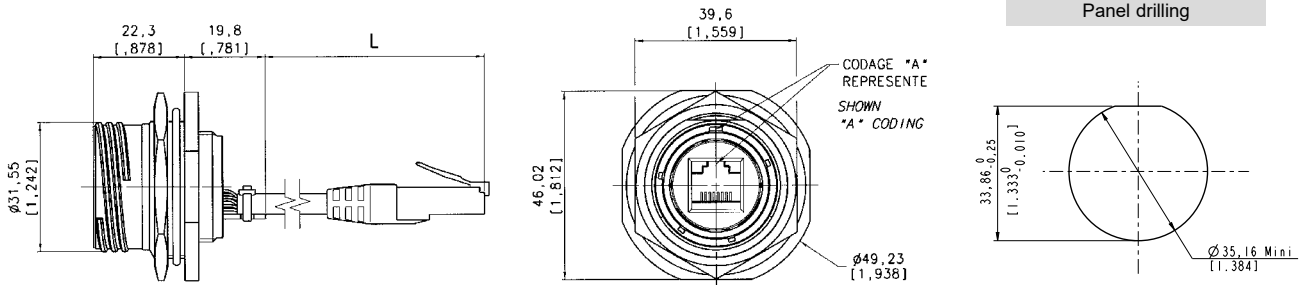
Part number type (Cat.6A) : **RJFTV 6A 7 X 1RA X**



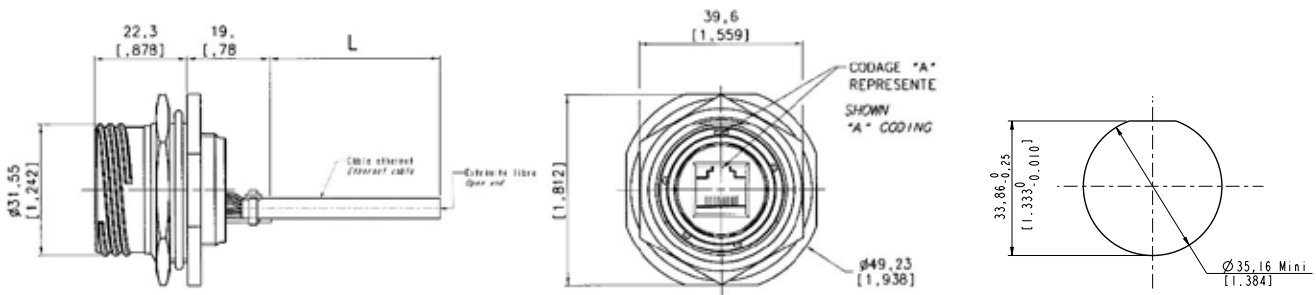
Overall dimension

Receptacle - Jam nut receptacle – Hexagonal nut mounting - Shell type 7 – back termination type 2

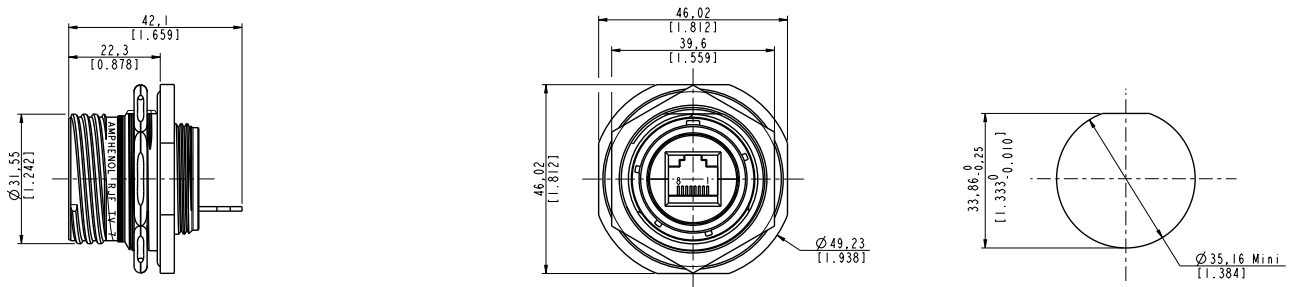
Part number type (Cat.5e) : **RJFTV 7 2 X XX 100BTX**



Part number type (Cat.5e) : **RJFTV 7 2 X XX OPEN**



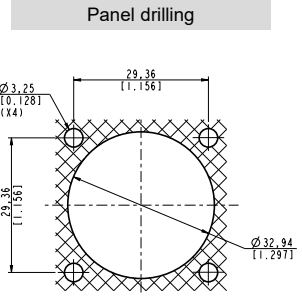
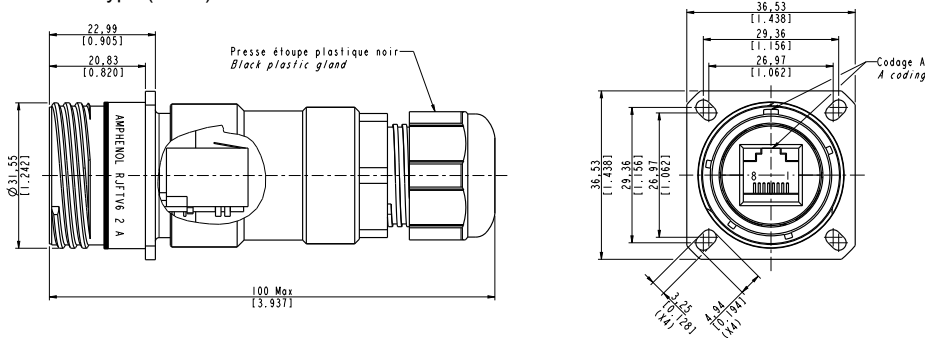
Part number type (Cat.5e) : **RJFTV 7 2 X 00**



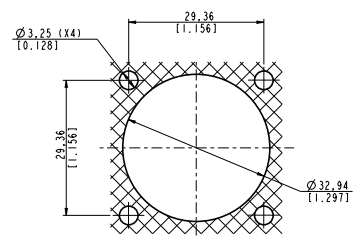
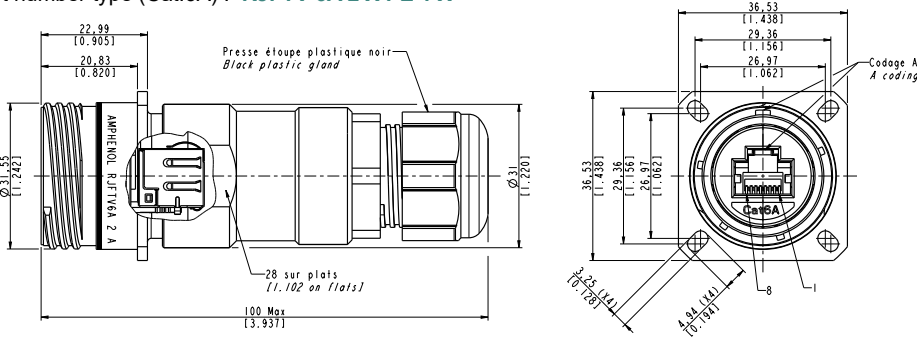
Overall dimension

Receptacle - Square flange receptacle - 4 mounting holes - Shell type 2 - Backshell with plastic gland

Part number type (Cat.5e) : **RJFTV 2 PE X**
 Part number type (Cat.6) : **RJFTV 6 2 X PE 1 X**

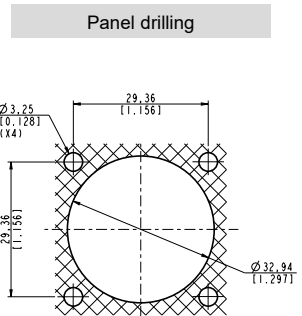
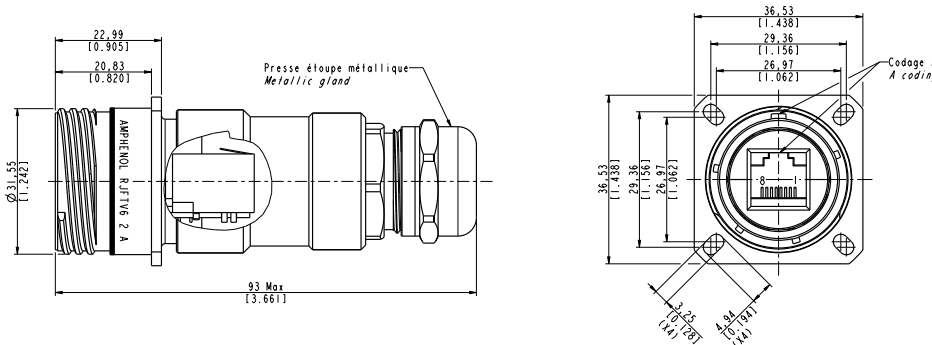


Part number type (Cat.6A) : **RJFTV 6A 2 X PE 1 X**

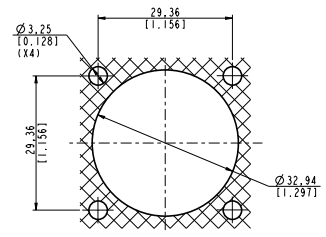
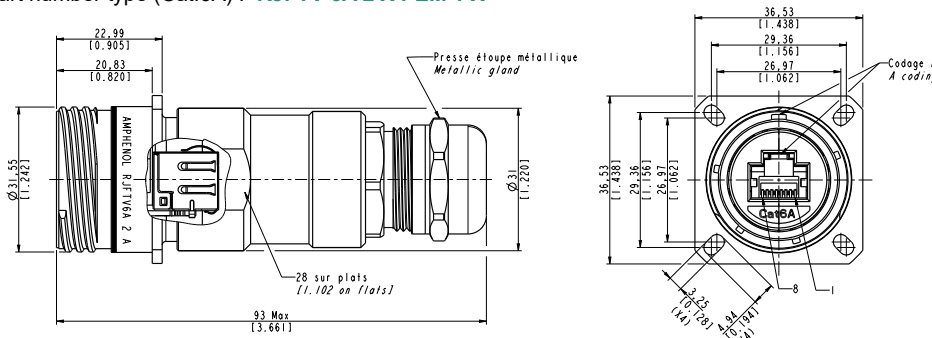


Receptacle - Square flange receptacle - 4 mounting holes - Shell type 2 - Backshell with metal gland

Part number type (Cat.5e) : **RJFTV 2 PEM 1 X**
 Part number type (Cat.6) : **RJFTV 6 2 X PEM 1 X**



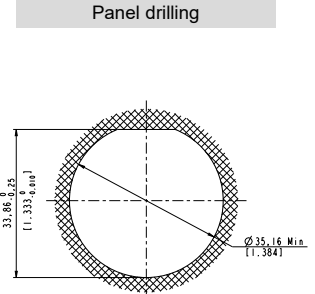
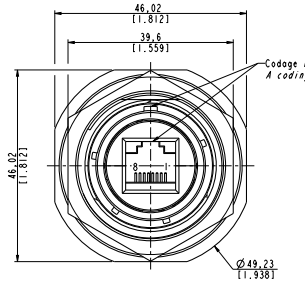
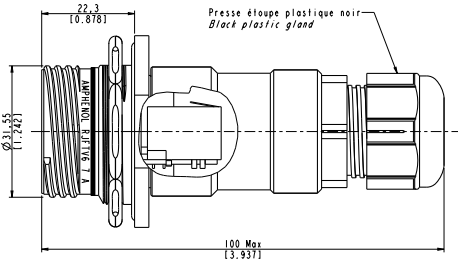
Part number type (Cat.6A) : **RJFTV 6A 2 X PEM 1 X**



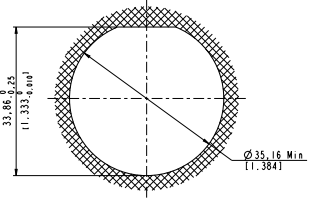
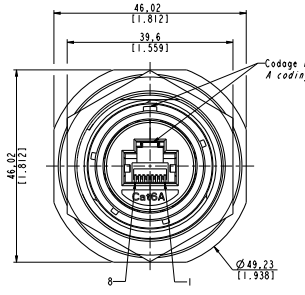
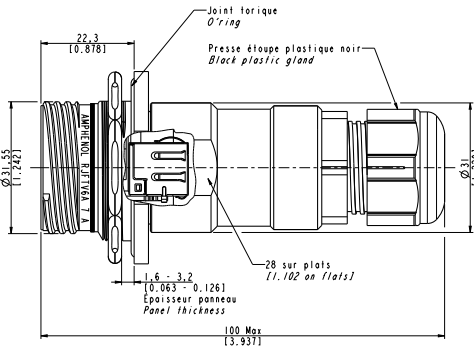
Overall dimension

Receptacle - Jam nut receptacle - Hexagonal nut mounting - Shell type 7 - Backshell with plastic gland

Part number type (Cat.5e) : **RJFTV 7 PE X**
 Part number type (Cat.6) : **RJFTV 6 7 X PE 1 X**

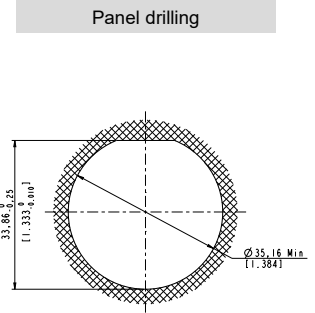
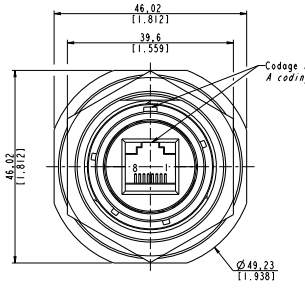
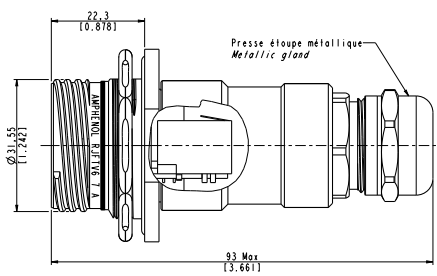


Part number type (Cat.6A) : **RJFTV 6A 7 X PE 1 X**

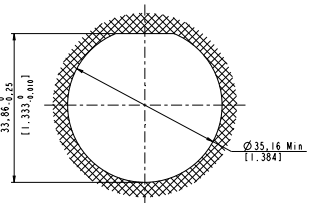
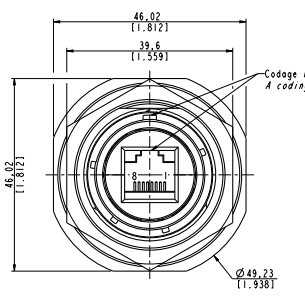
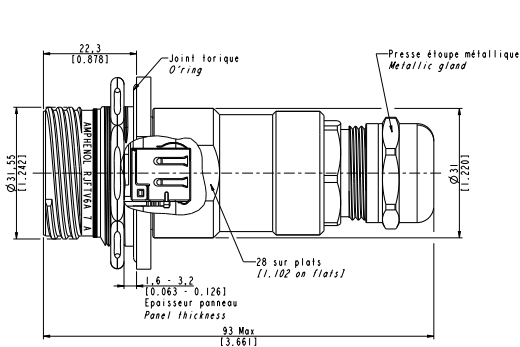


Receptacle - Jam nut receptacle - Hexagonal nut mounting - Shell type 7 - Backshell with metal gland

Part number type (Cat.5e) : **RJFTV 7 PEM 1 X**
 Part number type (Cat.6) : **RJFTV 6 7 X PEM 1 X**



Part number type (Cat.6A) : **RJFTV 6A 7 X PEM 1 X**

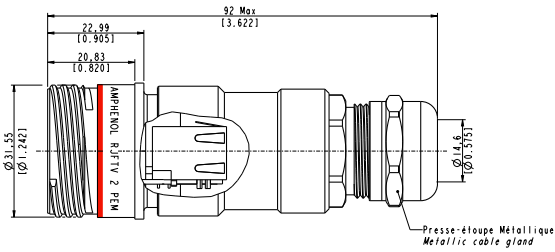


Overall dimension

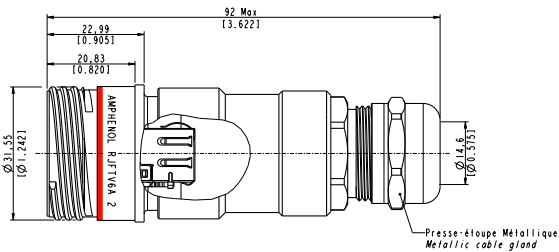
Receptacle - In line receptacle - Without flange - Metal gland

Part number type (Cat.5e) : **RJFTV 2 PEM WF 1 X**

Part number type (Cat.6) : **RJFTV 6 2 PEM WF 1 X**



Part number type (Cat.6A) : **RJFTV 6A 2 PEM WF 1 X**



Metal range

Composite range

Cables and cordsets

Adaptors and access points

Accessories

Assembly instructions

How to order

RJFTV™ - TRANSVERSALLY SEALED AND HERMETIC RECEPTACLE



Description

The transversally sealed receptacle is in all aspects equivalent to the standard and in addition, is improved with compound at the rear of the receptacle. This will prevent the sealing of the receptacle when unmated with its plug or protective cap.

The hermetic solution, as the transversally sealed one, is compounded at the rear of the receptacle. Helium leakage is less than 1.10^{-6} cm³ per second [0.1 micron cubit ft per hour] at one bar [15 psi] pressure differential. The test is 100% done on all of these hermetic receptacles.

Main features

MAIN CHARACTERISTICS

- Same as the RJFTV™ series.
- A complete IP68 sealing of the receptacle (even with no plug or no protective cap mated) is added.
- Outside dimensions are the same as the standard RJFTV series.
- Vibrations: the compounded versions of the RJFTV have been tested in vibration following the NAS 1599 Aeronautic specification (Ambient temperature):
5 - 3000 Hz, 20g, 2,5 mm [.1 inch] double amplitude, 3 axes, 12 hours

DATA TRANSMISSION

- 10 BaseT, 100 BaseTX and 1000 BaseT networks
- Cat 5e per TIA/EIA 568B and ClassD per ISO/IEC 11801
- Cat.6 per TIA/EIA 568B and ClassE per ISO/IEC 11801
- Cat.6A per TIA/EIA 568B and ClassEa per ISO/IEC 11801

APPLICATIONS

- Battlefield communication systems
- C5ISR
- Data acquisition and transmission in harsh environment
- Optronics
- Navy
- Rail Mass Transit
- Industrial process control
- Robotics
- CNC machines
- Oil & Gas

Important note:

- Due to the compound, the coding orientation has to be define in the reference.
- To choose your coding orientation, please refer to "Assembly instructions" page 104.

How to order : Please refer to page 114

RJFTV™ - STAND-OFF RECEPTACLE



Description

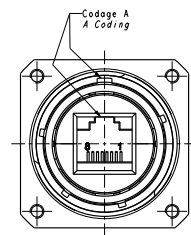
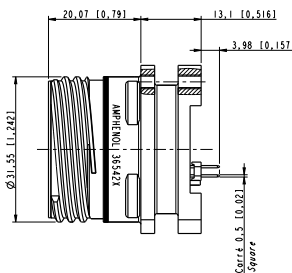
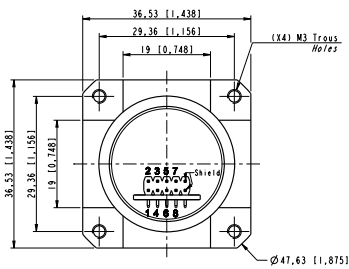
This enhanced design allows you to mount the connector shell directly on PC board. Soldering your contacts directly on the board will help to save you a lot of space inside of your system. As the double-flange of this connector is directly fixed on the board, mechanical stresses are absorbed by the shell and not the contacts. In addition to this benefit, the sealing is improved by the compounded receptacle.

How to order : Please refer to page 115

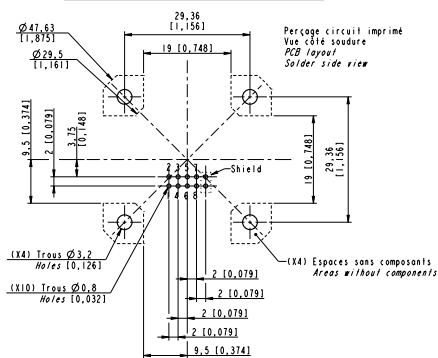
Overall dimension

Receptacle - Square flange receptacle - 4 mounting holes - Shell type 2 - F459

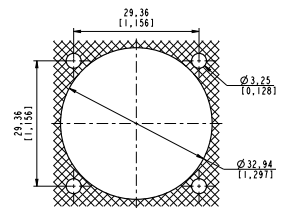
Part number type (Cat.5e) : **36542X**



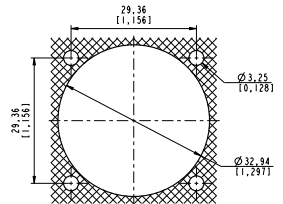
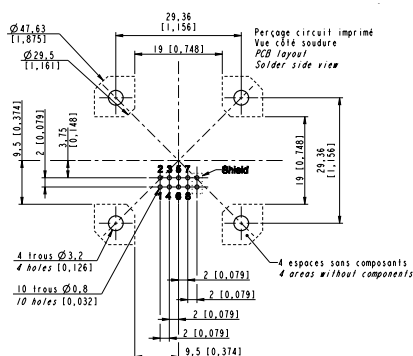
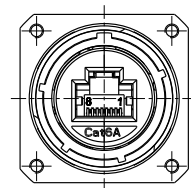
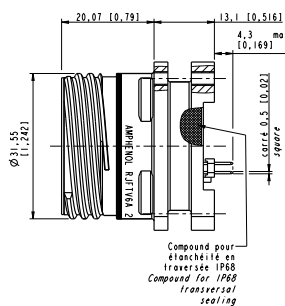
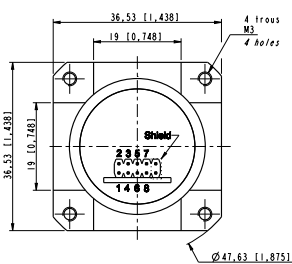
PCB Layout



Panel drilling



Part number type (Cat.6A) : **RJFTV 6A 2S X 5 X F459**



Important note:

- Due to the compound, the coding orientation has to be define in the reference.
- To choose your coding orientation, please refer to "Assembly instructions" page 104

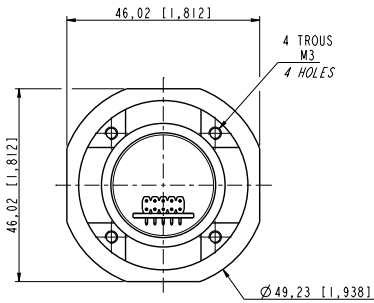
✓ : RoHS compliant

RJFTV™ - STAND-OFF RECEPTACLE

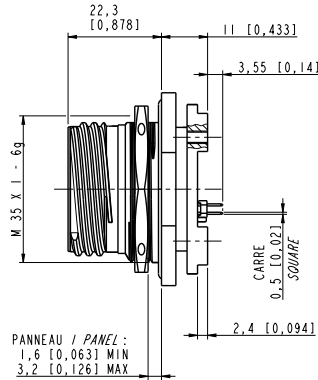
Overall dimension

Receptacle - Jam nut receptacle - Hexagonal nut mounting - Shell type 7 - F459

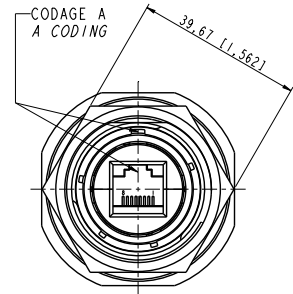
Part number type (Cat.5e) : **36540X**



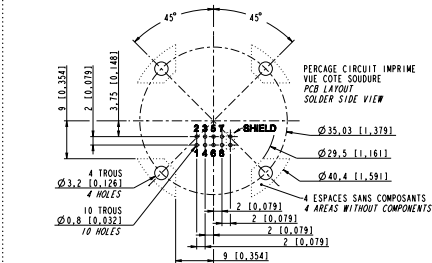
PCB Layout



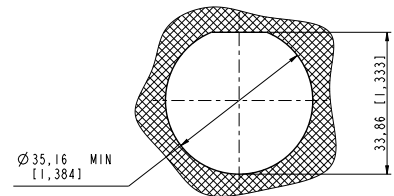
PANNEAU / PANEL :
1,6 [0,063] MIN
3,2 [0,126] MAX



Panel drilling

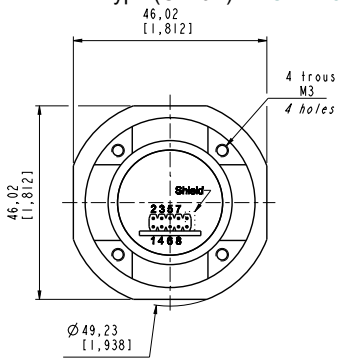


PCB Layout

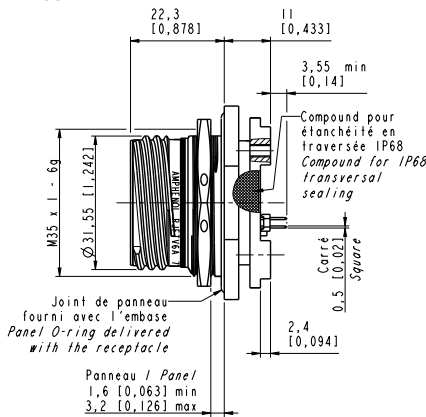


Panel drilling

Part number type (Cat.6A) : **RJFTV 6A 7S X 5 X F459**

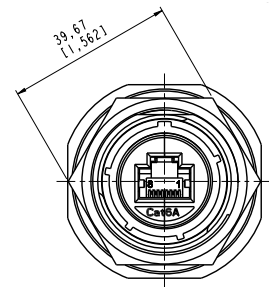


PCB Layout

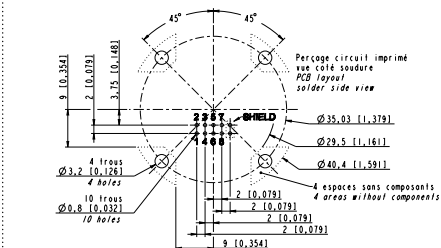


Joint de panneau
fourni avec l'embase
Panel O-ring delivered
with the receptacle

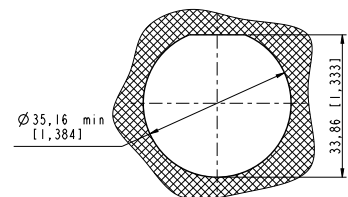
Panneau / Panel
1,6 [0,063] min
3,2 [0,126] max



Panel drilling



PCB Layout



Panel drilling

Important note:

- Due to the compound, the coding orientation has to be define in the reference.
- To choose your coding orientation, please refer to "Assembly instructions" page 104

✓ : RoHS compliant

RJFTV™ - REDUCED FLANGE RECEPTACLE



Description

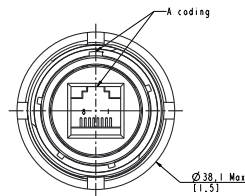
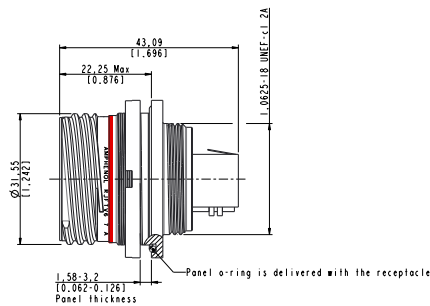
Derived from standard RJFTV™, Reduced Flange RJFTV™ is ideal for applications where small dimensions and lower weight are critical in harsh environments. The reduced flange deviation saves 41% footprint surface reduction and is 15% lighter than standard RJFTV™ receptacle. RJFTV™ Reduced flange receptacle is available in Cat5.e, Cat.6 and Cat6A. Moreover, you have two castle nut options, standard castle nut and safety castle nut that enables you to add a lock wire for anti-rotation of the nut.

How to order : Please refer to page 116

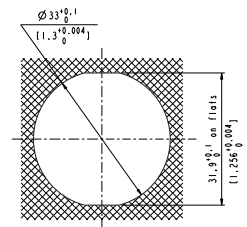
Overall dimension

Receptacle - Reduced flange Jam nut receptacle - Castle nut mounting - Shell type 7 - F312 or F311

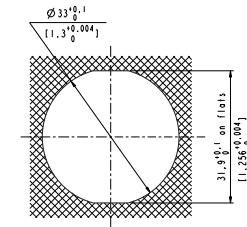
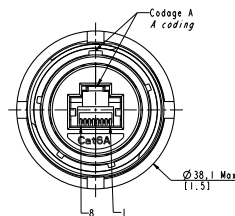
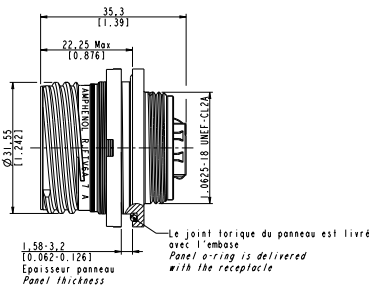
Part number type (Cat.5e) : **RJFTV 7 1 X F312**
RJFTV 7 1 X F311
 Part number type (Cat.6) : **RJFTV 6 7 X 1 X F312**
RJFTV 6 7 X 1 X F311



Panel drilling



Part number type (Cat.6A) : **RJFTV 6A 7 X 1 X F312**
RJFTV 6A 7 X 1 X F311



Important note:

- To choose your coding orientation, please refer to "Assembly instructions" page 104

RJFTV™ - REDUCED FLANGE RECEPTACLE

Overall dimension

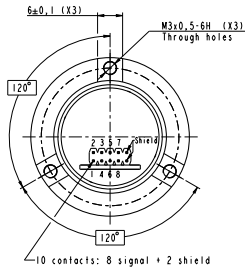
Receptacle - Reduced flange Jam nut receptacle - Castle nut mounting - Shell type 7 - F059 or F058

Part number type (Cat.5e) : **RJFTV 7S X 5 X F059**

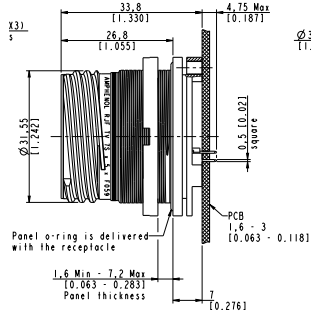
RJFTV 7S X 5 X F058

Part number type (Cat.6) : **RJFTV 6 7S X 5 X F059**

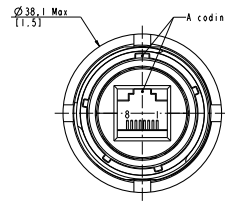
RJFTV 6 7S X 5 X F058



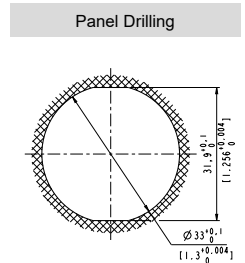
Coding A



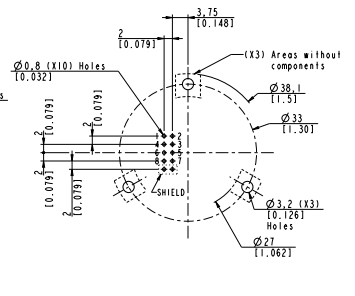
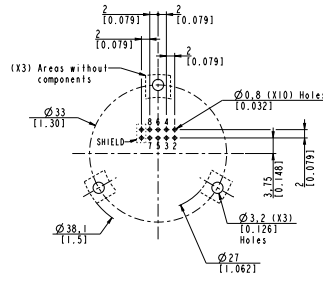
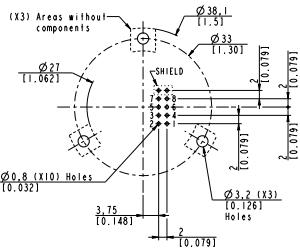
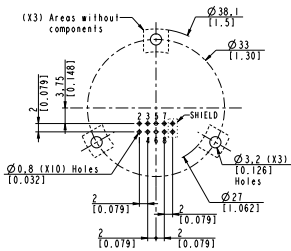
Coding B



Coding C

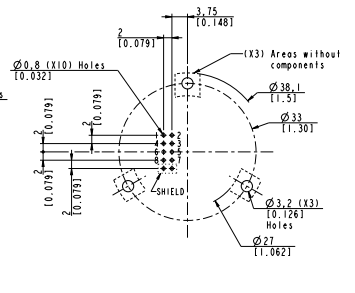
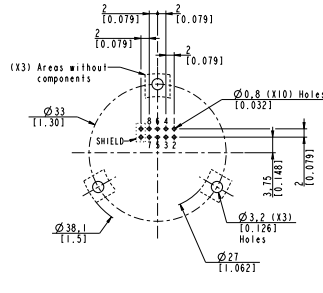
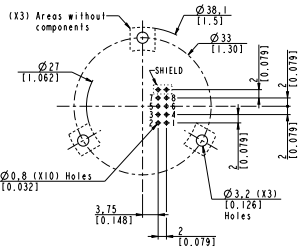
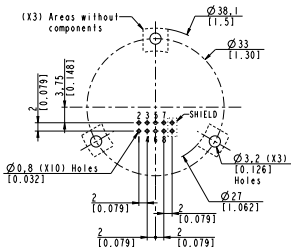
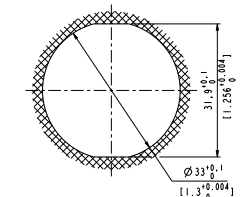
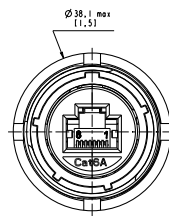
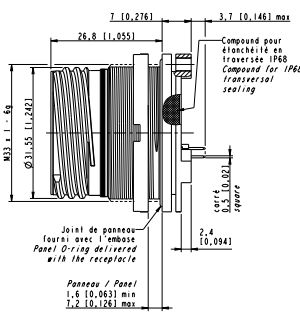
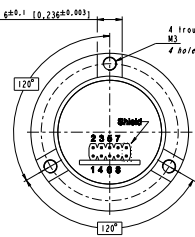


Coding D



Part number type (Cat.6A) : **RJFTV 6A 7S X 5 X F059**

RJFTV 6A 7S X 5 X F058



Important note:

- Due to the compound, the coding orientation has to be define in the reference.
- To choose your coding orientation, please refer to "Assembly instructions" page 104

✓ : RoHS compliant

RJFTV™ - THROUGH-BULKHEAD RECEPTACLE



Description

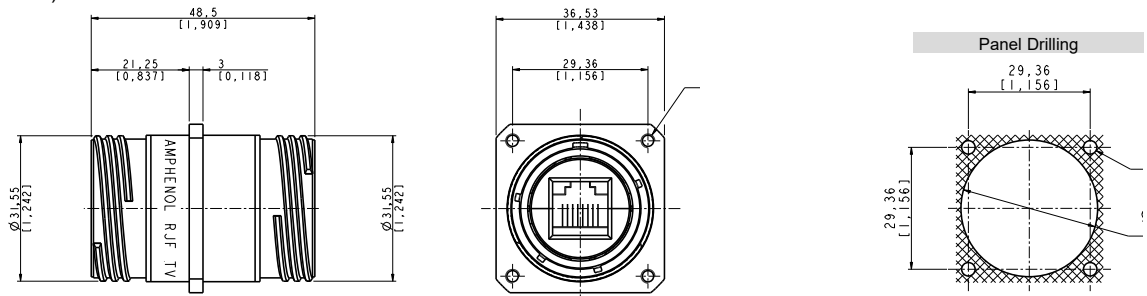
The RJFTV™ Through-bulkhead is a double-ended receptacle that enables you to connect two RJFTV™ plug on both side of your panel. In your system, it provides you the best protection and remains very easy to assemble.

How to order : Please refer to page 117

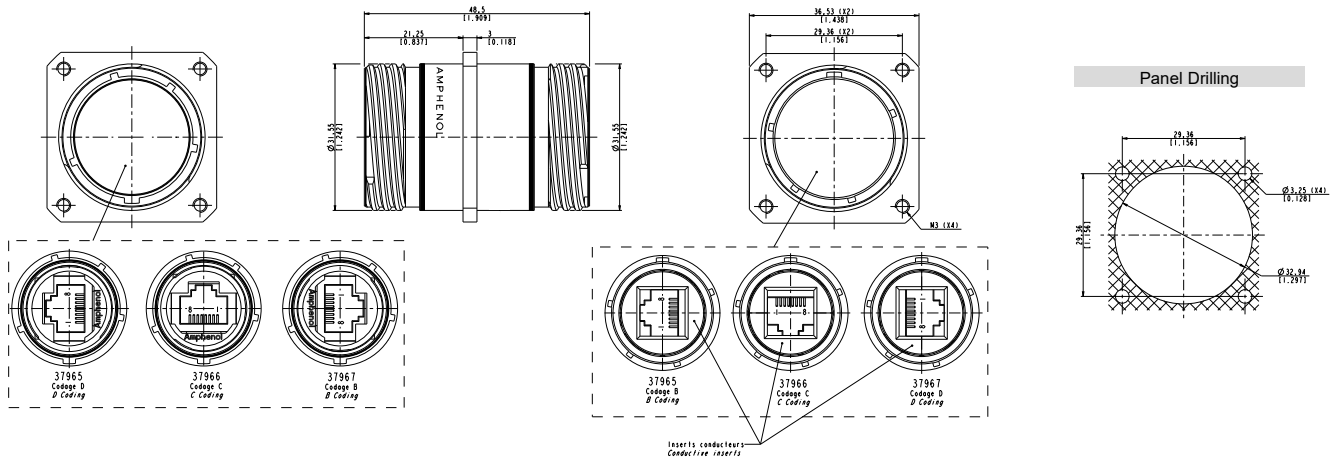
Overall dimension

Receptacle - Square flange receptacle - 4 mounting holes - Shell type 2 - Trough-bulkhead

Part number type (Cat.5e) : **RJFTV B 2 X ISO XXX**
 Part number type (Cat.6) : **RJFTV 6 B 2 X ISO XXX**



Receptacle - Square flange receptacle - 4 mounting holes - Shell type 2 - Trough-bulkhead - Other coding possibility



Data transmission	Part number	Metallized insert	Coding	Plating
Cat.5e	37965	Yes	B - D	Nickel ✓
	37966	Yes	C - C	
	37967	Yes	D - B	

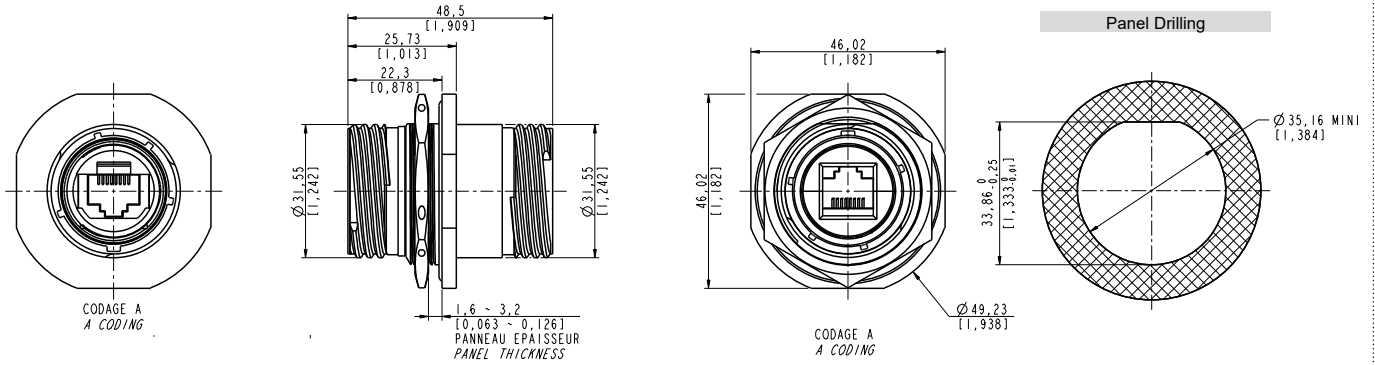
✓ : RoHS compliant

RJFTV™ - THROUGH-BULKHEAD RECEPTACLE

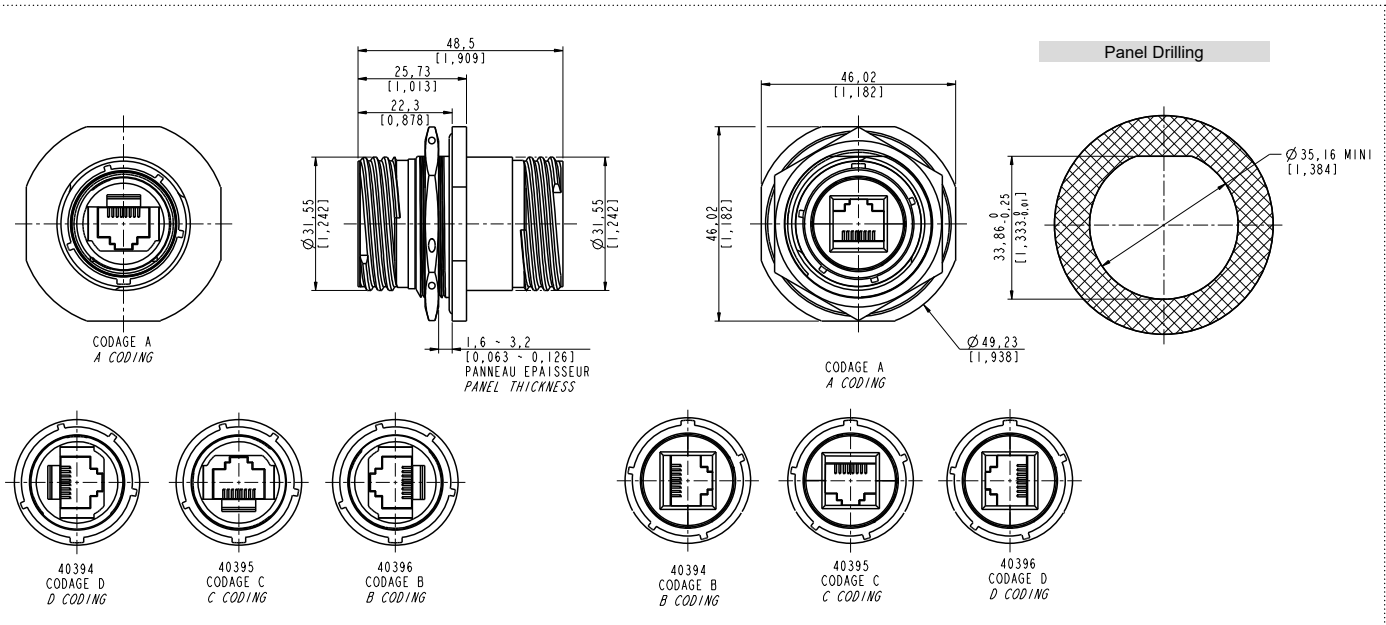
Overall dimension

Receptacle - Jam nut receptacle - Hexagonal nut mounting - Shell type 7 - Trough-bulkhead

Part number type (Cat.5e) : **RJFTV B 7 X ISO XXX**
 Part number type (Cat.6) : **RJFTV 6 B 7 X ISO XXX**



Receptacle - Jam nut receptacle - Hexagonal nut mounting - Shell type 7 - Trough-bulkhead - Other coding possibility



Data transmission	Part number	Metallized insert	Coding	Plating
Cat.5e	40394	Yes	B - D	Nickel ✓
	40395	Yes	C - C	
	40396	Yes	D - B	

✓ : RoHS compliant

RJFTV™ - PLUG AND RECEPTACLE WITH 360° EMI BACKSHELL



Description

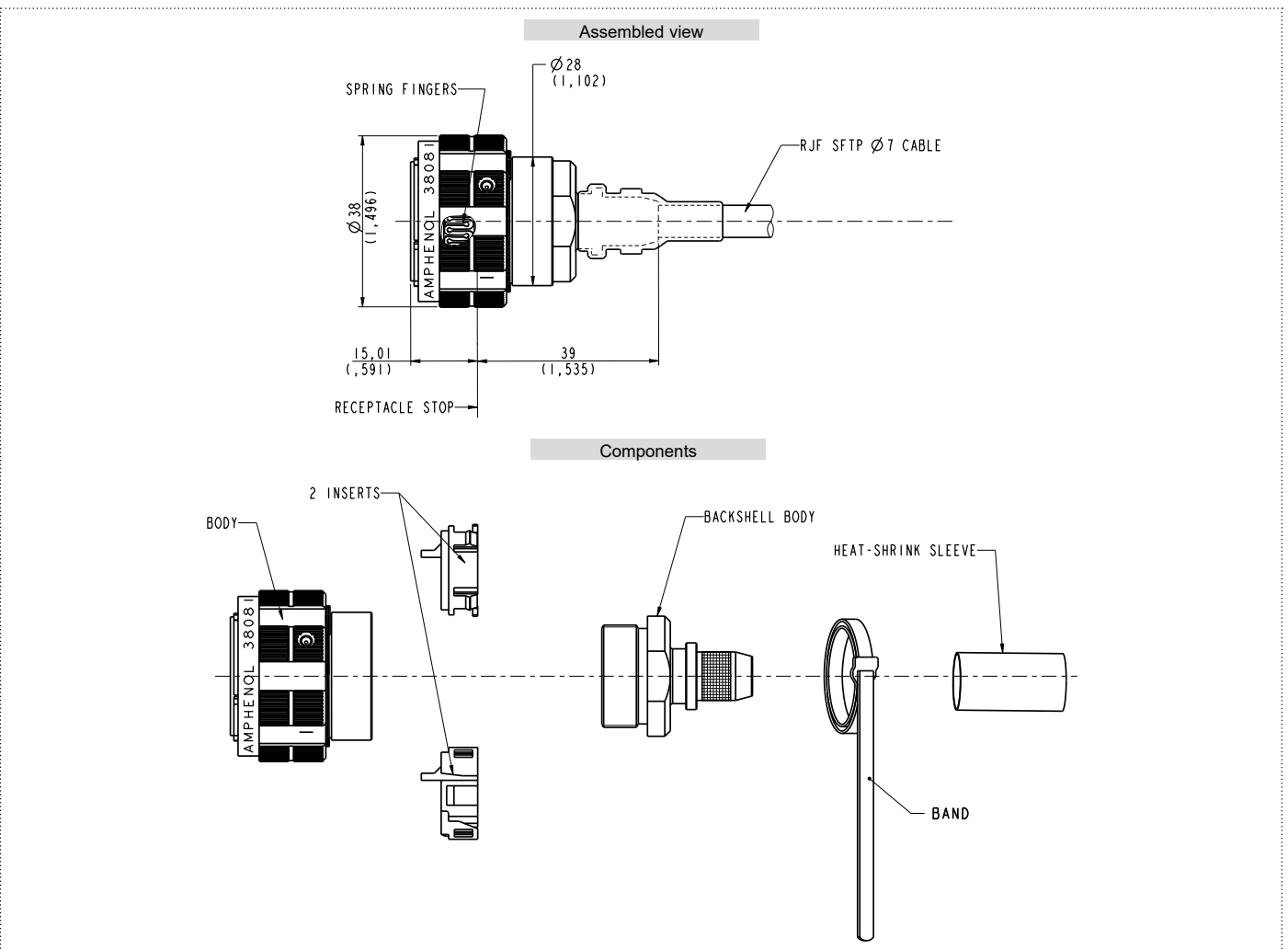
These RJFTV™ kits include all components necessary to build up a totally 360° EMI shield solution. Receptacle kits are mainly composed of an 360° backshell and the RJFTV™ PCB receptacle with 8 tinned holes for solder termination. With those receptacle kits provided without cable, you will have to solder your cable on the PCB. The plug kit is composed with the 360° backshell where you will have to include your own RJ45 cordset. You can find below, wires and shielding wire cabling specification.

We recommend to use our reinforced Ethernet cable (page 75). If you prefer to use your own cable, please check with us compatibility with our kit.

If you would like to receive a complete 360° EMI shield receptacle already mounted with a define length of cable, please consult us.

Overall dimension

Plug - Shell type 6 - Straight backshell - Metal gland



P/N	Plating
KIT38081NI	Nickel ✓
KIT38081	Olive drab cadmium
KIT38081ZN	Black zinc nickel ✓
KIT38081BZ	Marine bronze ✓

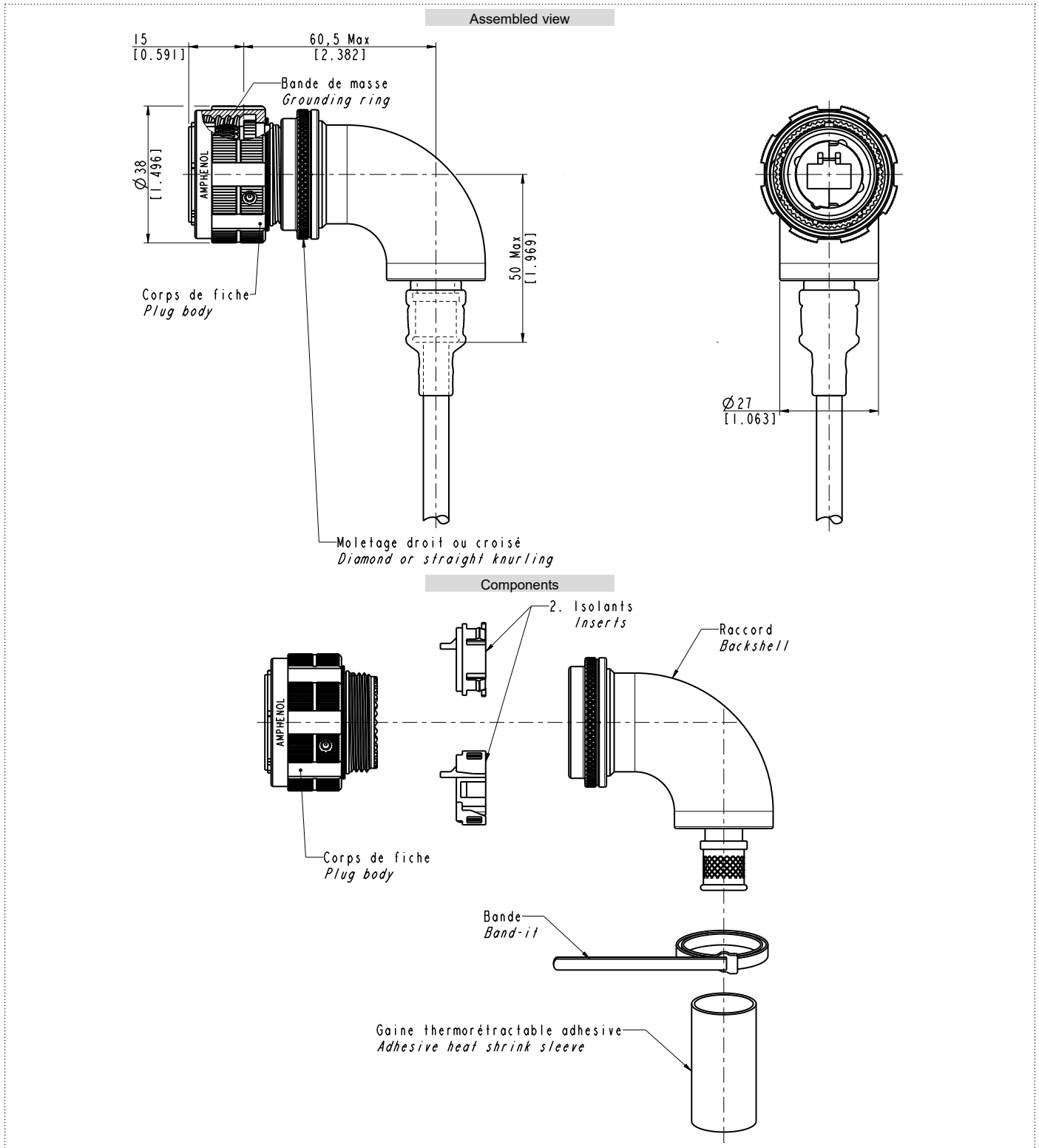
✓ : RoHS compliant

Metal range
Composite range
Cables and cordsets
Adaptors and access points
Accessories
Assembly instructions
How to order

RJFTV™ - PLUG AND RECEPTACLE WITH 360° EMI BACKSHELL

Overall dimension

Plug - Shell type 6 - Right angle backshell - Metal gland



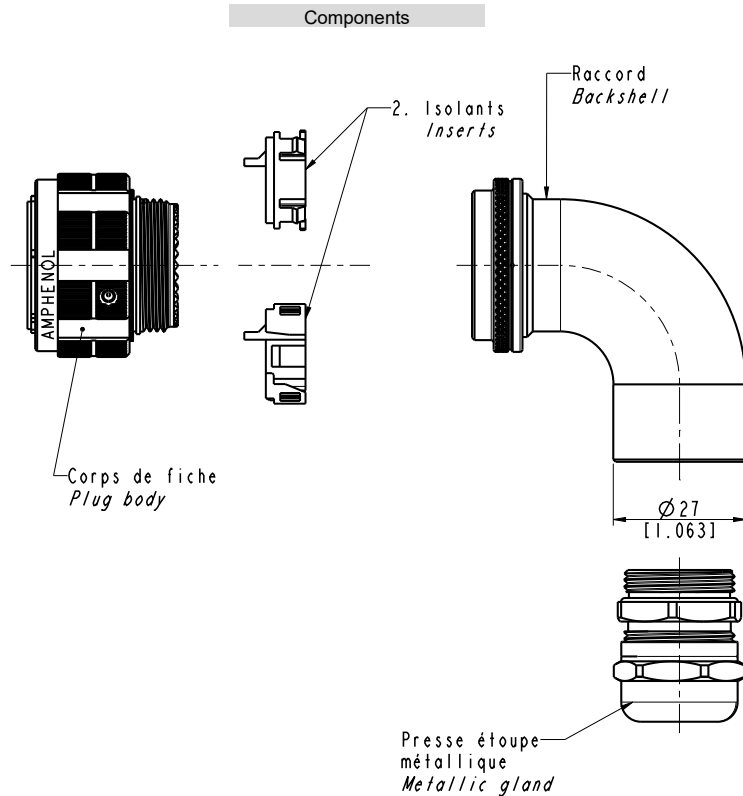
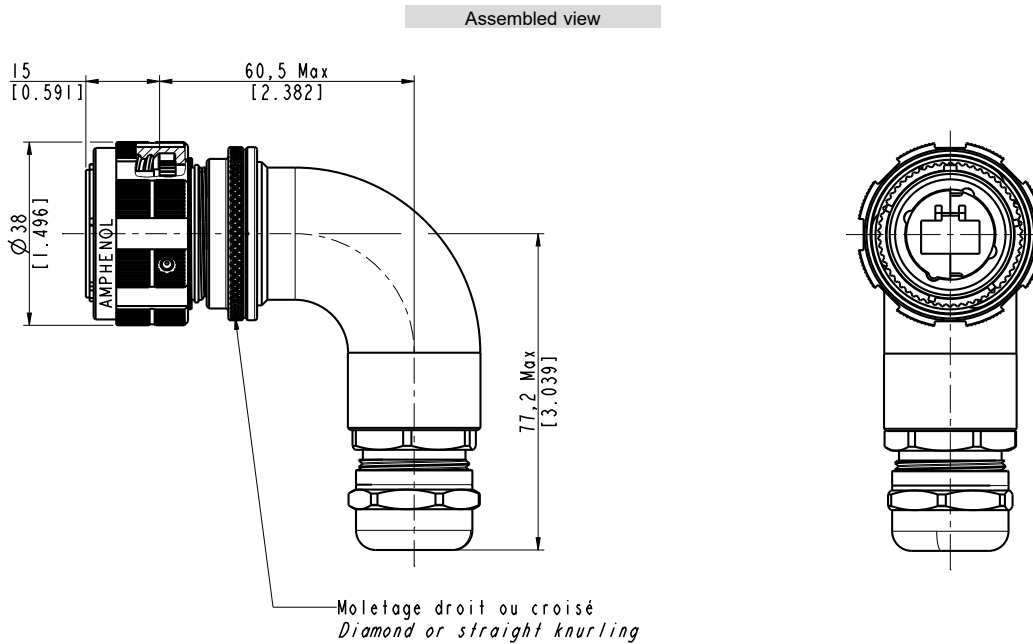
P/N	Plating
KIT40792NI	Nickel ✓
KIT40792	Olive drab cadmium
KIT40792ZN	Black zinc nickel ✓

✓ : RoHS compliant

RJFTV™ - PLUG AND RECEPTACLE WITH 360° EMI BACKSHELL

Overall dimension

Plug - Right angle backshell - Metal gland



Part number

KIT40036NI

KIT40036G

KIT40036ZN

Plating

Nickel ✓

Olive drab cadmium

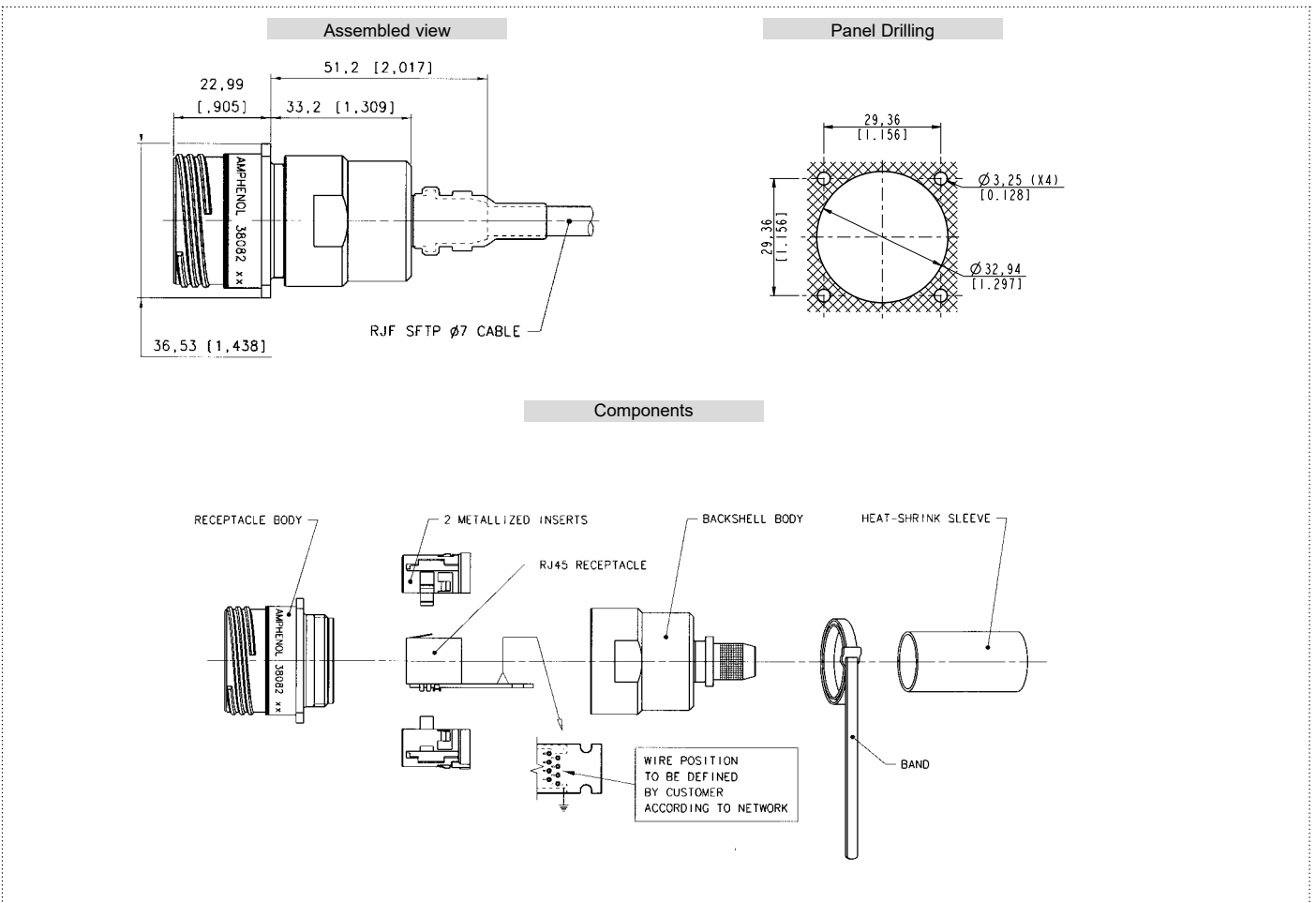
Black Zinc Nickel ✓

✓ : RoHS compliant

RJFTV™ - PLUG AND RECEPTACLE WITH 360° EMI BACKSHELL

Overall dimension

Square flange receptacle - 4 mounting holes - Shell type 2 - Straight backshell



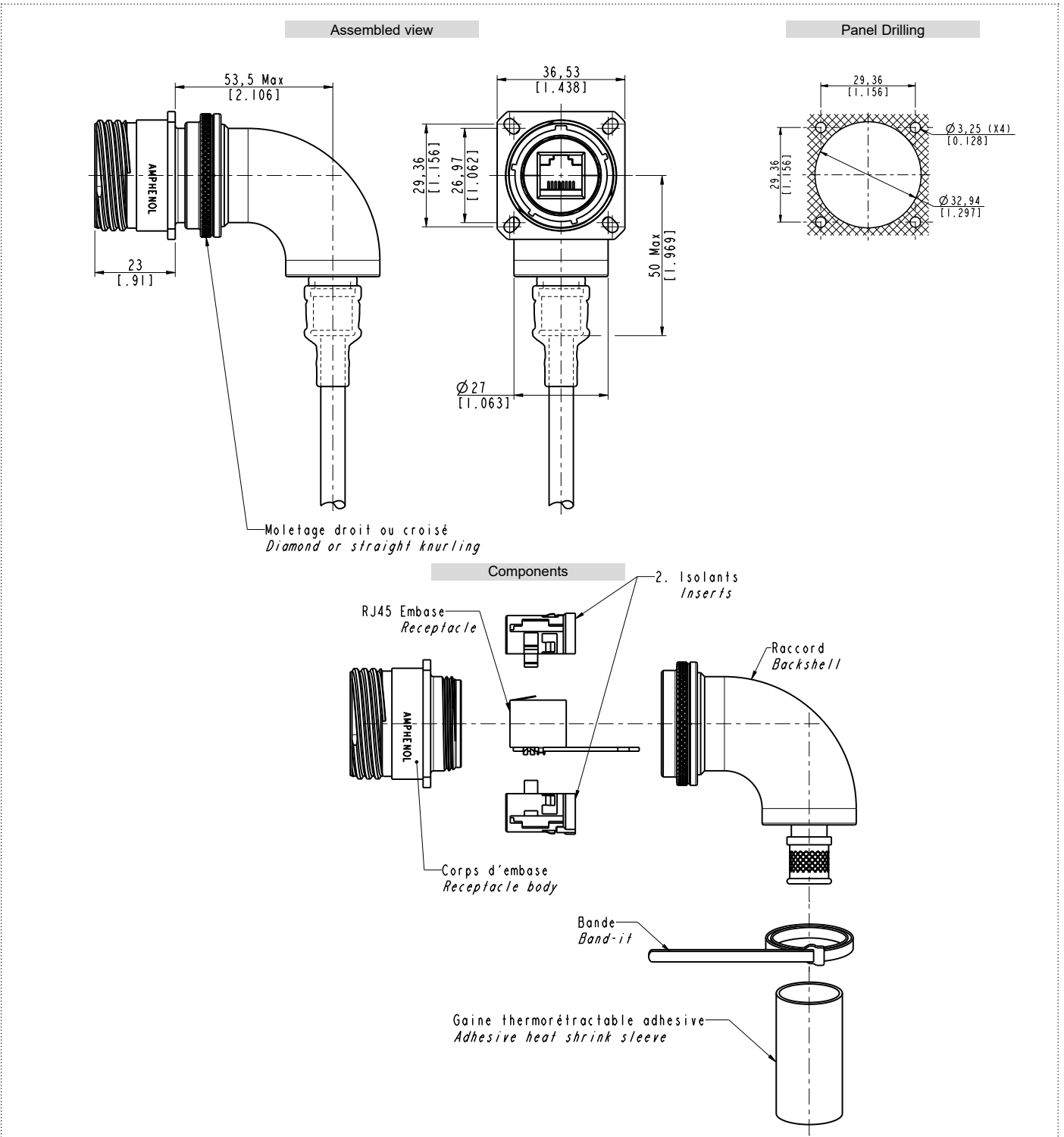
Data transmission	Part number	Plating
Cat.5e	KIT38082NI	Nickel ✓
	KIT38082	Olive drab cadmium
	KIT38082ZN	Black zinc nickel ✓
	KIT38082BZ	Marine bronze ✓

✓ : RoHS compliant

RJFTV™ - PLUG AND RECEPTACLE WITH 360° EMI BACKSHELL

Overall dimension

Square flange receptacle - 4 mounting holes - Shell type 2 - Right angle backshell



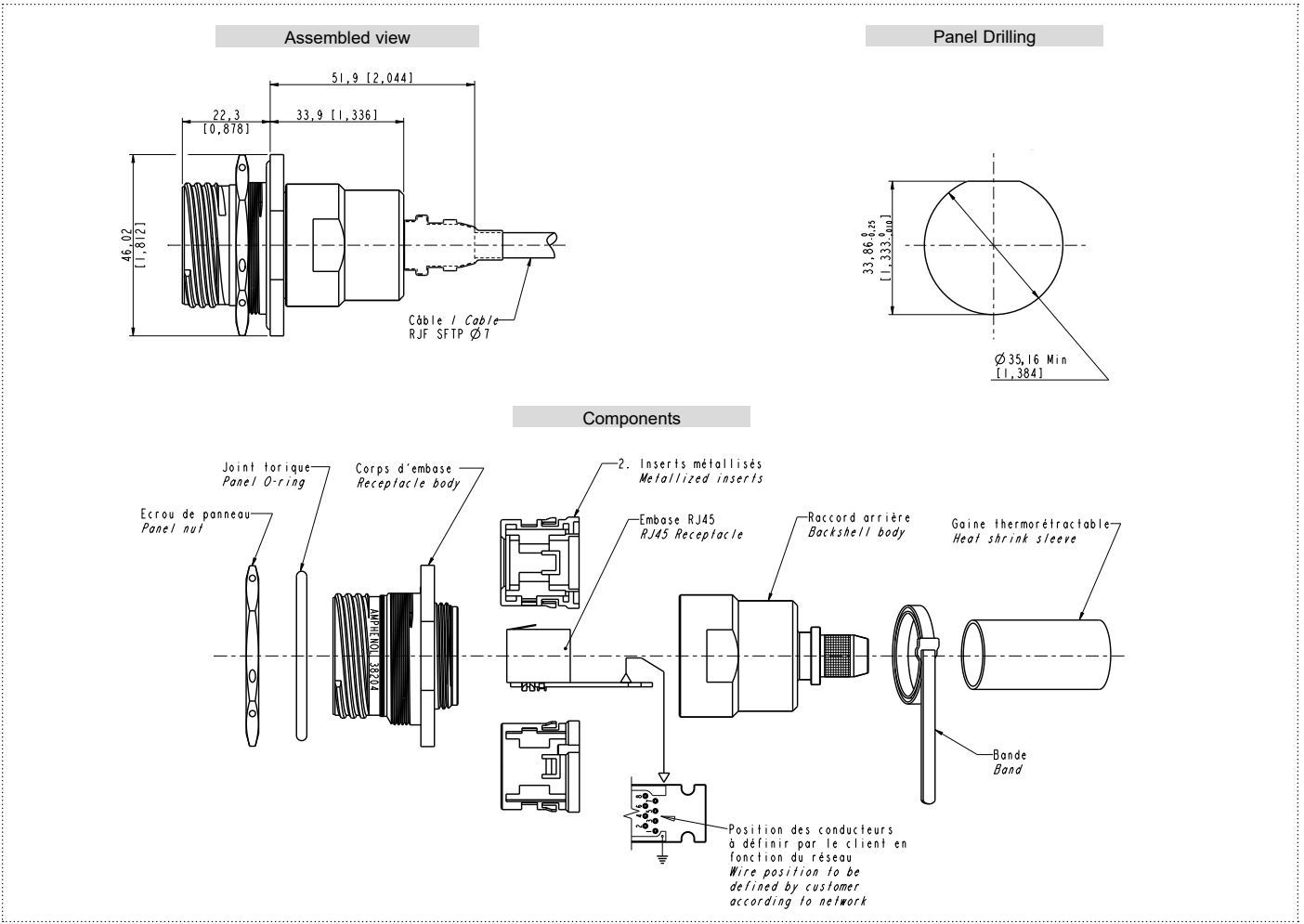
Data transmission	Part number	Plating
Cat.5e	KIT40791NI	Nickel ✓
	KIT40791	Olive drab cadmium
	KIT40791ZN	Black zinc nickel ✓

✓ : RoHS compliant

RJFTV™ - PLUG AND RECEPTACLE WITH 360° EMI BACKSHELL

Overall dimension

Jam nut receptacle - Hexagonal nut mounting - Shell type 7 - Straight backshell



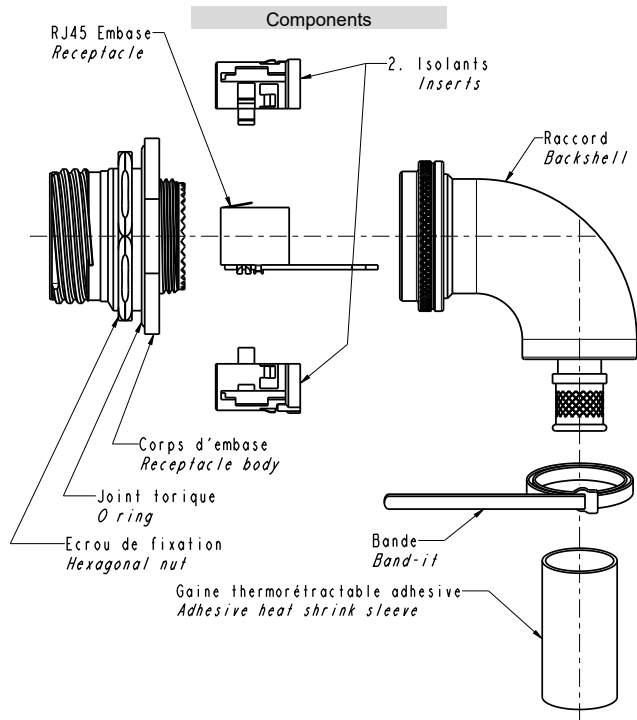
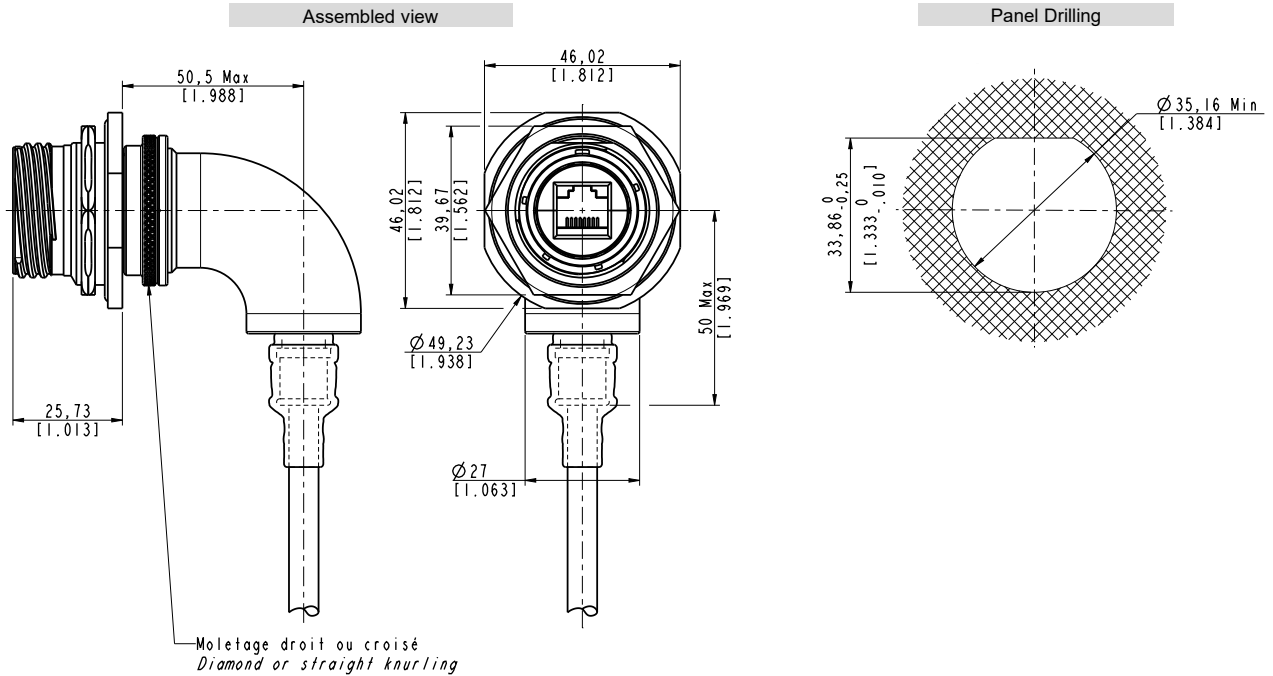
Data transmission	Part number	Plating
Cat.5e	KIT38204NI	Nickel ✓
	KIT38204	Olive drab cadmium
	KIT38204ZN	Black zinc nickel ✓
	KIT38204BZ	Marine bronze ✓

✓ : RoHS compliant

RJFTV™ - PLUG AND RECEPTACLE WITH 360° EMI BACKSHELL

Overall dimension

Jam nut receptacle - Hexagonal nut mounting - Shell type 7 - Right angle backshell



Data transmission	Part number	Plating
Cat.5e	KIT40771NI	Nickel ✓
	KIT40771	Olive drab cadmium
	KIT40771ZN	Black zinc nickel ✓

✓ : RoHS compliant

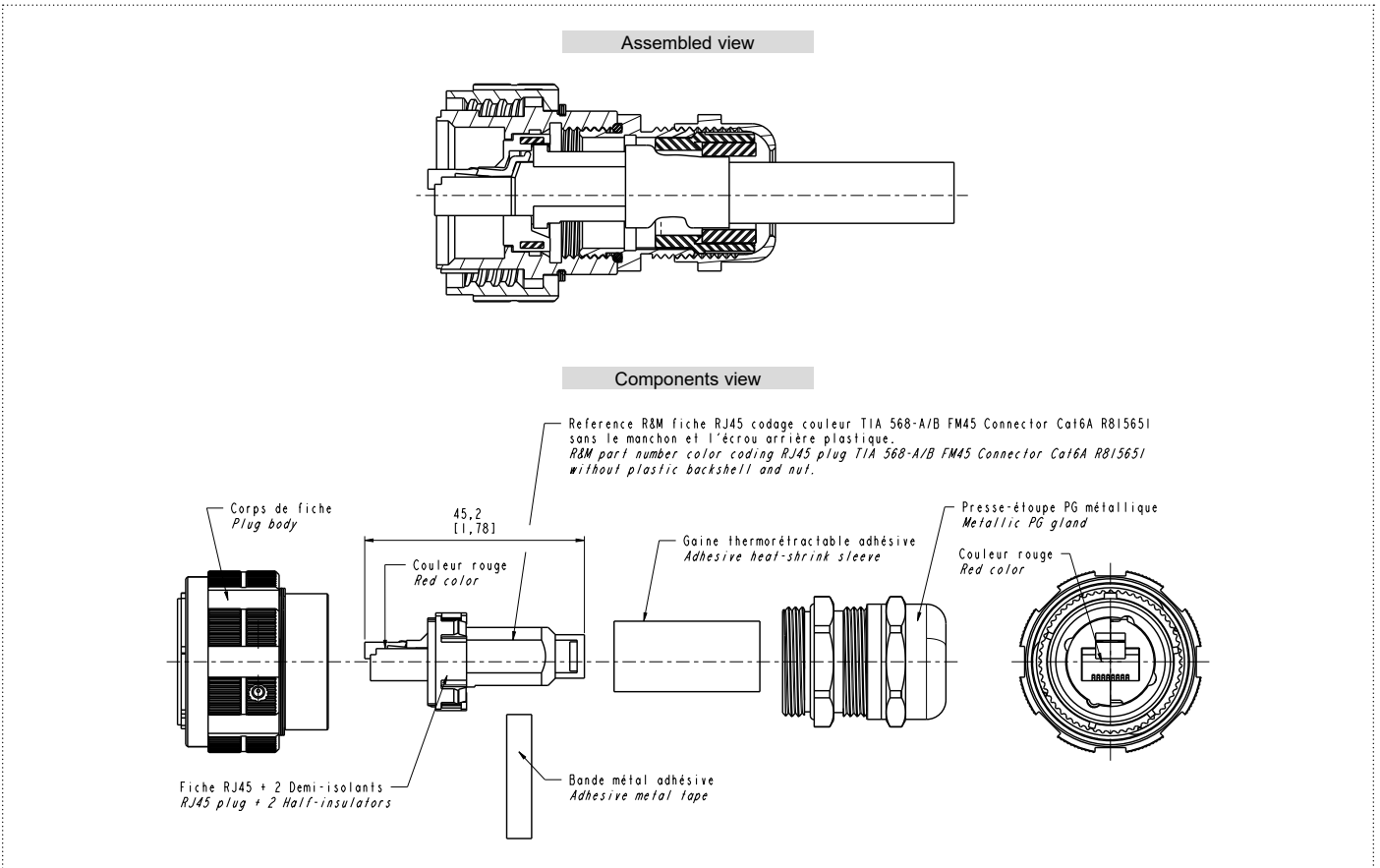
RJFTV™ - PLUG AND RECEPTACLE FOR BIG INSULATION WIRE UP TO 1.6 MM



Description

This RJFTV kit includes all the necessary components to assemble a RJFTV plug, particularly if you foresee using a large ethernet cable. The kits are composed of a specific RJ45 Cat6A plug that should be crimped to the cable. The adhesive metal tape and the heat shrink boot provide a proper finish and electrical insulation. Finally, the RJStop that is included in this kit, is perfectly adapted to the RJ45 Cat6A plug.

Plug - Shell type 6 - Metal gland



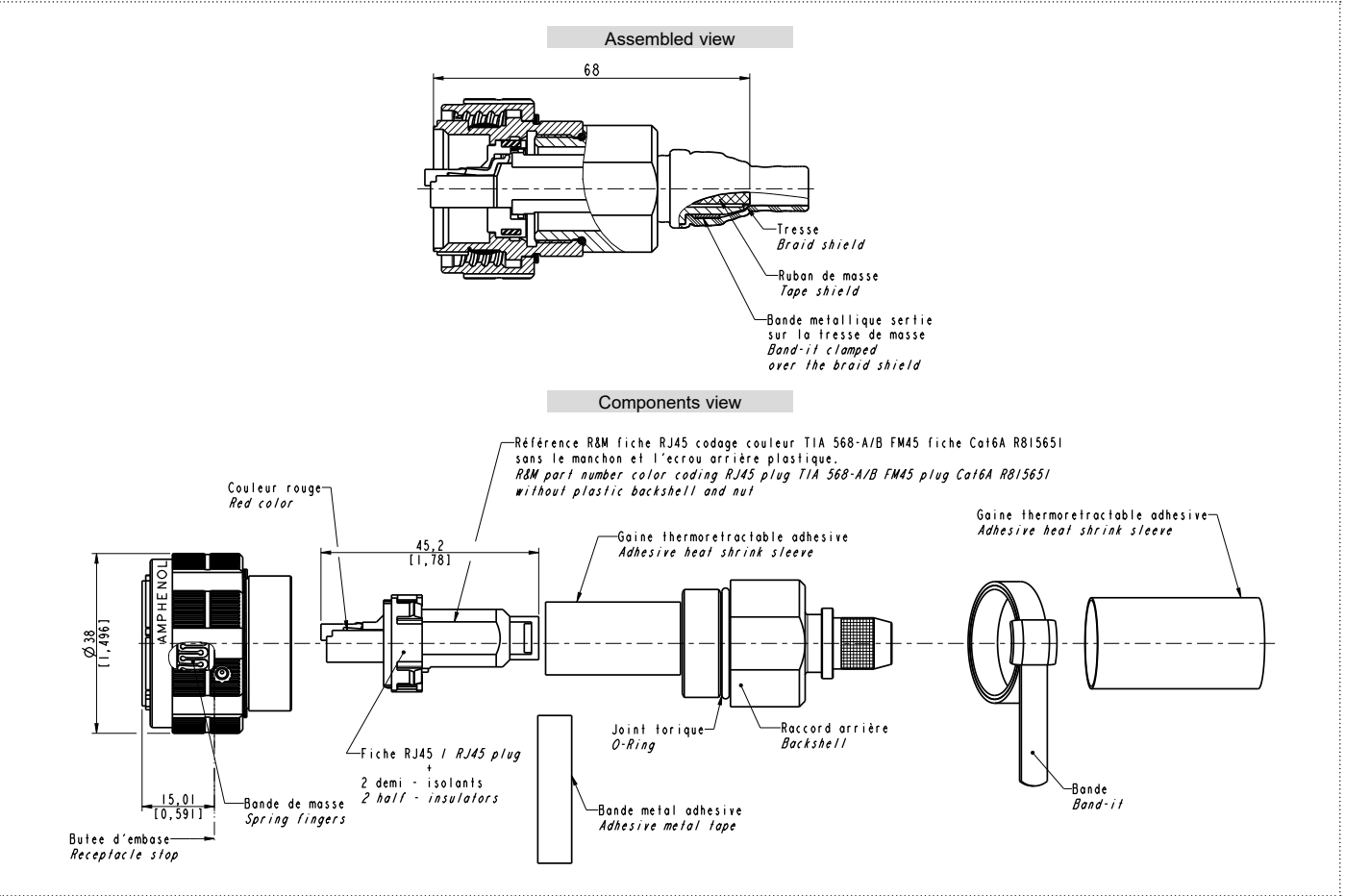
Data transmission	Part number	Plating
Cat.6A	35660	Nickel ✓
	35660G	Olive drab cadmium
	35660ZN	Black zinc nickel ✓
	35661	Marine bronze ✓

✓ : RoHS compliant

RJFTV™ - PLUG AND RECEPTACLE FOR BIG INSULATION WIRE UP TO 1.6 MM

Overall dimension

Plug - Shell type 6



Data transmission	Part number	Plating
Cat.6A	35498N	Nickel ✓
	35498	Olive drab cadmium
	35498ZN	Black zinc nickel ✓
	35498BZ	Marine bronze ✓

✓ : RoHS compliant

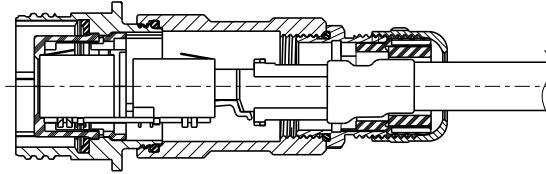
Metal range
Composite range
Cables and cordsets
Adaptors and access points
Accessories
Assembly instructions
How to order

RJFTV™ - PLUG AND RECEPTACLE FOR BIG INSULATION WIRE UP TO 1.6 MM

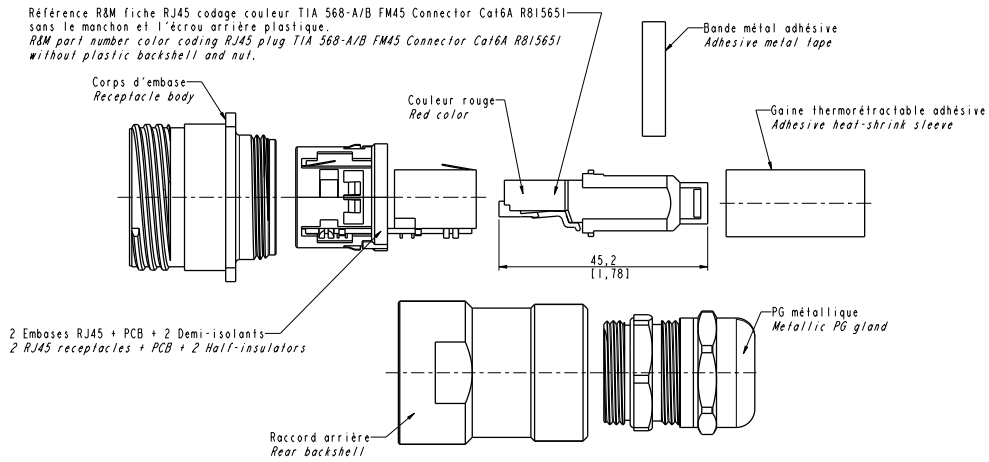
Overall dimension

Square flange receptacle - 4 mounting holes - Shell type 2 - Backshell with metal gland

Assembled view



Components view



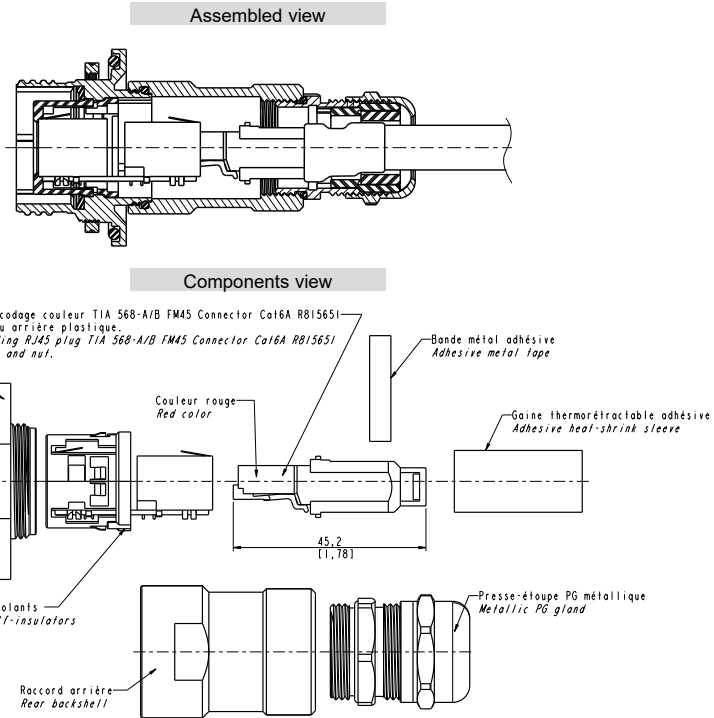
Data transmission	Part number	Plating
Cat.6A	35657	Nickel ✓
	35657G	Olive drab cadmium
	35657ZN	Black zinc nickel ✓
	35658	Marine bronze ✓

✓ : RoHS compliant

RJFTV™ - PLUG AND RECEPTACLE FOR BIG INSULATION WIRE UP TO 1.6 MM

Overall dimension

Jam nut receptacle - Hexagonal nut mounting - Shell type 7 - Backshell with metal gland



Data transmission	Part number	Plating
Cat.6A	35688	Nickel ✓
	35688G	Olive drab cadmium
	35688ZN	Black Zinc Nickel ✓
	35689	Marine Bronze ✓

✓ : RoHS compliant

Metal range
Composite range
Cables and cordsets
Adaptors and access points
Accessories
Assembly instructions
How to order

RJFTV™ - ATEX ZONE 2



Description

RJFTVX connectors are certified for use in explosive environments. This range is designed to be used in ATEX zone 2 environments and 100% tested at 500V during 1 minute without sparking.

MAIN CHARACTERISTICS

- Ex marking : II3G ExnAII T6 X
- Operating temperature range : -40°C / +60°C
- Voltage : 60 Veff max
- Power : 20 W max
- Outside cable diameter : 6mm to 12mm
- Sealing : IP68

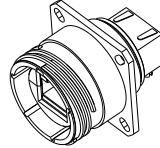
DATA TRANSMISSION

- 10 BaseT, 100 BaseTX and 1000 BaseT networks
- Cat 5e per TIA/EIA 568B and ClassD per ISO/IEC 11801
- Cat.6 per TIA/EIA 568B and ClassE per ISO/IEC 11801
- Cat.6A per TIA/EIA 568B and ClassEa per ISO/IEC 11801

How to order : Please refer to page 118

Back terminations

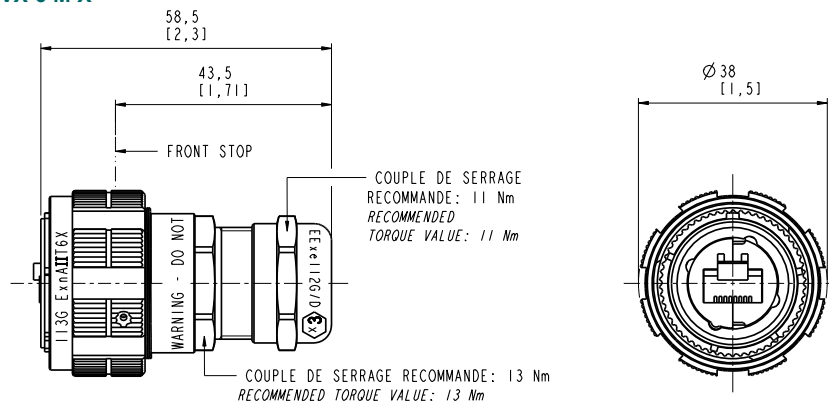
Type 1:
Female RJ11



Overall dimension

Atex plug - Shell type 6

Part number type : **RJFTVX 6 M X**

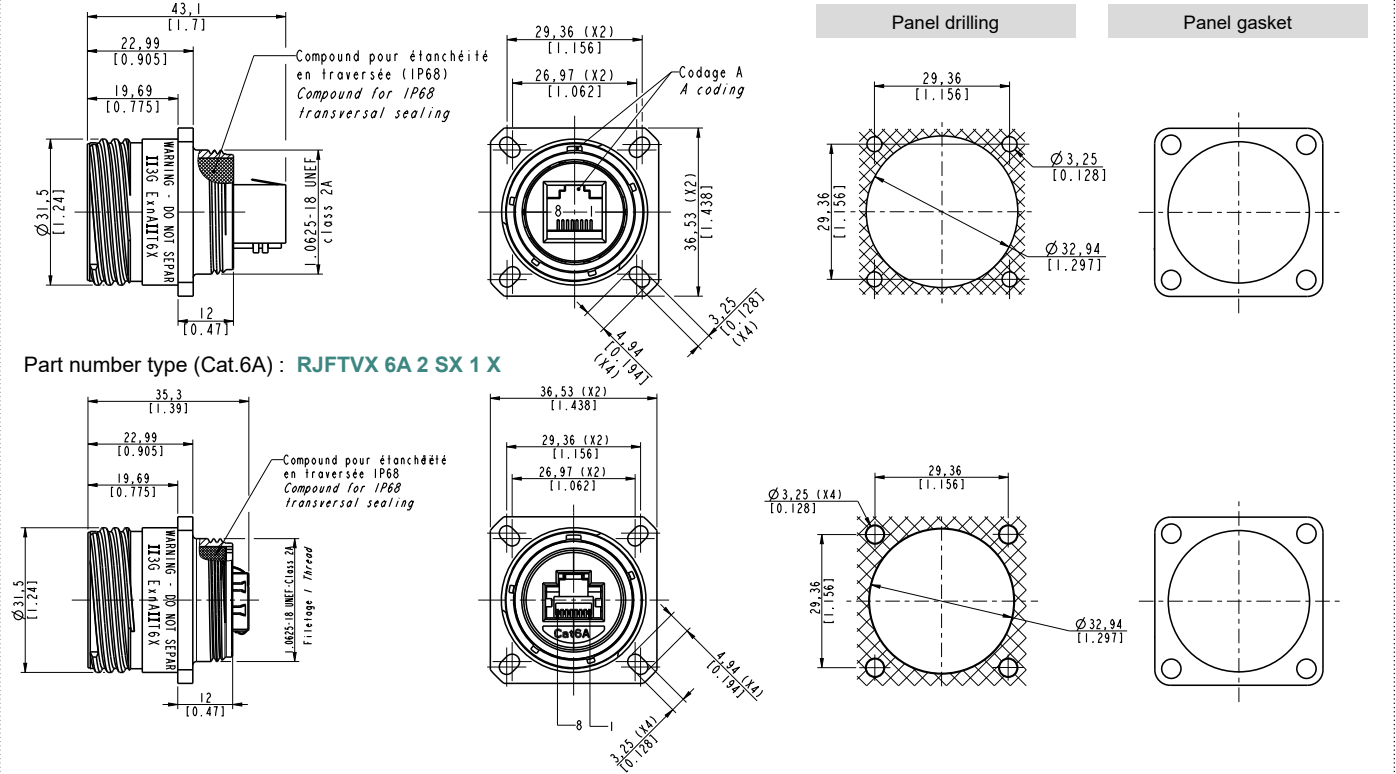


RJFTV™ - ATEX ZONE 2

Overall dimension

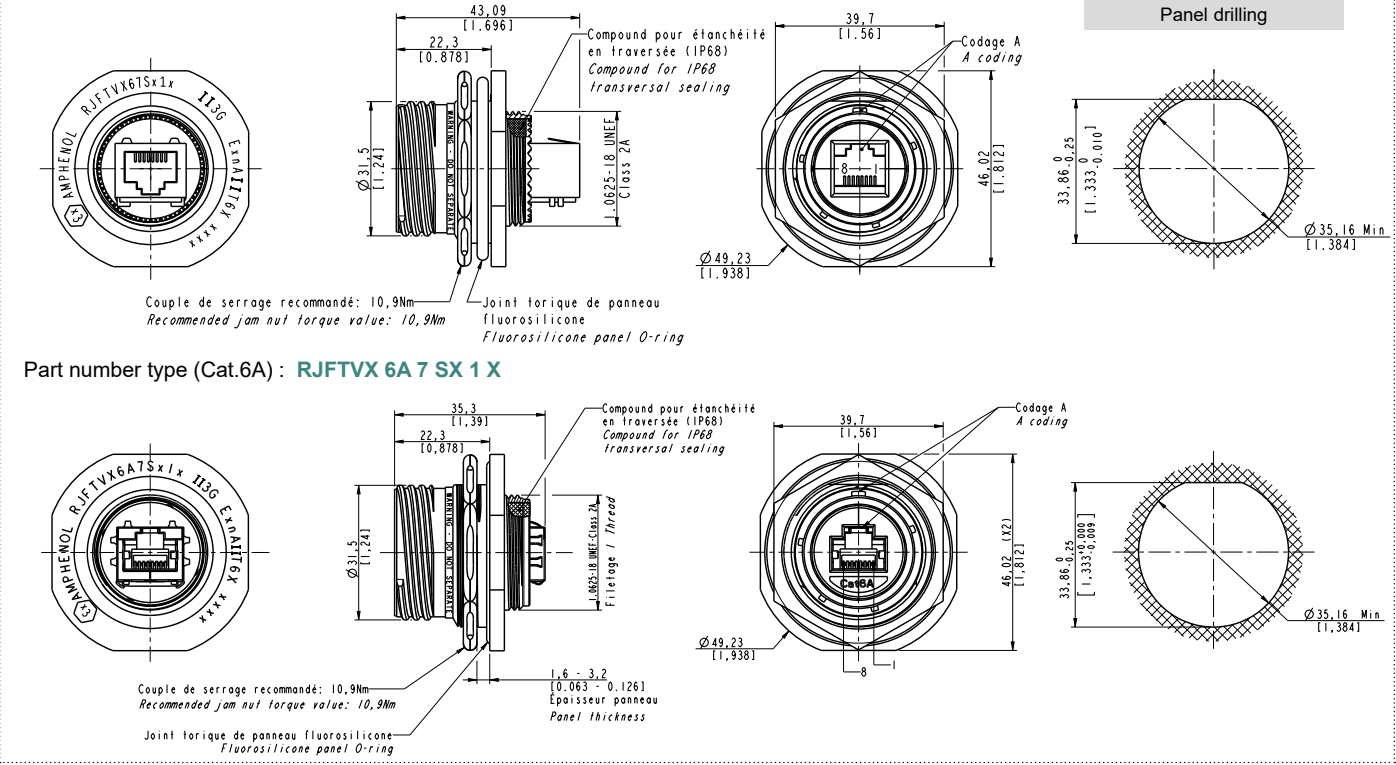
Atex receptacle - Square flange receptacle - 4 mounting holes - Shell type 2 - Back termination type 1

Part number type (Cat.5e) : **RJFTVX 2 SX 1 X**
 Part number type (Cat.6) : **RJFTVX 6 2 SX 1 X**



Atex receptacle - Jam nut receptacle - Hexagonal nut mounting - Shell type 7 - Back termination type 1

Part number type (Cat.5e) : **RJFTVX 7 SX 1 X**
 Part number type (Cat.6) : **RJFTVX 6 7 SX 1 X**

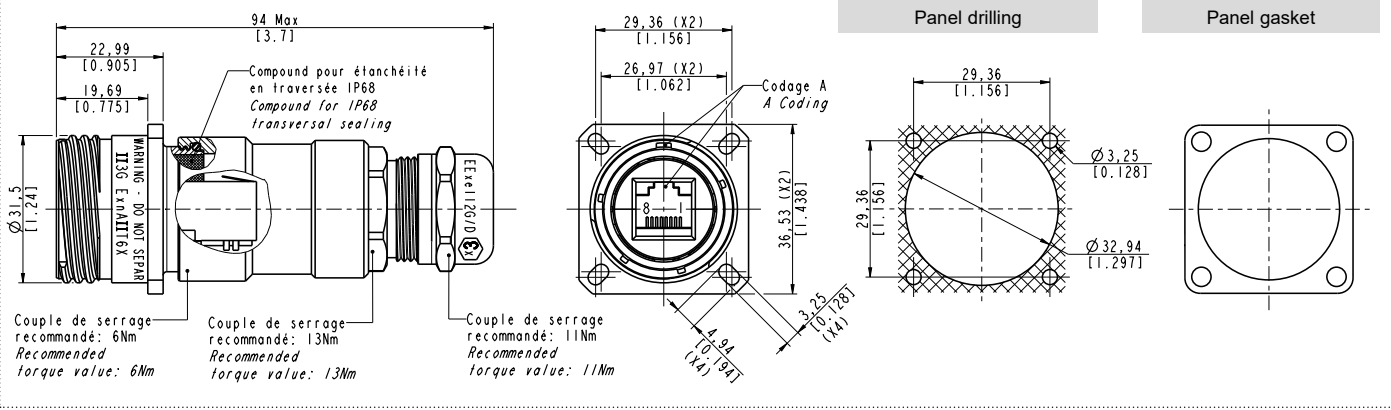


RJFTV™ - ATEX ZONE 2

Overall dimension

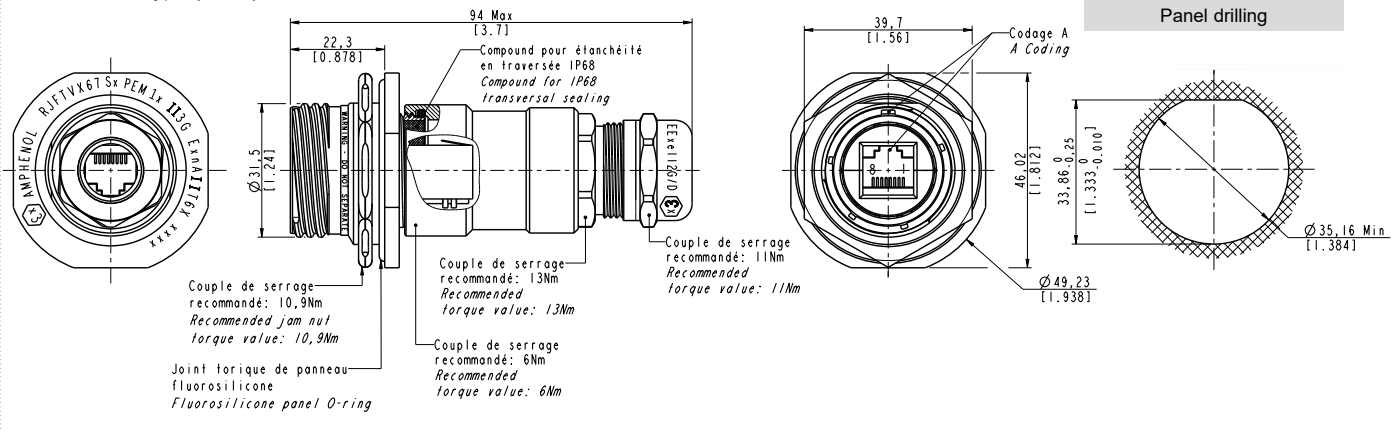
Atex receptacle - Square flange receptacle - 4 mounting holes - Shell type 2 - Backshell with metal gland

Part number type (Cat.5e) : **RJFTVX 2 SX PEM 1 X**
 Part number type (Cat.6) : **RJFTVX 6 2 SX PEM 1 X**



Atex receptacle - Jam nut receptacle - Hexagonal nut mounting - Shell type 7 - Backshell with metal gland

Part number type (Cat.5e) : **RJFTVX 7 SX PEM 1 X**
 Part number type (Cat.6) : **RJFTVX 6 7 SX PEM 1 X**



RJ11FTV - ATEX ZONE 2



Description

RJ11FTVX connectors allow you to use a standard RJ11 connection in Atex zone 2 environments. This range is designed to be used in Atex zone 2 environments and 100% tested at 500V during 1 minute without sparking. This solution has several advantages. The assembly of your solutions is fast and easy because you don't need any tool. You can choose between four different codings on the plug and receptacle side. With the help of dedicated tool you can remove the insert of the receptacle in order to change the coding if needed. You can also use it for reparation or maintenance. Everything can be done in place.

Main features

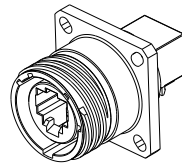
MAIN CHARACTERISTICS

- Ex marking : II3G ExnAIIIT6 X
- Operating temperature range : -40°C / +60°C
- Voltage : 60 Veff max
- Power : 20 W max
- Outside cable diameter : 4 to 5,5mm
- Sealing : IP68

How to order : Please refer to page 119

Back terminations

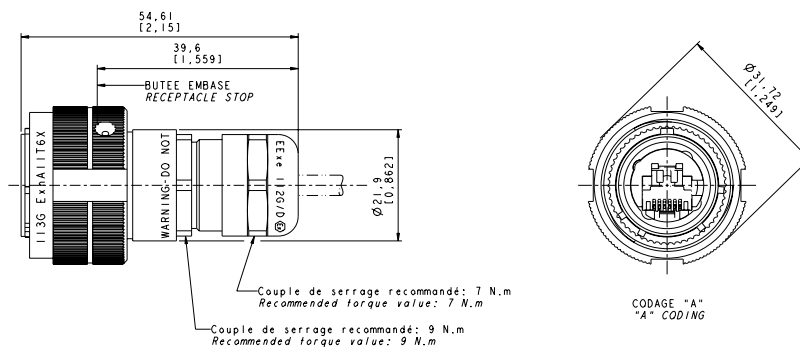
Type 1:
Female RJ11



Overall dimension

Atex plug - Shell type 6

Part number type : **RJ11FTVX 6 M X**



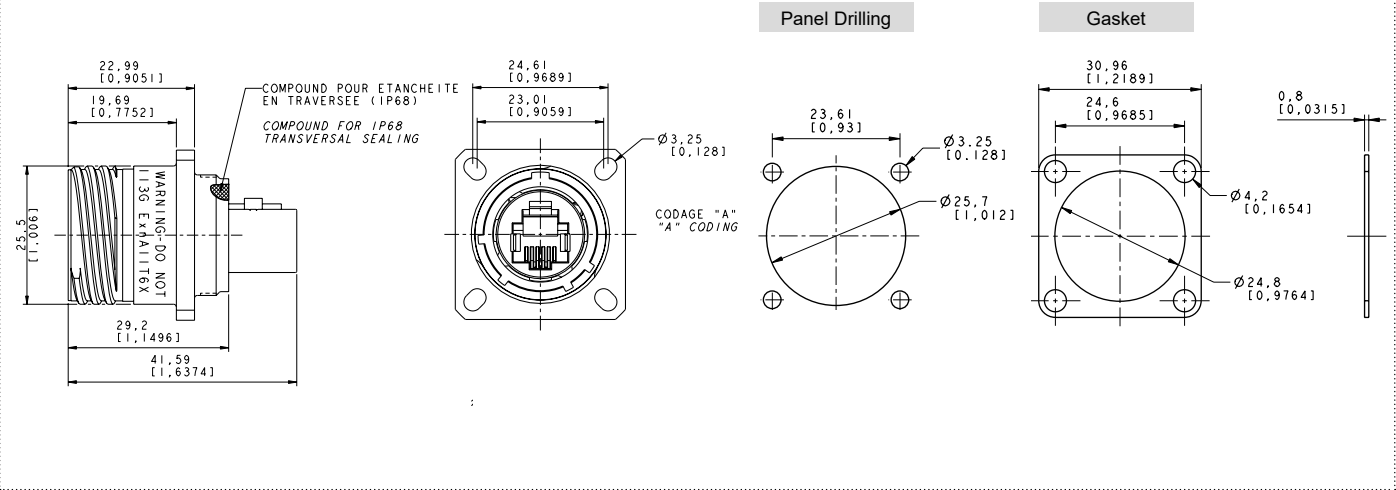
✓ : RoHS compliant

RJ11FTV - ATEX ZONE 2

Overall dimension

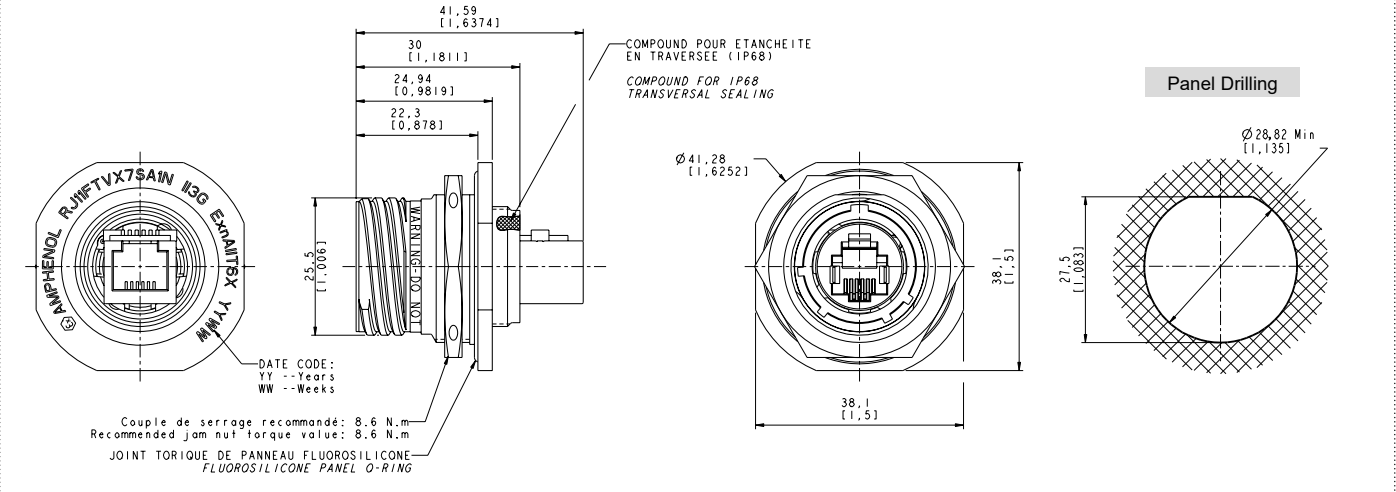
Atex square flange receptacle - 4 mounting holes - Shell type 2

Part number type : **RJ11FTVX 2 SA 1 X**



Atex jam nut receptacle - Hexagonal nut mounting - Shell type 7

Part number type : **RJ11FTVX 7 SA 1 X**



Important note:

- Due to the compound, the coding orientation has to be define in the reference.
- To choose your coding orientation, please refer to "Assembly instructions" page 104.



COMPOSITE RANGE



Table of contents

COMPOSITE RANGE	67
RJFRB	68
RJF544	71

RJFRB



Description

The RJFRB is a ruggedized composite connector with reverse bayonet coupling. You can use your standard RJ45 cordset, clipping it into the plug to obtain a reinforced solution. The receptacle is also easy to install, especially concerning IDC versions (Insulation Displacement Contact) possible in three different shielding options. This solution is perfectly suitable for an industrial environment for quick coupling solution.

Main features

MAIN CHARACTERISTICS

- Sealed against fluids and dust (IP68)
- Shock, vibration and traction resistant
- No cabling operation in field, no tools required
- Reverse bayonet coupling
- RJ45 cordset retention in the plug: 70 N in the axis
- Mating cycles: 500 min
- Compatible with cable diameter from 5,5 mm [0.216 in] to 7 mm [0.275 in]

DATA TRANSMISSION

- 10 BaseT, 100 BaseTX and 1000 BaseT networks
- Cat.5e per TIA/EIA 568B and ClassD per ISO/IEC 11801
- Cat.6 per TIA/EIA 568B and ClassE per ISO/IEC 11801

ENVIRONMENTAL PROTECTION

- Sealing: IP68
- Salt spray: 1000 h
- Fire retardant / Low smoke: UL94 V0 and EN45545
- Operating temperature: - 40°C / +85°C

APPLICATIONS

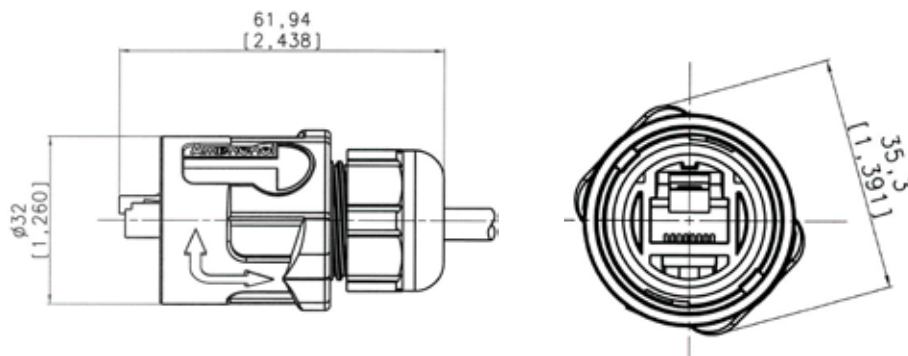
- Telecom equipments
- Video control
- Robotics
- Industrial process control
- CNC machines
- Special machines
- Motion control

How to order : Please refer to page 120

Overall dimension

Plug - Shell type 6

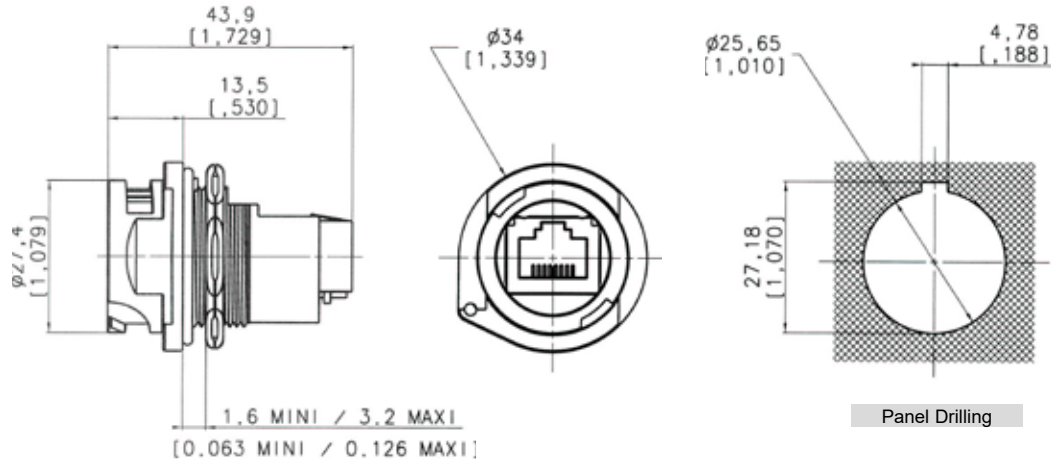
Part number type : **RJFRB 6**



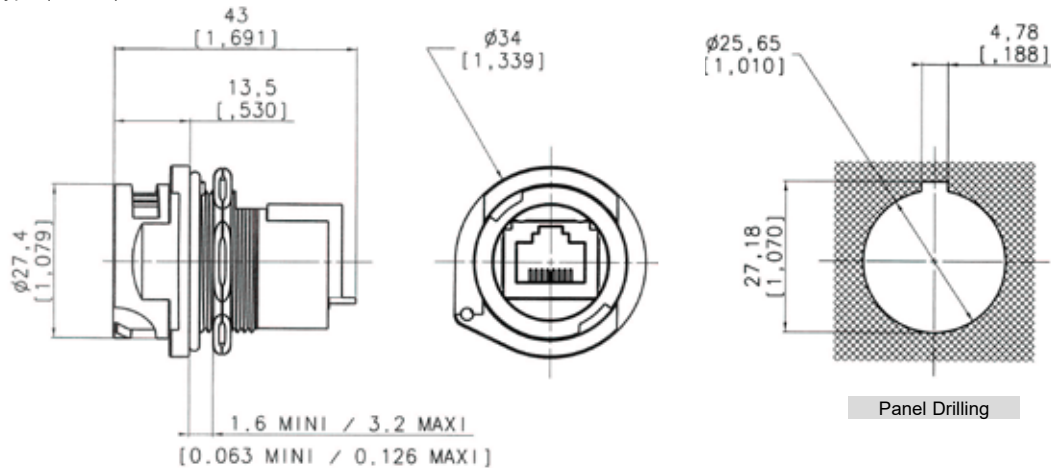
RJFRB

Overall dimension

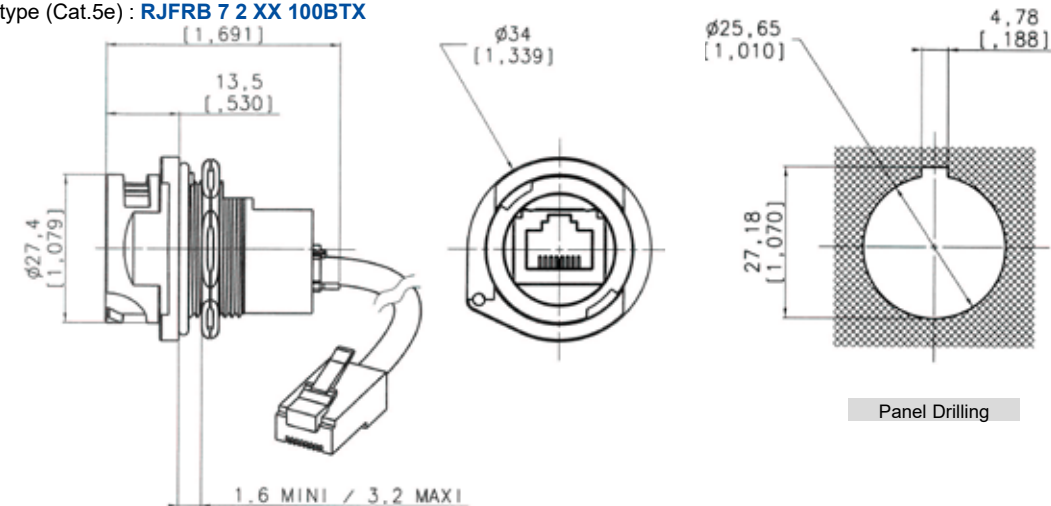
Receptacle - Shell type 1 - Front mounting - Female RJ45

Part number type (Cat.5e) : **RJFRB 7 1**

Receptacle - Shell type 1RA - Front mounting - Female RJ45

Part number type (Cat.5e) : **RJFRB 7 1RA**

Receptacle - Shell type 2 - Front mounting - RJ45 cordset

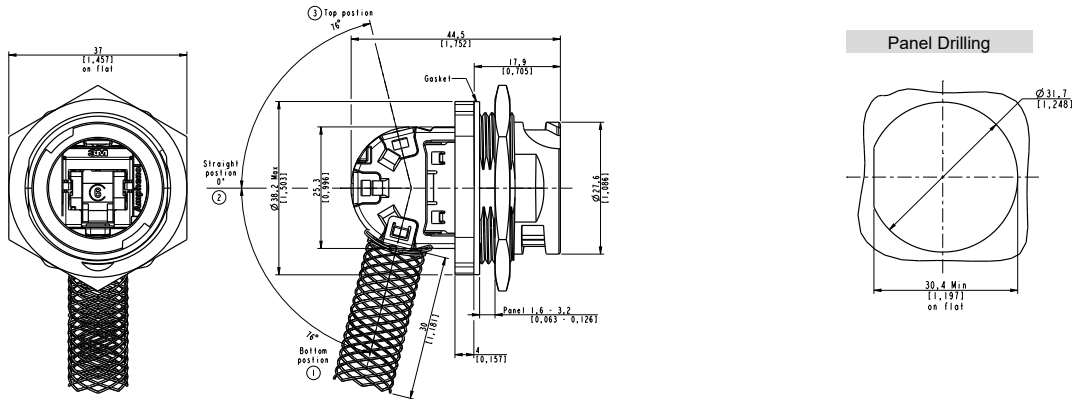
Part number type (Cat.5e) : **RJFRB 7 2 XX 100BTX**

RJFRB

Overall dimension

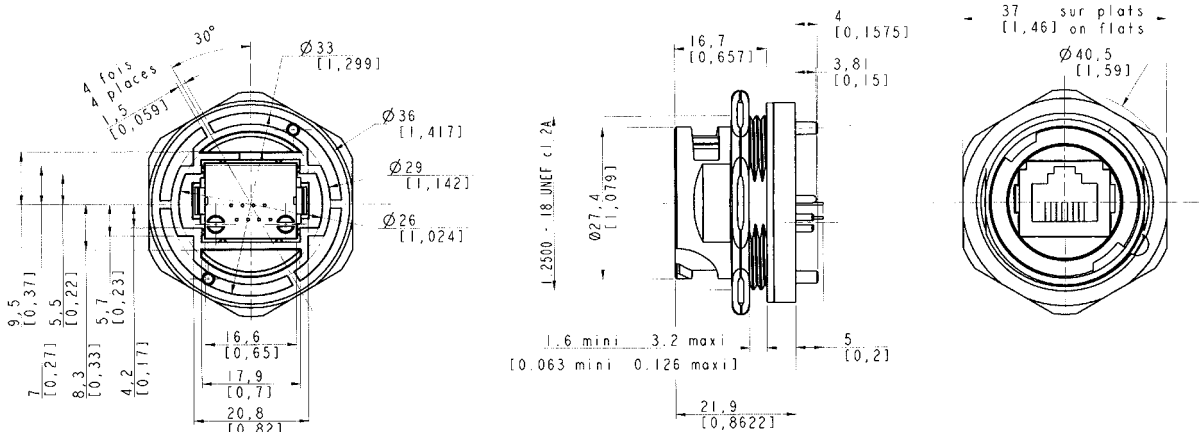
Receptacle - Shell type 3 - Rear mounting - IDC CAT 6 termination - Unshielded, partially shielded or shielded

Part number type (Cat.6) : **RJFRB 7 3X**

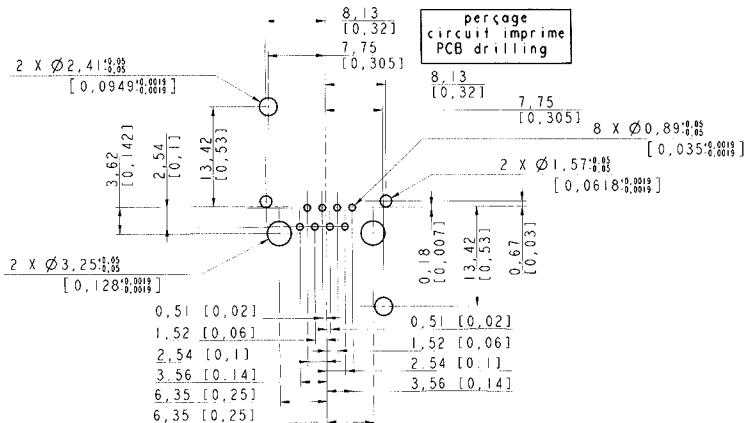


Receptacle - Shell type 5 - Rear mounting - PC tails

Part number type (Cat.5e) : **RJFRB 7 5**



PCB drilling



RJF544



Description

The RJF544 can be connected on its receptacle using a quick and easy push-pull mechanism. These ruggedized composite shells are easily mounted with our patented RJStop. The receptacle on equipment can be configured with three types of outputs. Simply with another socket RJ45 receptacle straight or right angled, an RJ45 cordset where you can define the length or a PCB to solder your own cable.

Main features

MAIN CHARACTERISTICS

- Compliant with IEC 60603-7 variante 12
- Shock, vibration and traction resistant
- No cabling operation in field and no tools required
- Sealed against fluids and dust (IP68)
- Quick push pull coupling
- RJ45 cordset retention in the plug: 100 N in the axis
- Mating cycles: 500 min
- Improved EMI Protection
- Compatible with cable diameter from 6 mm [0.236 in] to 13 mm [0.512 in]

DATA TRANSMISSION

- 10 BaseT, 100 BaseTX and 1000 BaseT networks
- Cat.5e per TIA/EIA 568B and ClassD per ISO/IEC 11801
- Cat.6 per TIA/EIA 568B and ClassE per ISO/IEC 11801

ENVIRONMENTAL PROTECTION

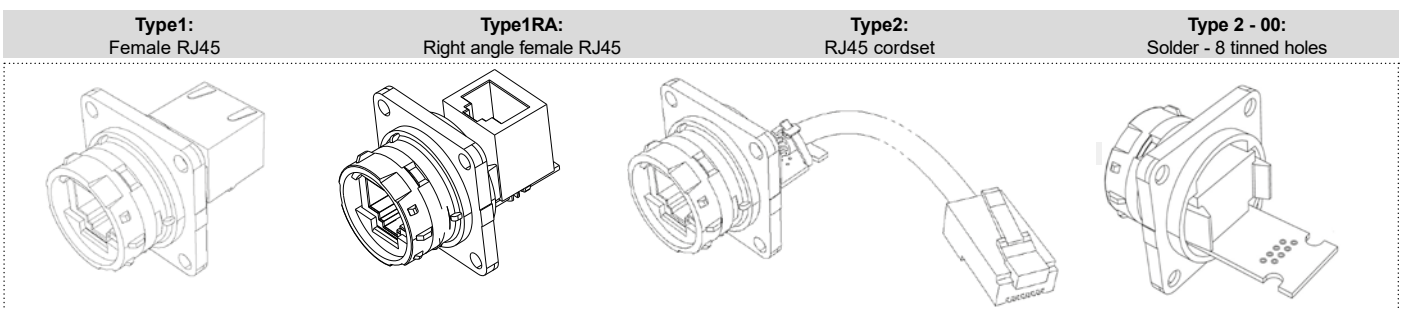
- Sealing: IP68
- Salt spray: 1000 h
- Fire retardant / Low smoke: UL94 V0 and NFF 16102, DIN 5510-2
- Vibrations: 10 – 500 Hz, 10 g, 3 axes: no discontinuity > 10 nano s.
- Operating temperature: - 40°C / +85°C

APPLICATIONS

- Telecom equipment
- Video control
- Robotics
- Industrial process control
- CNC machines
- Special machines
- Motion control
- Tele-maintenance

How to order : Please refer to page 121

Back terminations

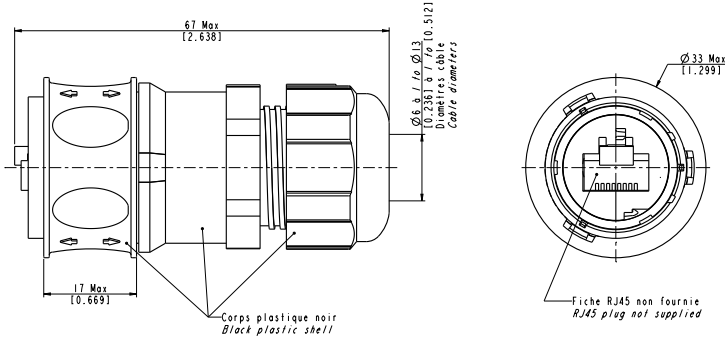


RJF544

Overall dimension

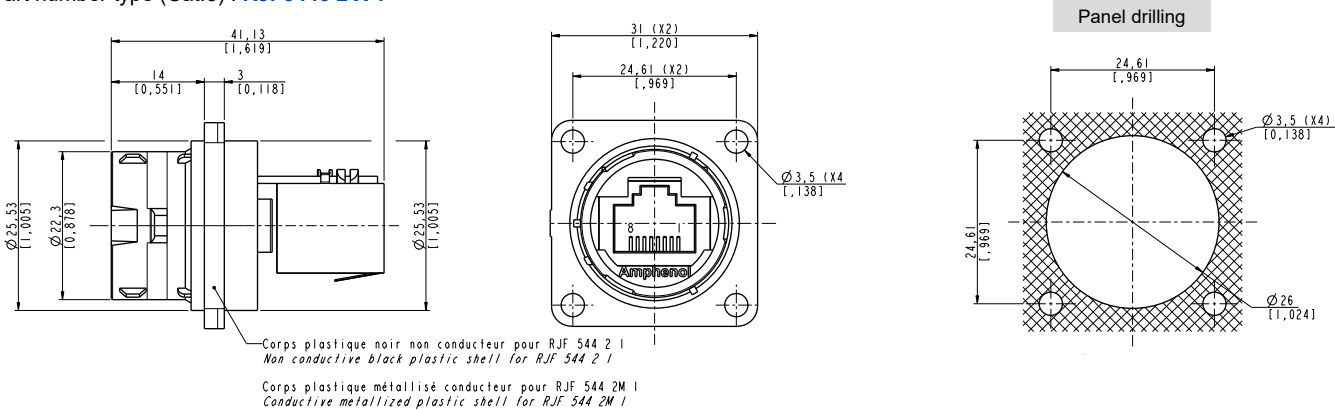
Plug - Shell type 6

Part number type : **RJF544 6**



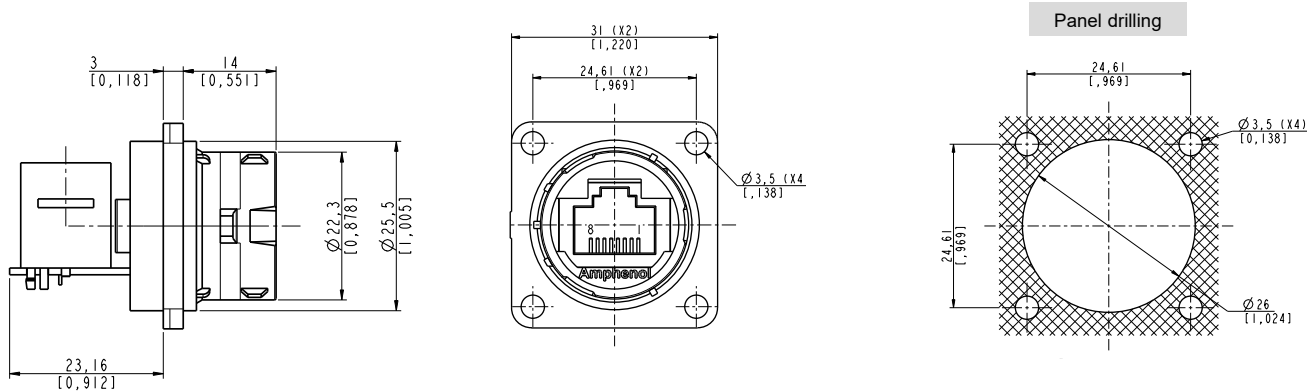
Receptacle - Square flange receptacle - 4 mounting holes - Shell type 2 - Back termination type 1

Part number type (Cat.5e) : **RJF544 2 X 1**
 Part number type (Cat.6) : **RJF5446 2 X 1**



Receptacle - Square flange receptacle - 4 mounting holes - Shell type 2 - Back termination type 1RA

Part number type (Cat.5e) : **RJF544 2 X 1RA**

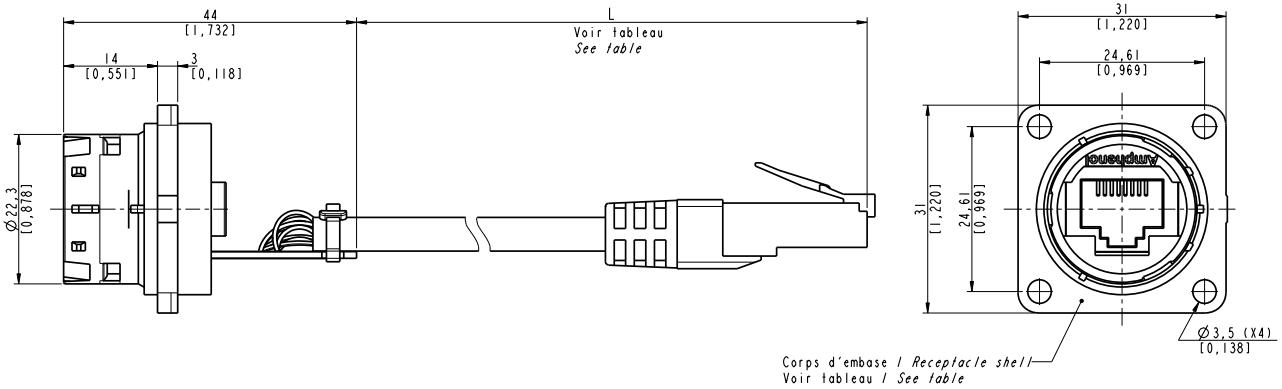


RJF544

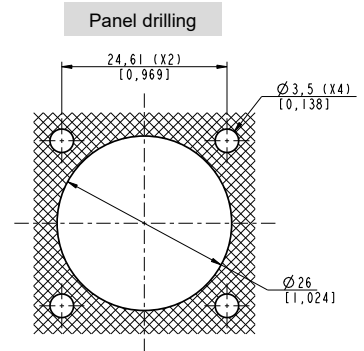
Overall dimension

Receptacle - Square flange receptacle - 4 mounting holes - Shell type 2 - Bac termination type 2

Part number type (Cat.5e) : **RJF544 2 X 2 XX 100BTX**

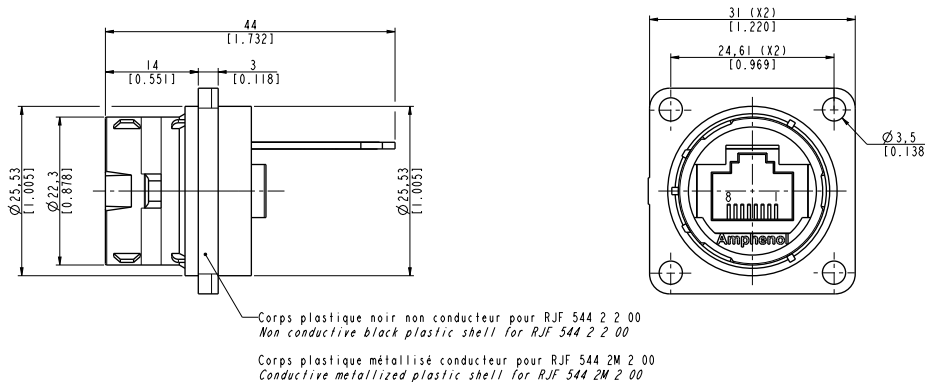


Corps d'embase / Receptacle shell
Voir tableau / See table



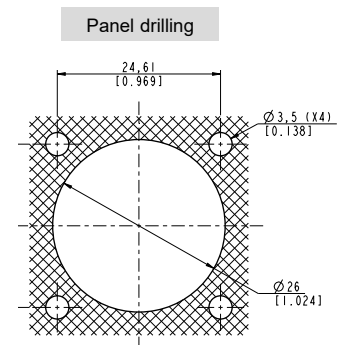
Receptacle - Square flange receptacle - 4 mounting holes - Shell type 2 - Back termination type 00

Part number type (Cat.5e) : **RJF544 2 X 2 00**



Corps plastique noir non conducteur pour RJF 544 2 2 00
Non conductive black plastic shell for RJF 544 2 2 00

Corps plastique métallisé conducteur pour RJF 544 2M 2 00
Conductive metallized plastic shell for RJF 544 2M 2 00





CABLES AND CORDSETS



Table of contents

CABLES AND CORDSETS	75
Cat.5e cable and cordset	76
Cat.6 cable and cordset	77
Cat.6A cable and cordset	78
Cat.7 cable and cordset	79
Cat.7 VG95218T031 cable and cordset	80

CAT.5E CABLE AND CORDSET



Description

This Cat.5e cable has been specially selected for fixed or deployable military or industrial application. Can be ordered as cordset with RJ45 at both end or as reel of cable. Its special Polyurethane jacket can withstand the harshest environments.

How to order : Please refer to page 122 and 123

Design

Wire	Conductors	8 x 24 AWG Stranded tinned copper wires (Ø0,6mm)	Overall		Strain member of kevlar
	Insulation	Polyethylene (max Ø1,05mm)			Fillers
	Colors	Pair 1 : White and blue Pair 2 : White and orange Pair 3 : White and green Pair 4 : White and brown		Shield 1	Aluminate foil, overlapped
		4 pairs twisted	Shield 2		Tinned copper braid (Ø5,5mm) 80% coverage
			Jacket	Insulation	Polyurethane (Ø7,1±0,3mm)
				Color	Black

Electrical characteristics at 20°C

Conductor resistance	≤ 96 Ohm/km	Structural Return loss (1 – 20 MHz)	≤ 23 dB	
Resistance difference	3 %	Capacity unbalanced to ground	3400 pF/Km	
Screen resistance	≤ 12 Ohm/km	Characteristic impedance (1 – 100 MHz)	100 ± 15 Ohm	
Insulation resistance	≥ 150 MOhm*km	Operating voltage (peak)	≥ 100 V	
Capacitance (1 kHz)	46 nF/km	Velocity of propagation	81 % nom.	
Signal runtime	≤ 5,2 ns/km	Test voltage (wire/wire/screen rms 50Hz 1min)	700 V	
Delay screw	≤ 20 ns/100m	Attenuation (dB/100m)	1 MHz – 3,15	16 MHz – 12,3
			4 MHz – 6,45	20 MHz – 13,8
			10 MHz – 9,9	100 MHz – 33,0

Other characteristics

ETL qualified

Halogen Free Flame Retardant

Resistance to microbial/fungus growth acc. IEC60068-2-10 Environmental Testing – Test J degree of mould growth 1

Flame retardant acc. to UL 1581, sec. 1090 (H)

Flame retardant acc. to IEC 60332-1-2

RoHS compliant (Directive 2011/65/EC)

Sunlight resistant acc. to UL444 sec. 7.12

Hydrolysis resistance

Highly flexible

Permissible temperature range for transport and fixed installation : -50°C up to 85°C

Permissible temperature range for installation and flexible use : -40°C up to 85°C

Humidity range : 5 – 93% at 40°C

Maximum pulling force : 800N

Min. bending radius allowed : repeated 8 X Ø single 4 X Ø

Weight : 61 kg/km



CAT.6 CABLE AND CORDSET

Description

This Cat.6 cable has been specially selected for fixed or deployable military or industrial application. Can be ordered as cordset with RJ45 at both end or as reel of cable. Its special Polyurethane jacket can withstand the harshest environments.

How to order : Please refer to page 122 and 123

Design

Wire	Conductors	8 x 26 AWG Stranded tinned copper wires (Ø0,6mm)	Overall	Strain member of kevlar		
	Insulation	Polyethylene (Ø1,0mm)		Plastic tapes, overlapped		
	Shield	Aluminate foil overlapped		Shield 1	Aluminate foil, overlapped	
	Colors	Pair 1 : White and blue		Shield 2	Tinned copper braid (Ø5,3mm) 80% coverage	
Pair 2 : White and orange		Pair 3 : White and green	Jacket	Insulation	Polyurethane (Ø6,9±0,3mm)	
Pair 4 : White and brown		Color		Black		
4 screened pairs twisted						

Electrical characteristics at 20°C

Conductor resistance	≤ 960 Ohm/km	Capacity unbalanced to ground	≤ 1600 pF/Km	
Resistance difference	2 %	Velocity of propagation	72 % nom.	
Screen resistance	≤ 13 Ohm/km	Skew	≤ 45ns/100m	
Signal run time	≈ 4,6 ns/m	Operating voltage (peak)	≤ 100 V	
Insulation resistance	≥ 5 GOhm*km	Test voltage (wire/wire/screen rms 50Hz 1min)	700 V	
Characteristic impedance 100MHz	(100 ±5) Ohm	Attenuation (dB/100m)	1 MHz – 3,1	20 MHz – 12,8
Capacitance (1 kHz)	50 nF/km nom.		4 MHz – 6,45	100 MHz – 29,9
			10 MHz – 9,9	200 MHz – 43,7
			16 MHz – 11,4	250 MHz – 49,7

Other characteristics

Halogen Free Flame Retardant

Resistance to microbial/fungus growth acc. IEC60068-2-10 Environmental Testing – Test J degree of mould growth 1

Flame retardant acc. to UL 1581, sec. 1090 (H)

Flame retardant acc. to IEC 60332-1-2

RoHS compliant (Directive 2011/65/EC)

Sunlight resistant acc. to UL444 sec. 7.12

Hydrolysis resistance

Highly flexible

Permissible temperature range for transport and fixed installation : -50°C up to 85°C

Permissible temperature range for installation and flexible use : -40°C up to 85°C

Maximum pulling force : 800N

Min. bending radius allowed : repeated 10 X Ø single 5 X Ø

Weight : 55 kg/km

CAT.6A CABLE AND CORDSET



Description

This Cat.6A cable has been specially selected for fixed or deployable military or industrial application. Can be ordered as cordset with RJ45 at both end or as reel of cable. Its special Polyurethane jacket can withstand the harshest environments.

How to order : Please refer to page 122 and 123

Design

Wire	Conductors	8 x 26 AWG Stranded tinned copper wires (Ø0,6mm)	Overall	Strain member of kevlar		
	Insulation	Polyethylene (Ø1,0mm)		Plastic tapes, overlapped		
	Shield	Aluminate foil overlapped		Shield 1	Aluminate foil, overlapped	
	Colors	Pair 1 : White and blue		Shield 2	Tinned copper braid (Ø5,3mm) 80% coverage	
Pair 2 : White and orange		Pair 3 : White and green	Jacket	Insulation	Polyurethane (Ø6,9±0,3mm)	
Pair 4 : White and brown		Color		Black		
4 screened pairs twisted						

Electrical characteristics at 20°C

Conductor resistance	≤ 290 Ohm/km	Capacity unbalanced to ground	≤ 1600 pF/km	
Resistance difference	2 %	Velocity of propagation	nom. 72%	
Screen resistance	≤ 13 Ohm/km	Skew	≤ 45 ns/100m	
Signal run time	≈ 4,6 ns/m	Operating voltage (peak)	≤ 230 V	
Insulation resistance	≥ 5 GOhm*km	Test voltage (wire/wire/screen rms 50Hz 1min)	≤ 700 V	
Characteristic impedance 100MHz	(100 ±5) Ohm	Attenuation (dB/100m)	1 MHz – 3,1	100 MHz – 28,7
Capacitance (1 kHz)	50 nF/km nom.		4 MHz – 5,7	200 MHz – 41,4
			10 MHz – 8,9	300 MHz – 51,4
			16 MHz – 11,2	400 MHz – 60,1
			20 MHz – 12,6	500 MHz – 67,9

Other characteristics

Halogen Free Flame Retardant

Resistance to microbial/fungus growth acc. IEC60068-2-10 Environmental Testing – Test J degree of mould growth 1

Flame retardant acc. to UL 1581, sec. 1090 (H)

Flame retardant acc. to IEC 60332-1-2

RoHS compliant (Directive 2011/65/EC)

Sunlight resistant acc. to UL444 sec. 7.12

Hydrolysis resistance

Highly flexible

Permissible temperature range for transport and fixed installation : -50°C up to 85°C

Permissible temperature range for installation and flexible use : -40°C up to 85°C

Maximum pulling force : 800N

Min. bending radius allowed : repeated 10 X Ø single 5 X Ø

Weight : 55 kg/km

CAT.7 CABLE AND CORDSET



Description

This Cat.7 cable has been specially selected for fixed or deployable military or industrial application. Can be ordered as cordset with RJ45 at both end or as reel of cable. Its special Polyurethane jacket can withstand the harshest environments.

How to order : Please refer to page 122 and 123

Design

Wire	Conductors	8 x 26 AWG Stranded bare copper wires	Overall	Strain member of kevlar		
	Insulation	Polyethylene (max Ø1,05mm)		Plastic tapes, overlapped		
	Shield	Aluminate foil overlapped		Shield	Tinned copper braid 80% coverage	
	Colors	Pair 1 : White and blue Pair 2 : White and orange Pair 3 : White and green Pair 4 : White and brown			Jacket	Insulation
4 pairs twisted			Color	Black		

Electrical characteristics at 20°C

Loop resistance	≤ 290 Ohm/km	Screening attenuation 30 – 600 MHz	≥ 90 dB	
Screen resistance	≤ 10 Ohm/km	Operating voltage (peak)	≤ 100 V	
Signal run time	≈ 5,3 ns/m	Test voltage (wire/wire/screen rms 50Hz 1min)	700 V	
Insulation resistance	≥ 500 MOhm*km	Attenuation (dB/100m)	1 MHz – 3,1	100 MHz – 28,7
Characteristic impedance 100MHz	(100 ±5) Ohm		4 MHz – 5,7	200 MHz – 41,4
			10 MHz – 8,9	300 MHz – 51,4
			16 MHz – 11,2	400 MHz – 60,1
			20 MHz – 12,6	500 MHz – 67,9

Other characteristics

Halogen Free Flame Retardant

Resistance to microbial/fungus growth acc. IEC60068-2-10 Environmental Testing – Test J degree of mould growth 1

Flame retardant acc. to UL 1581, sec. 1090 (H)

Flame retardant acc. to IEC 60332-1-2

RoHS compliant (Directive 2011/65/EC)

Sunlight resistant acc. to UL444 sec. 7.12

Hydrolysis resistance

Highly flexible

Permissible temperature range for transport and fixed installation : -50°C up to 85°C

Permissible temperature range for installation and flexible use : -40°C up to 85°C

Maximum pulling force : 800N

Min. bending radius allowed : repeated 10 X Ø single 5 X Ø

Weight : 54 kg/km



CAT.7 VG95218T031 CABLE AND CORDSET

Description

This Cat.7 cable has been specially designed for fixed or deployable military or industrial application. Can be ordered as cordset with RJ45 at both ends or as reel of cable. Its special Polyurethane jacket can withstand the harshest environments. Moreover, this Cat.7 cable is VG95218T031 approved.

How to order : Please refer to page 122 and 123

Design

Wire	Conductors	8 x 26 AWG Stranded bare copper wires	Overall	Strain member of kevlar	
	Insulation	Polyethylene (max Ø1,05mm)		Plastic tapes, overlapped	
	Shield	Aluminate foil overlapped	Shield	Tinned copper braid 80% coverage	
	Colors	Pair 1 : White and blue Pair 2 : White and orange Pair 3 : White and green Pair 4 : White and brown		Jacket	Insulation
4 pairs twisted			Color		Black

Electrical characteristics at 20°C

Loop resistance	≤ 290 Ohm/km	Screening attenuation 30 – 600 MHz	≥ 90 dB	
Screen resistance	≤ 10 Ohm/km	Transfer impedance of screen (1 - 30 MHz)	≤ 10 Ohm/km	
Signal run time	≈ 5,3 ns/m	Operating voltage (peak)	≤ 100 V	
Insulation resistance	≥ 15 GOhm*km	Test voltage (wire/wire/screen rms 50Hz 1min)	700 V	
Characteristic impedance 100MHz	(100 ±5) Ohm	Attenuation (dB/100m)	1 MHz – 2,9	100 MHz – 27,8
			4 MHz – 5,5	155 MHz – 35,0
			10 MHz – 8,5	200 MHz – 40,1
			16 MHz – 10,8	300 MHz – 50,0
			20 MHz – 12,1	600 MHz – 73,3

Other characteristics

Acc. to VG95218T031 type B001 C001 & C002

RoHS compliant (Directive 2011/65/EC)

Sunlight resistant acc. to UL444 sec. 7.12

Smoke-density acc. to IEC 61034-2

Halogen Free

Permissible temperature range for transport and fixed installation : -40°C up to 85°C

Permissible temperature range for installation and flexible use : -40°C up to 85°C

Maximum pulling force : 800N

Min. bending radius allowed : repeated 8 X Ø single 4 X Ø

Weight : 46 kg/km

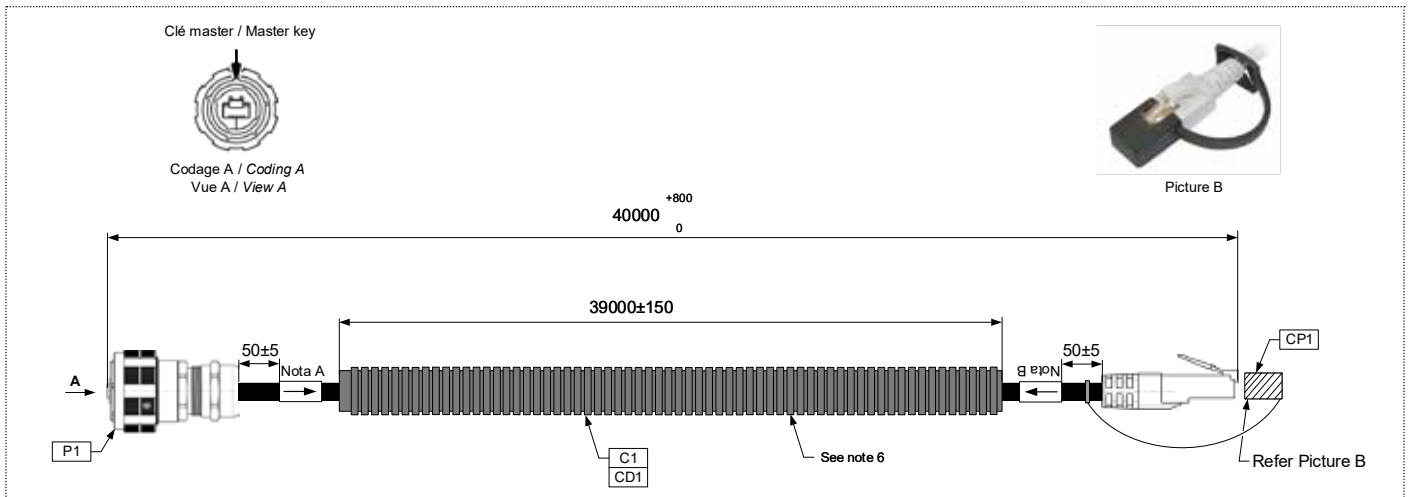
CABLE ASSEMBLY AND HANESSES

Description

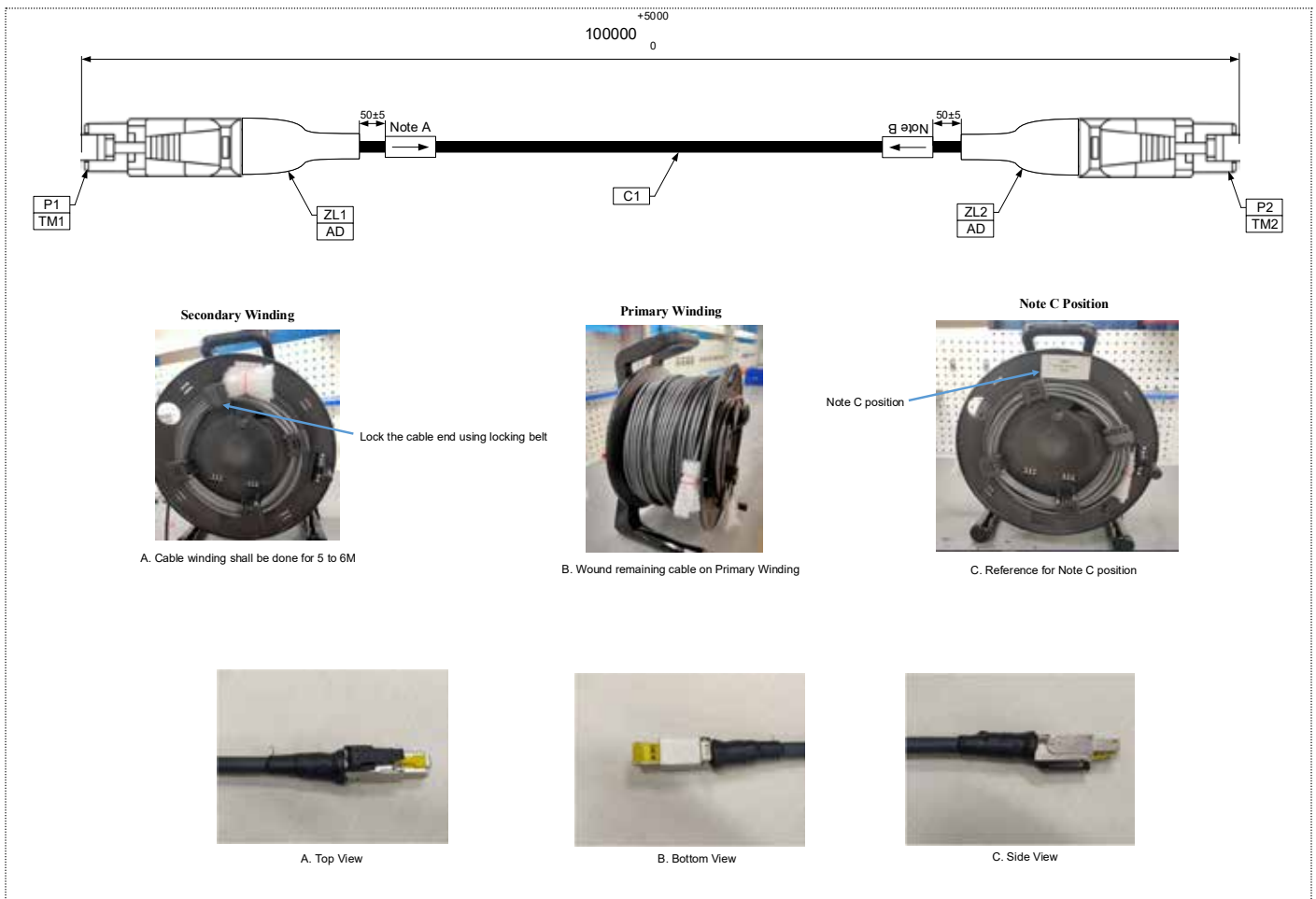
We have the capabilities to supply complete solution of cable assemblies, harnesses, military cable reel and deployment system. Please consult us to define together your project.

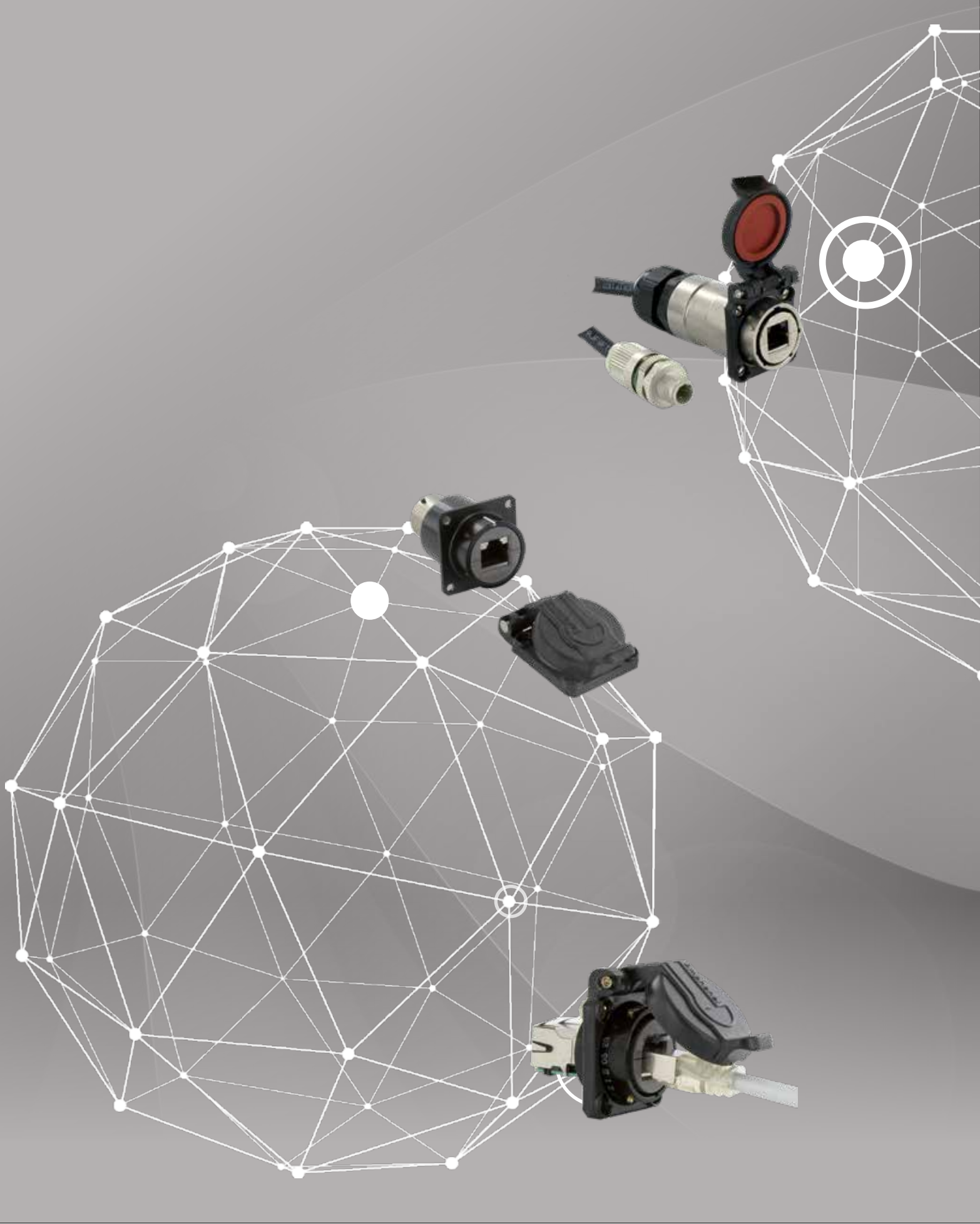
Example of configuration

Armored ethernet cable



Deport touret





ADAPTORS AND ACCESS POINTS



Table of contents

ADAPTORS AND ACCESS POINTS	83
RJ45 access point	84
RJ11 to type EN3646 - PT/451 - ABS1547 adaptor	85
RJ45 to type EN3646 - PT/451 - ABS1547 adaptor	86
RJ45 to M12 adaptor	87
RJFTV™ intercoach jumper	89

RJ45 ACCESS POINT

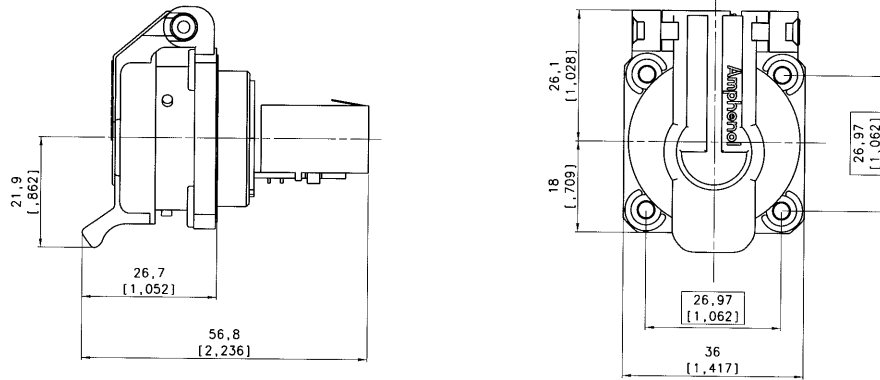


Description

This kit includes a receptacle and a Self Closing Cap which protects the RJF™ square flange receptacles (MIL-DTL-26482 type). This cap offers a protection against dust and water projections. A spring automatically closes the upper part of the cap when either the RJF plug or RJ45 cordset are removed from the receptacle.

Overall dimension

RJ45 Access point - With self-closing cap



Data transmission	Part number	Plating	Metallized insert
Cat.5e	RJF 2 1 B SCC	Black coating ✓	No
	RJF 2 1 N SCC	Nickel ✓	No
	RJF 2 1 G SCC	Olive drab cadmium	Yes
	RJF 2 1 ZN SCC	Black Zinc Nickel ✓	Yes

✓ : RoHS compliant

Metal range
Composite range
Cables and cordsets
Adaptors and access points
Accessories
Assembly instructions
How to order

RJ11 TO TYPE EN3646 - PT/451 - ABS1547 ADAPTOR

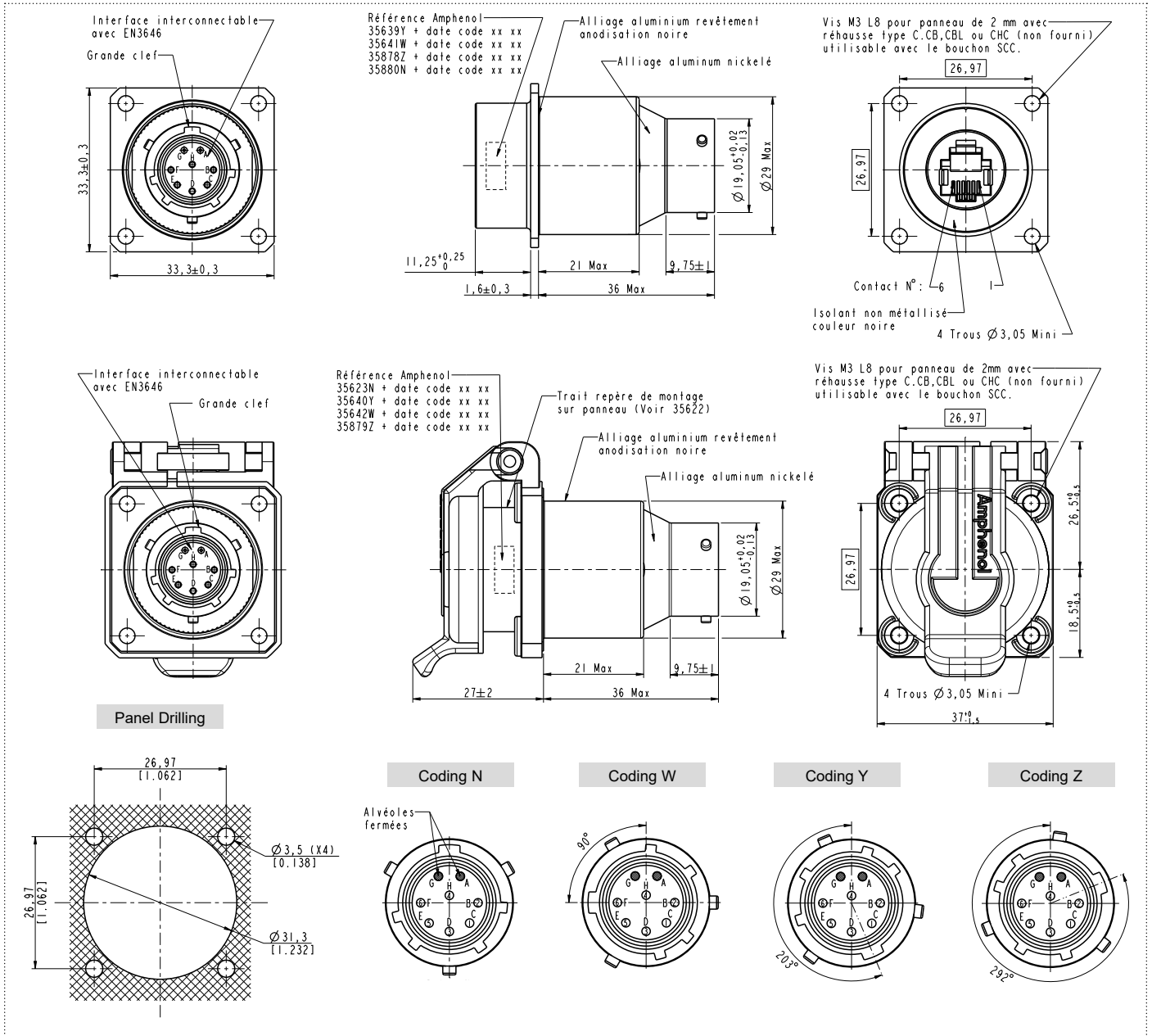


Description

At the rear of the adaptor, the connection is for connector type EN3646 and PT/451. This adaptor is qualified ABS1547.

Overall dimension

RJ11 adaptor to EN3646 - PT/451 with 12-8 arrangement - With or without self-closing cap



Part number	ABS1547 part number	Coding	Self-closing cap
35880	ABS1547-003C02N	N	
35641	ABS1547-003C02W	W	
35639	ABS1547-003C02Y	Y	No
35878	ABS1547-003C02Z	Z	
35623	ABS1547-003C01N	N	
35640	ABS1547-003C01W	Y	
35642	ABS1547-003C01Y	W	Yes
35879	ABS1547-003C01Z	Z	

Due to technical modifications, all information provided is subject to change without prior notice
Designed by Amphenol Socapex

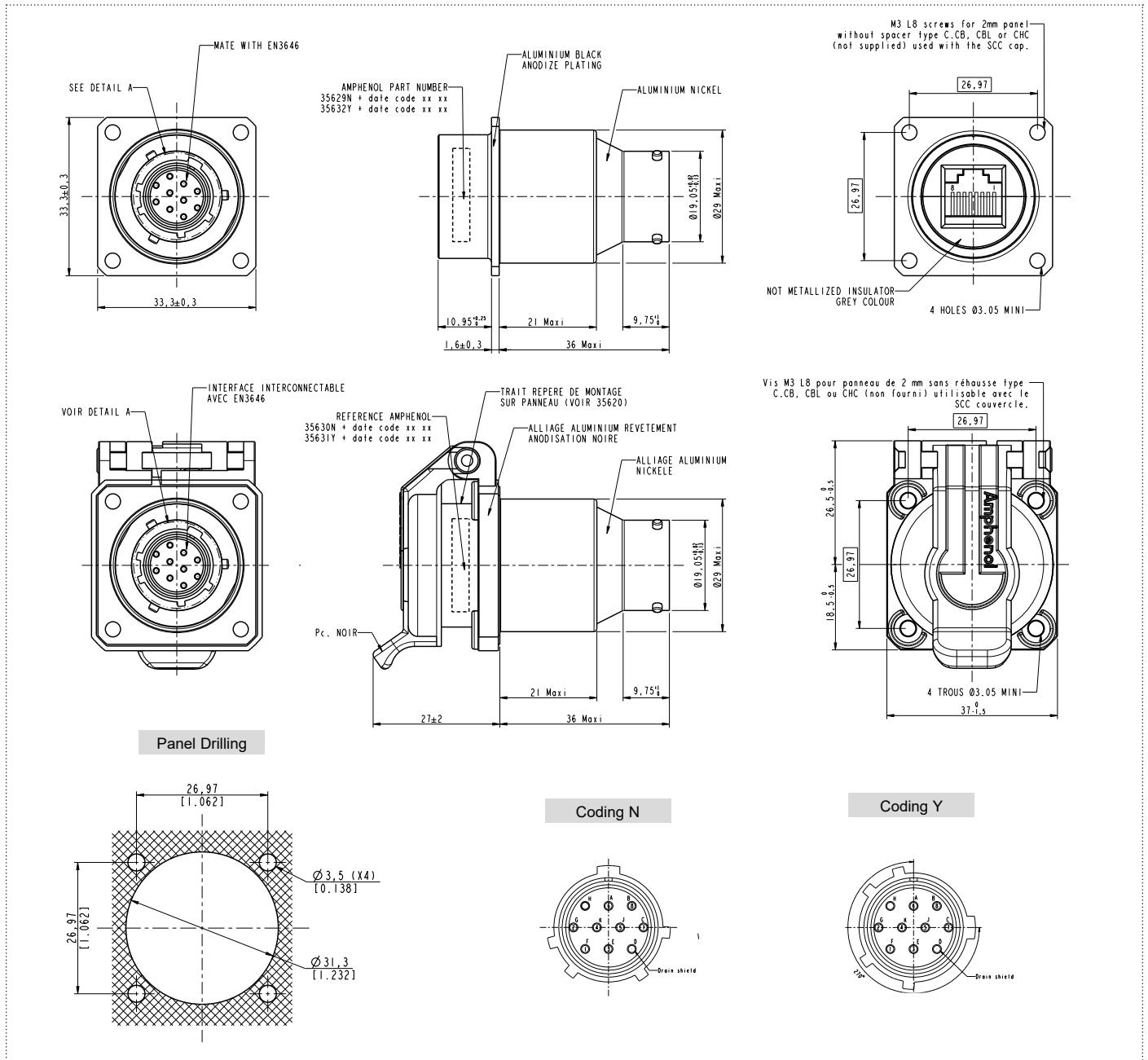
RJ45 TO TYPE EN3646 - PT/451 - ABS1547 ADAPTOR

Description

At the rear of the adaptor, the connection is for connectors type EN3646 and PT/451. This adaptor is qualified ABS1547.

Overall dimension

RJ45 adaptor to EN3646 - PT/451 with 12-10 arrangement - With or without self-closing cap



RJ45 TO M12 ADAPTOR

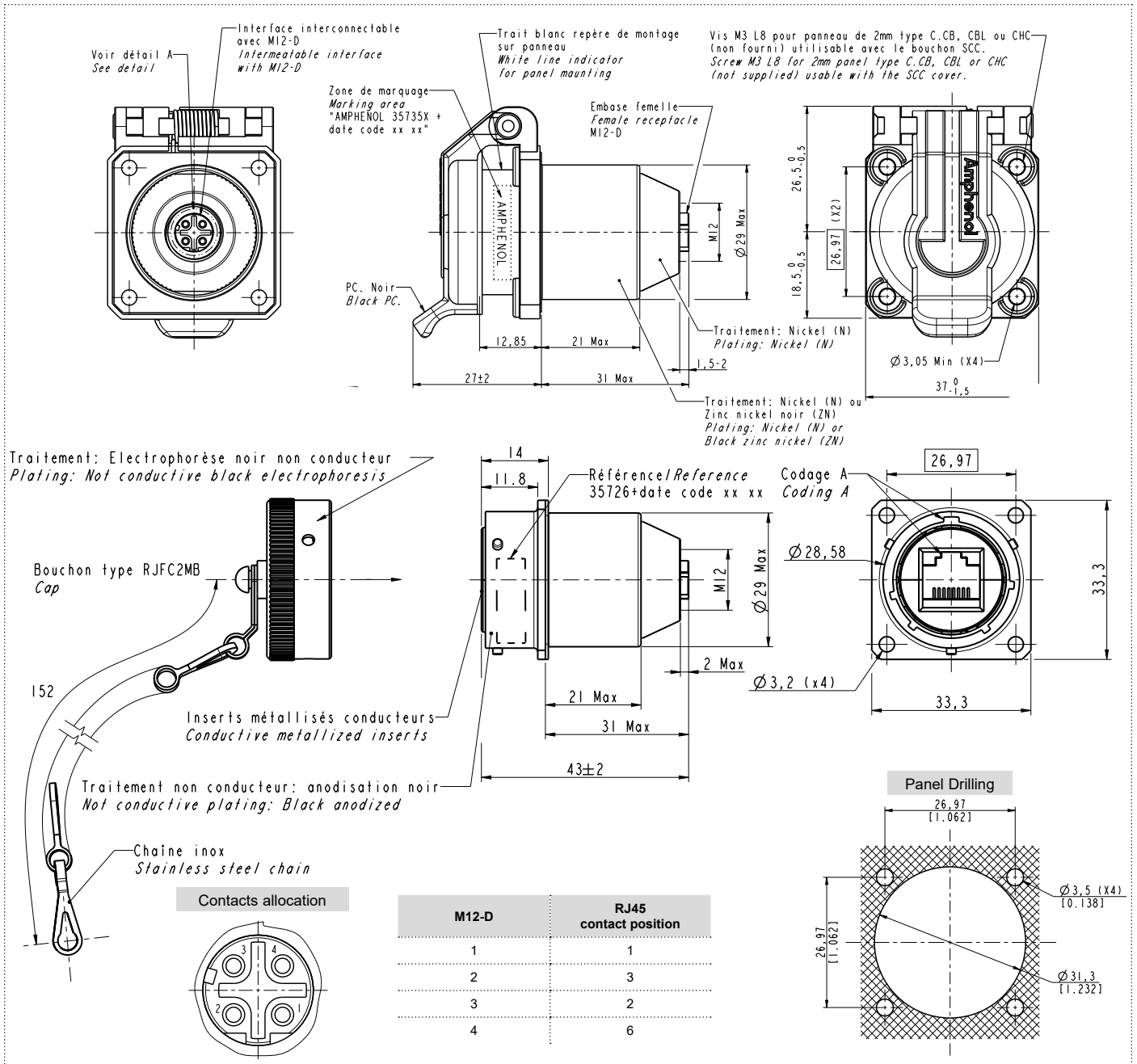


Description

RJ45/M12 adaptors provide an access point with RJ45 on M12, D coded based networks. Especially used in Rail Mass Transit applications.

Overall dimension

RJ45 Adaptor / M12 - With self-closing cap or standard cap



Part number	Insert	Plating	Cap
35655	Plastic	Black anodized ✓	Self-closing cap
35735N		Nickel ✓	
35735ZN	Metallised	Black Zinc Nickel ✓	Standard cap
35726		Black anodized ✓	

✓ : RoHS compliant

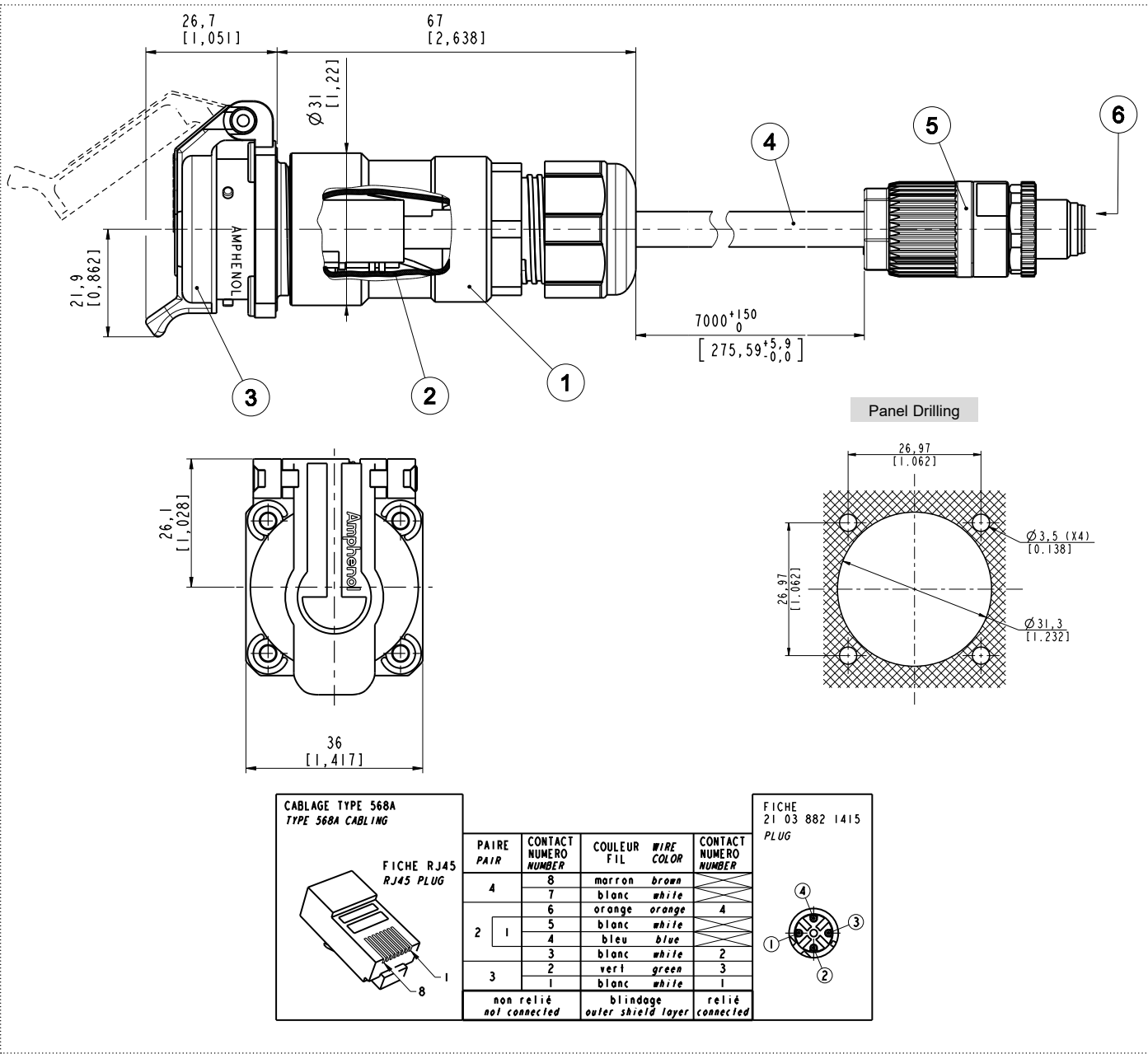
RJ45 TO M12 ADAPTOR

Description

Kit for maintenance connection RJ45/M12D coded based networks. Especially used in Rail Mass Transit applications.

Overall dimension

RJ45 Adaptor / M12 cable - With self-closing cap



Part number	Length (mm)
KIT36520	1 000
KIT36565	2 000
KIT36530	4 000
KIT36517	5 000
KIT36516	7 000

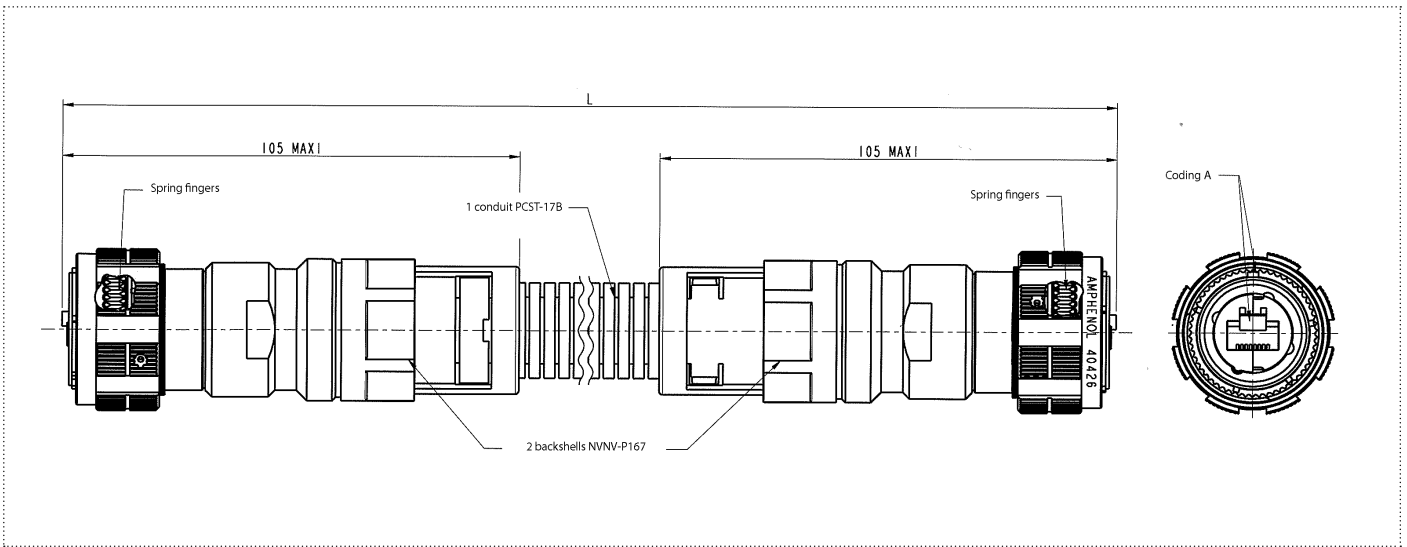
RJFTV™ INTERCOACH JUMPER

Description

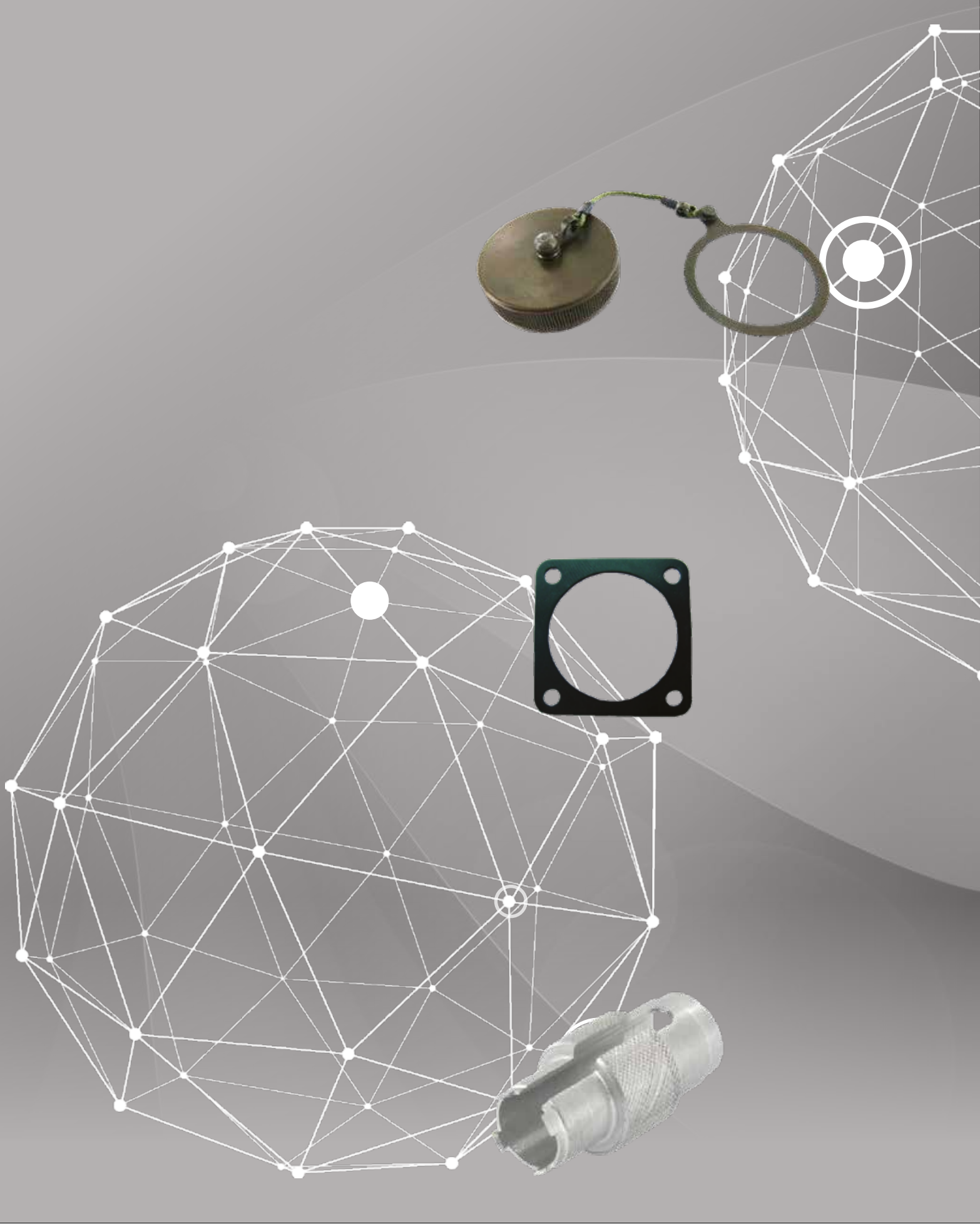
This kit is specially designed for Rail Mass Transit intercoach jumper. It is composed of a conduit around a Cat.5e cable with at each end a RJFTV plug with a specific backshell. Especially used in Rail Mass Transit applications.

Overall dimension

RJTV™ Jumper



Data transmission	Part number	+100 L 0
Cat.5e	Kit 40426 Rep 101	2465
	Kit 40426 Rep 102	3010



ACCESSORIES



Table of contents

ACCESSORIES	91
Standard protective cap - RJF™	92
Standard protective cap - RJFTV™	93
Standard protective cap - RJ11F	94
Standard protective cap - RJ11FTV	95
Self-closing cap - RJF™	96
Self-closing cap - RJFTV™	97
Standard protective cap - RJFRB and RJF544	98
Panel gasket and tool	99

Compatibility table

	RJF™	RJFTV™	RJ11F	RJ11FTV	RJFRB	RJF544
STANDARD PROTECTIVE CAP	RJF C	RJFTV C	RJ11F C	RJ11FTV C	RJFRB C	RJF544 BESC RJF544 02BM
REDUCED FLANGE PROTECTIVE CAP	/	RJFTV C F057	/	/	/	/
COMPOSITE SELF-CLOSING CAP	RJF SCC	/	PT SCC 14	/	/	/
METALLIC SELF-CLOSING CAP	/	RJFTV SCC	/	/	/	/
PANEL GASKET	JE 18	JE 19	JE 14	/	/	RJF544 02JE
TOOL	RJF ODE	RJF ODE	RJ11F ODE	/	/	/
REDUCED FLANGE TOOL	/	809686	/	/	/	/

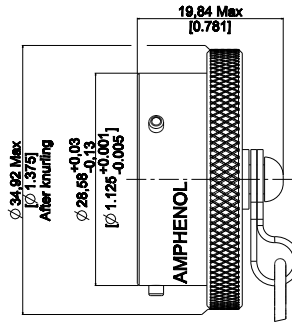
STANDARD PROTECTIVE CAP - RJF™



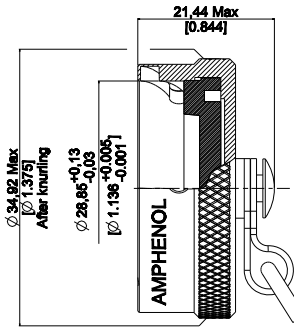
Overall dimension

RJF™ protective cap

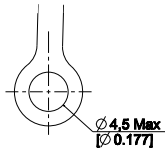
Part number: RJF C 6 X



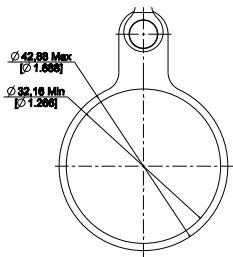
Part number: RJF C 2 X or RJF C 7 X



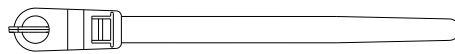
Small ring for square flange receptacle



Large ring for jam nut receptacle



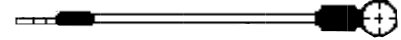
Tie wrap for plug cap



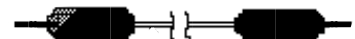
Metallic chain



Stainless steel rope



Nylon rope



Cap type	Metallic chain length (mm)	Nylon cord length (mm)	Stainless steel rope length (mm)
RJF C 2 & RJF C 7		105±5	
RJF C 6		160±5	

How to order : Please refer to page 124

✓ : RoHS compliant

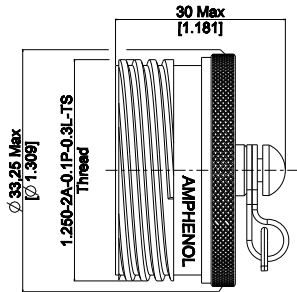
STANDARD PROTECTIVE CAP - RJFTV™



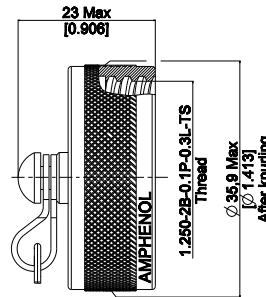
Overall dimension

RJFTV™ protective cap

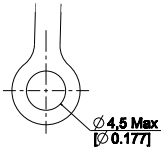
Part number: **RJFTV C 6 X**



Part number: **RJFTV C 2 X or RJFTV C 7 X**



Small ring for square flange receptacle



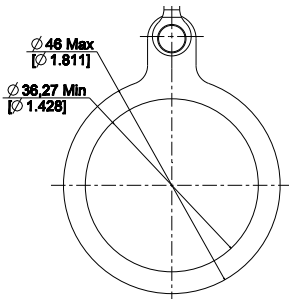
Tie wrap for plug cap



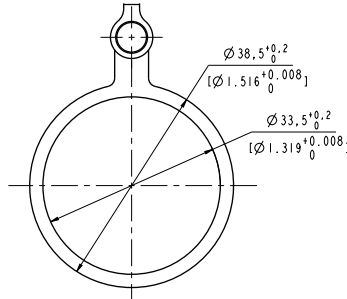
Metallic chain



Large ring for jam nut receptacle



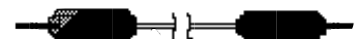
Ring for reduced flange jam nut receptacle



Stainless steel rope



Nylon rope



Cap type	Metallic chain length (mm)	Nylon cord length (mm)	Stainless steel rope length (mm)
RJFTV C 2 & RJFTV C 7		127 ⁺¹³ ₋₇	
RJFTV C 6		160±5	

How to order : Please refer to page 124

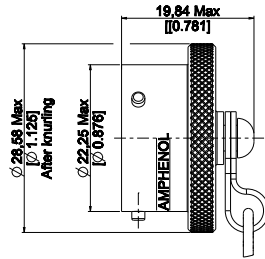
✓ : RoHS compliant

STANDARD PROTECTIVE CAP - RJ11F

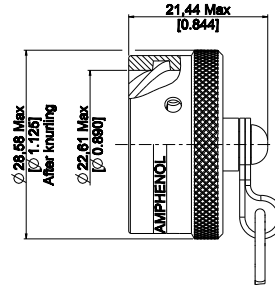
Overall dimension

RJ11F protective cap

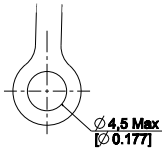
Part number: **RJ11F C 6 X**



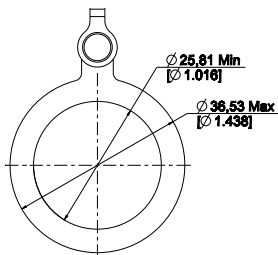
Part number: **RJ11F C 2 X or RJ11F C 7 X**



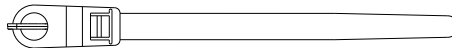
Small ring for square flange receptacle



Large ring for jam nut receptacle



Tie wrap for plug cap



Stainless steel rope



Cap type	Metallic chain length (mm)	Nylon cord length (mm)	Stainless steel rope length (mm)
RJ11F C 2 & RJ11F C 7		105±5	
RJ11F C 6		160±5	

How to order : Please refer to page 124

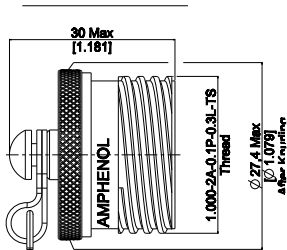
✓ : RoHS compliant

STANDARD PROTECTIVE CAP - RJ11FTV

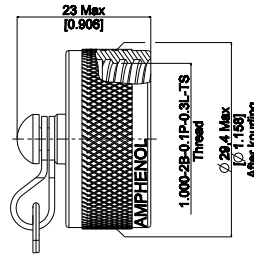
Overall dimension

RJ11F TV protective cap

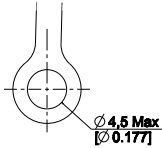
Part number: **RJ11FTV C 6 X**



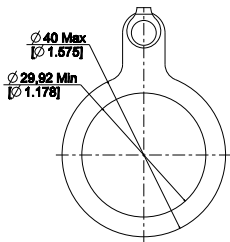
Part number: **RJ11FTV C 2 X or RJ11FTV C 7 X**



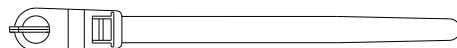
Small ring for square flange receptacle



Large ring for jam nut receptacle



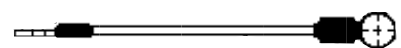
Tie wrap for plug cap



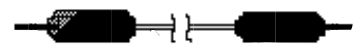
Metallic chain



Stainless steel rope



Nylon rope



Cap type	Metallic chain length (mm)	Nylon cord length (mm)	Stainless steel rope length (mm)
RJ11FTV C 2 & RJ11FTV C 7		127 ⁺¹³ -7	
RJ11FTV C 6		160±5	

How to order : Please refer to page 124

✓ : RoHS compliant

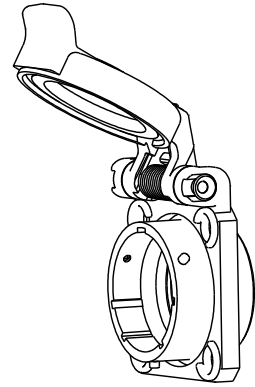
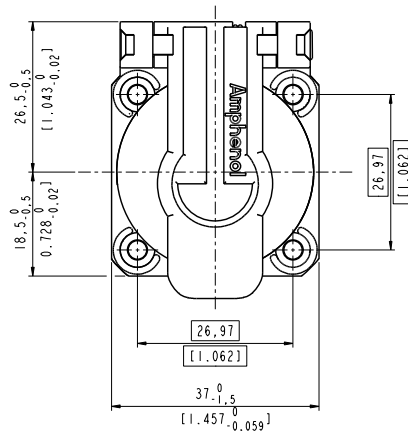
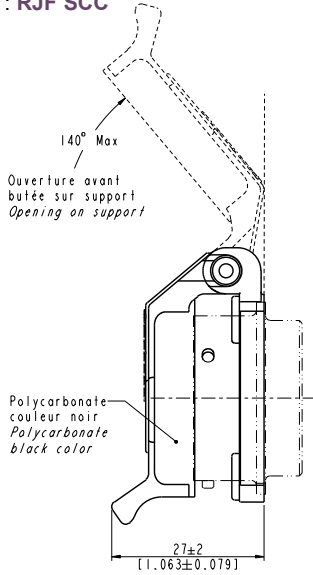
SELF-CLOSING CAP - RJF™



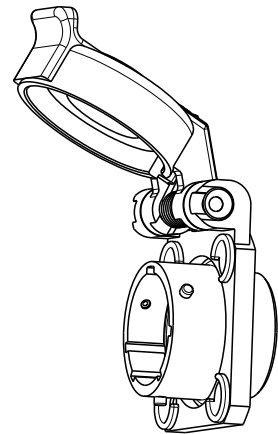
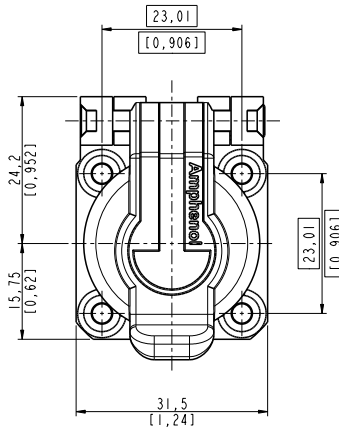
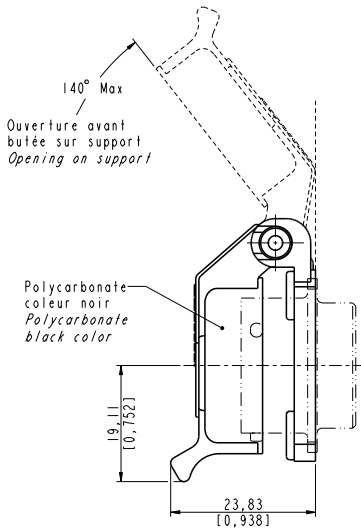
Overall dimension

RJF™ composite self-closing cap

Part number type : **RJF SCC**



Part number type : **PT SCC 14**



✓ : RoHS compliant

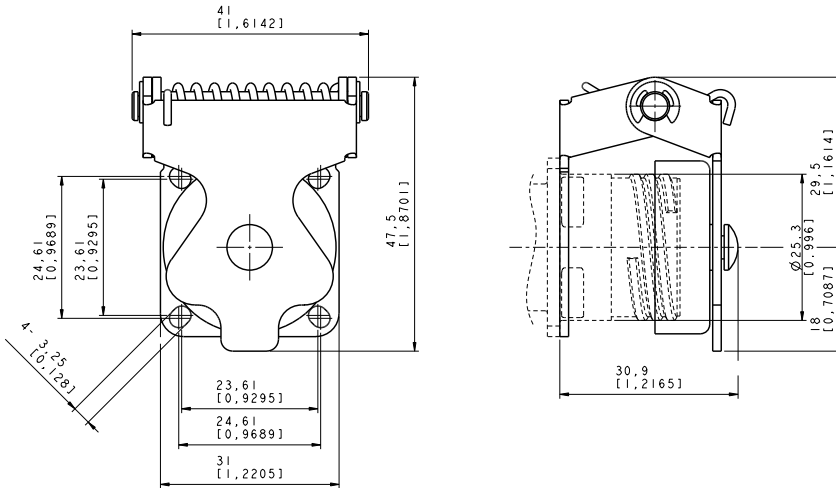
SELF-CLOSING CAP - RJFTV™



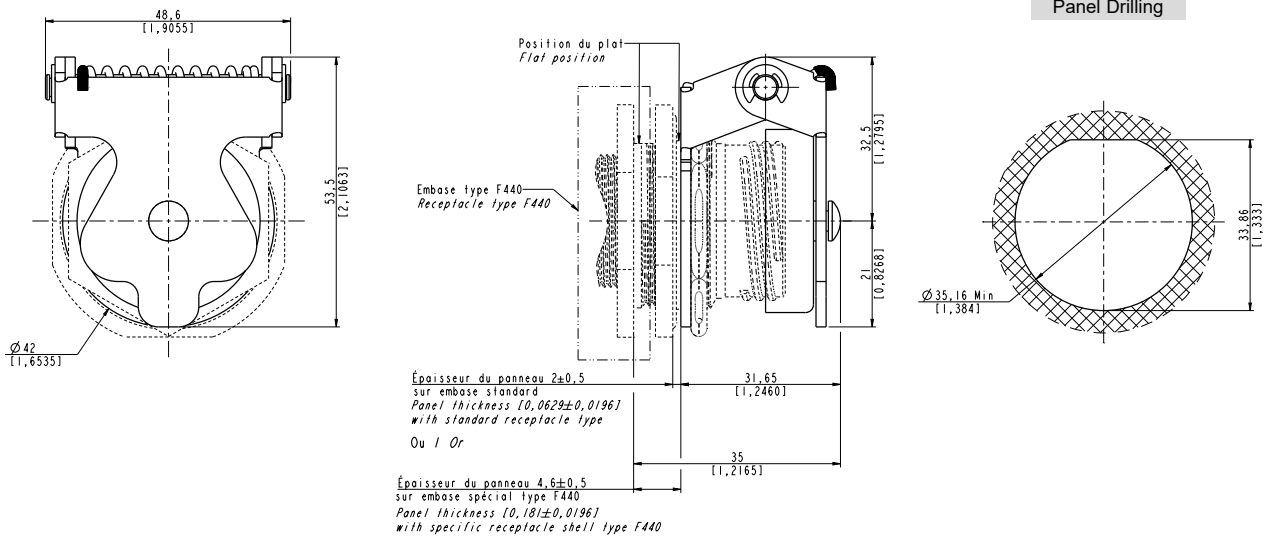
Metallic Self-closing cap

RJFTV™ Self-closing cap

Part number type : RJFTV SCC X



Part number type: RJFTV 7 SCC X



How to order

Square flange receptacle	Jam nut receptacle	Plating
RJFTV SCC B	RJFTV 7 SCC B	Black coating ✓
RJFTV SCC N	RJFTV 7 SCC N	Nickel ✓
RJFTV SCC G	RJFTV 7 SCC G	Olive drab cadmium
RJFTV SCC ZN	RJFTV 7 SCC ZN	Black zinc nickel ✓

✓ : RoHS compliant

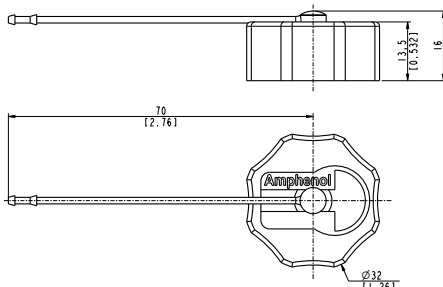
STANDARD PROTECTIVE CAP - RJFRB AND RJF544



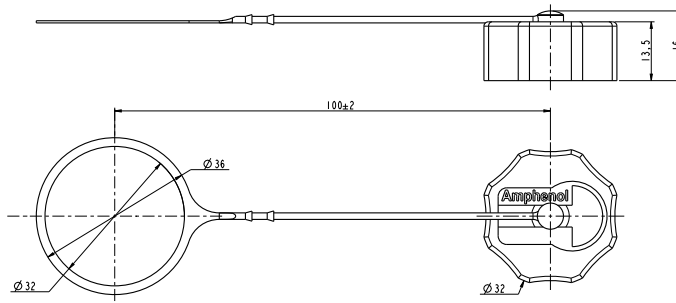
Overall dimension

RJFRB protective cap for receptacle

Part number type: **RJFRB C7**

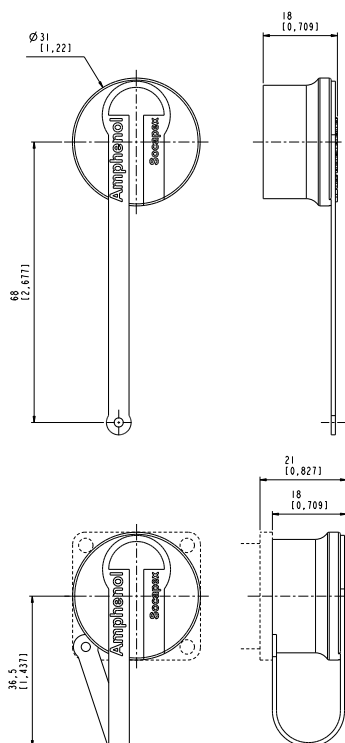


Part number type: **RJFRB C75**



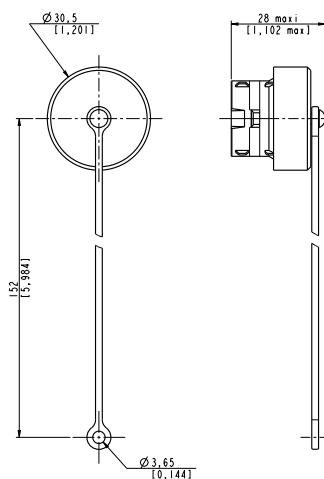
RJF544 rubber cap for receptacle

Part number type: **RJF544 BESC**





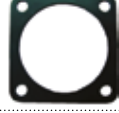

RJF544 rubber cap for plug

Part number type: **RJF544 BM**



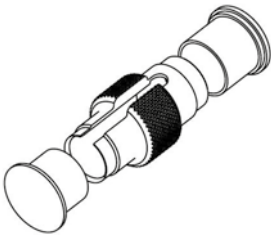
PANEL GASKET AND TOOL

Panel gasket for square flange receptacle

Part number	Corresponding receptacle	Thickness (mm)	Color	Picture
JE14	RJ11F	0.6	Black	
JE18	RJF™	0.6	Black	
RJF54402JE	RJF544	0.6	Black	
JE19	RJFTV™	0.8	Blue	

Tool

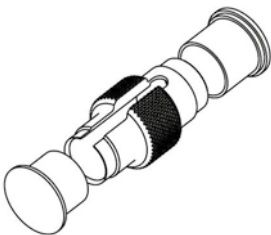
Part number : **RJF ODE**



Important note:

- RJF ODE is used to dismount the RJStop of the plug. Insert the four teeth face part of the RJF ODE part into the front of the plug and push.
- RJF ODE is used to remove the module of the receptacle. Insert the slot face part of the RJF ODE part into the front of the receptacle and push.
- For more details, please refer to "Assembly instructions" page 102 and 104.

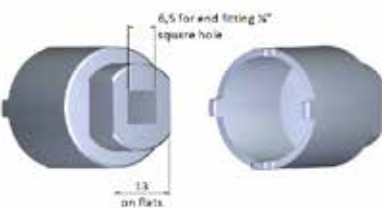
Part number : **RJF11 ODE**



Important note:

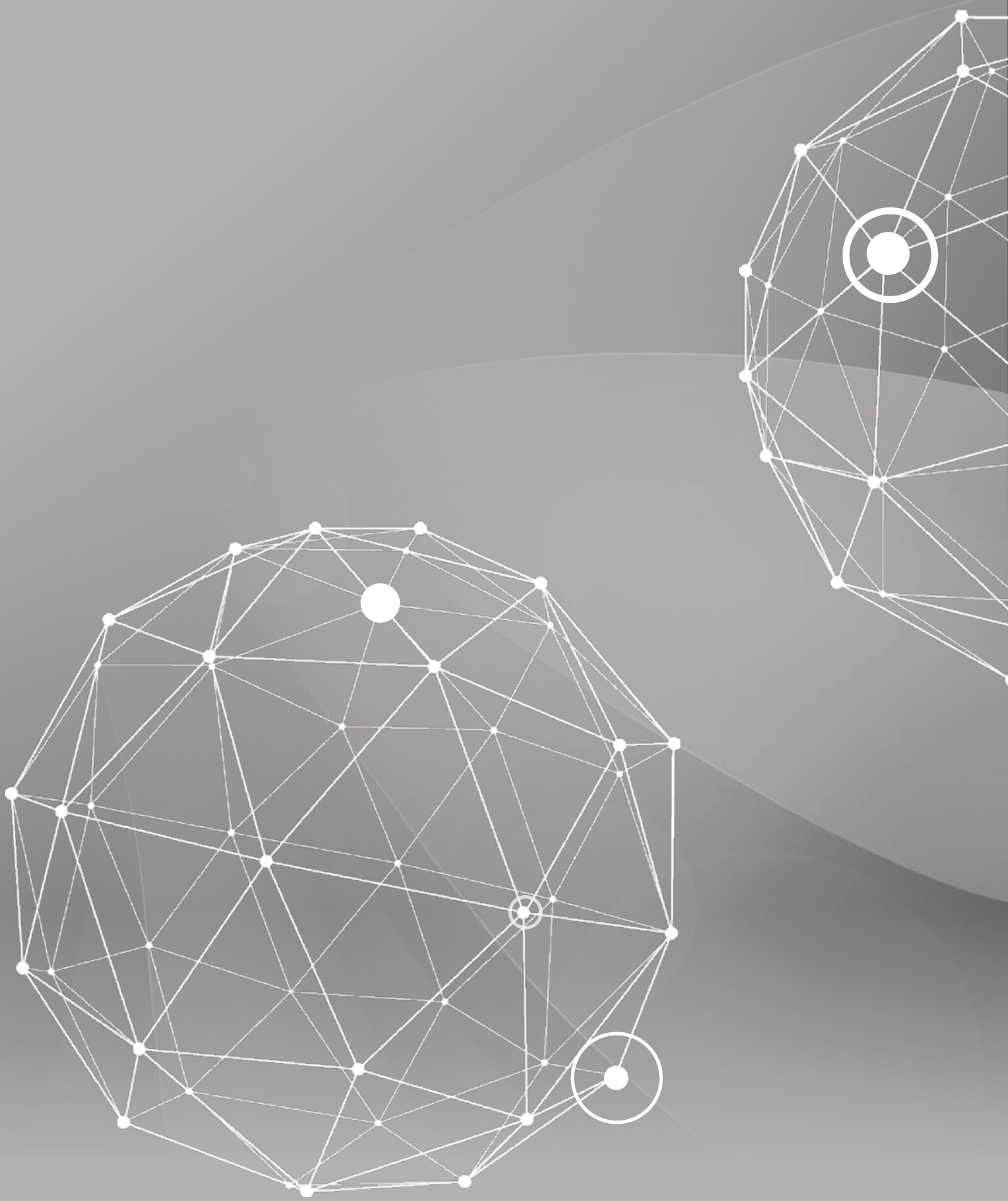
- RJF ODE is used to dismount the RJStop of the plug. Insert the slot face part of the RJF ODE part into the front of the plug and push.
- RJF ODE is used to remove the module of the receptacle. Insert the complete face part of the RJF ODE part into the front of the receptacle and push.
- For more details, please refer to "Assembly instructions" page 103.

Part number : **809686**



Important note:

- This tool is used to tighten the castle nut of the reduced flange receptacle.
- Insert the four teeth face of the tool into the castle nut and tighten at the recommended force.
- For more details, please refer to "Assembly instructions" page 104.



ASSEMBLY INSTRUCTION

Table of contents

ASSEMBLY INSTRUCTION	101
RJF™	102
RJ11F	103
RJFTV™	104
RJFRB	105
RJF544	106

Metal range

Composite range

Cables and cordsets

Adaptors and access points

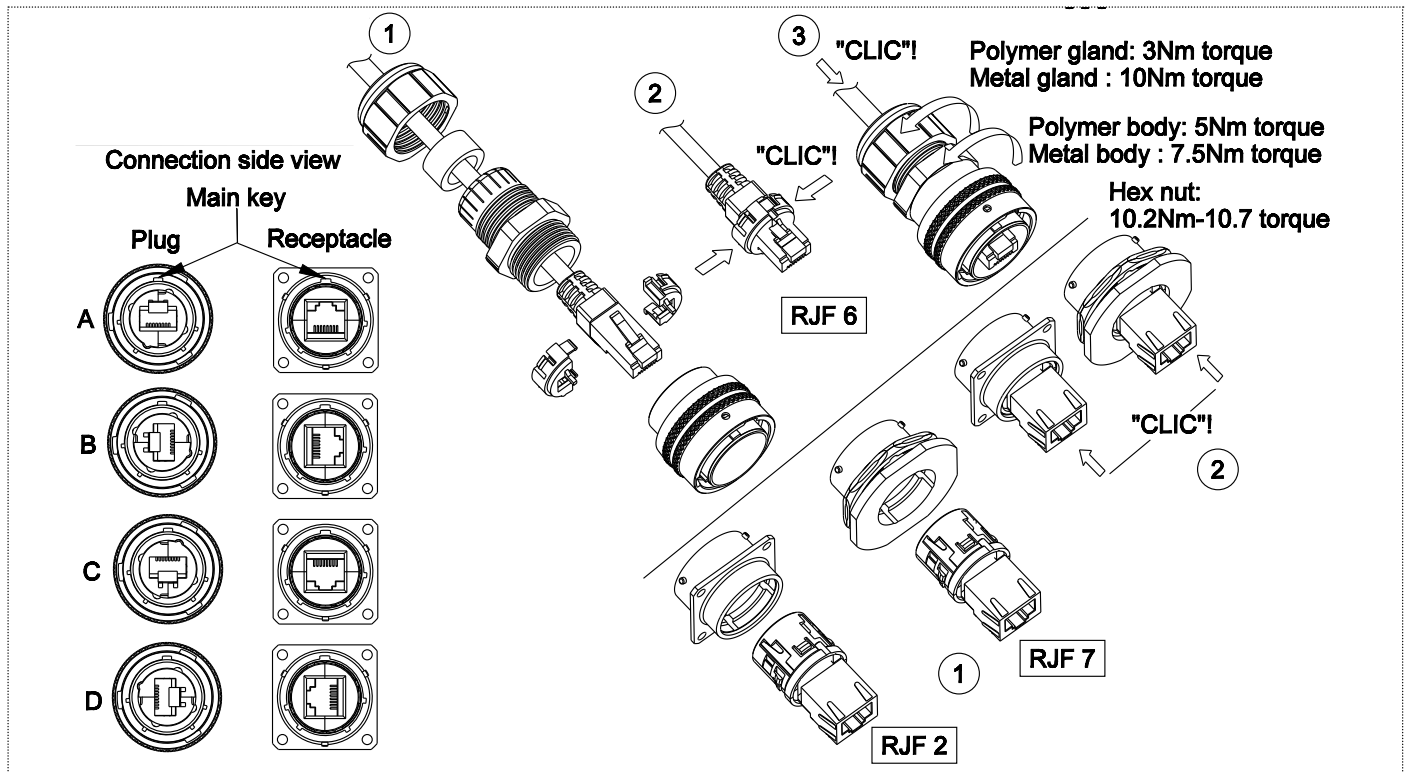
Accessories

Assembly instructions

How to order

ASSEMBLY INSTRUCTION - RJF™

Metal range
Composite range
Cables and cordsets
Adaptors and access points
Accessories
Assembly instructions
How to order



Important note:

- Can be assembled with all standard RJ45 cordset.
- No tool required for assembly.
- Choose your coding on plug side during the assembly. The standard coding on receptacle side is A. To change this coding use the removal tool. Please refer to page 99.

Recommend Torque value:

		Extender	Body	Plastic Gland	Metal Gland	Hex-nut
Plug	RJF 6	/	5.0 Nm	3.0 Nm	/	/
	RJF 6M	/	7.5 Nm	/	10.0 Nm	/
Receptacle	RJF 2 PE	5.0 Nm	5.0 Nm	3.0 Nm	/	/
	RJF 2 PEM	7.5 Nm	10.0 Nm	/	10.0 Nm	/
	RJF 7	/	/	/	/	10.2 to 10.7 Nm
	RJF 7 PE	5.0 Nm	5.0 Nm	3.0 Nm	/	10.2 to 10.7 Nm
	RJF 7 PEM	7.5 Nm	10.0 Nm	/	10.0 Nm	10.2 to 10.7 Nm

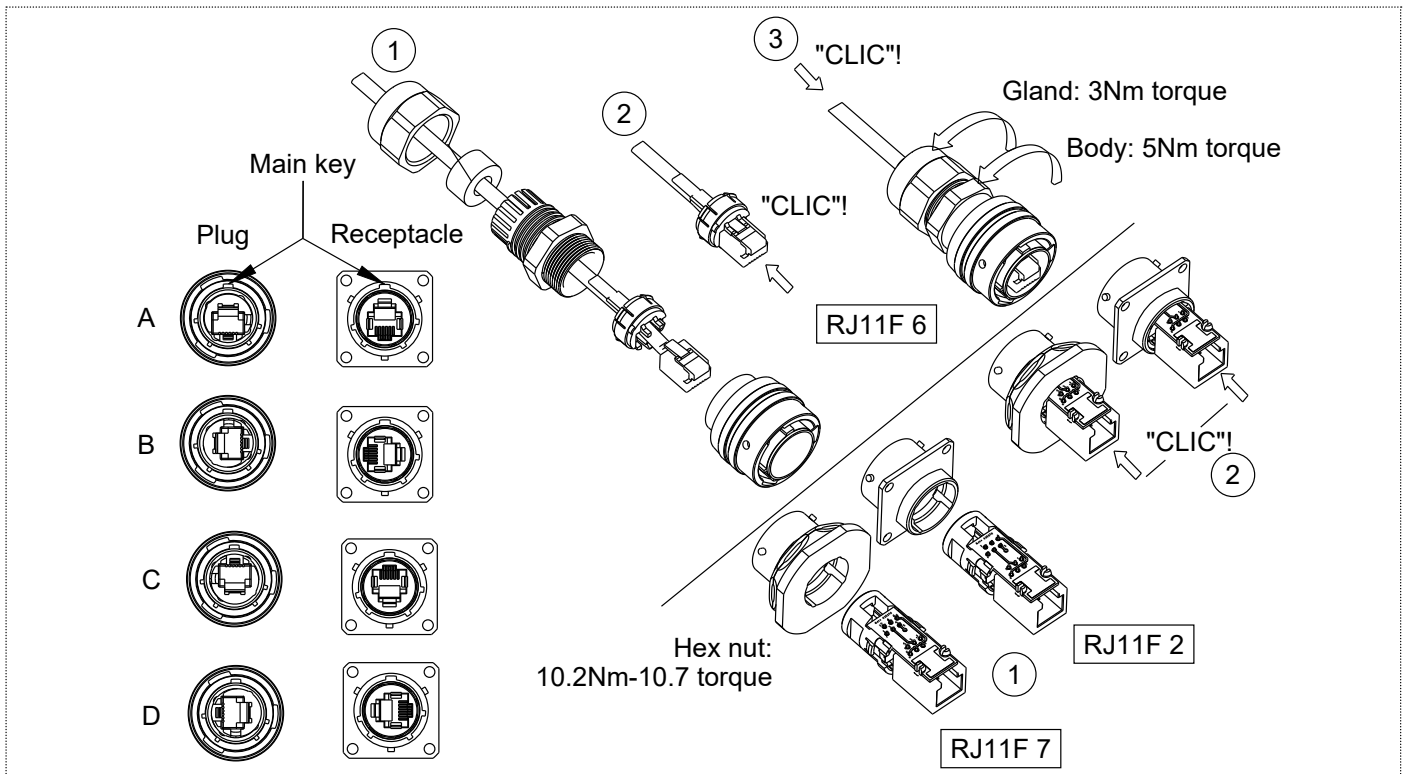
Assembly video



See our assembly video on youtube :
www.youtube.com/AmphenolSocapex

- Amphenol RJ Field Assembly - Rugged RJ45 connector

ASSEMBLY INSTRUCTION - RJ11F



Important note:

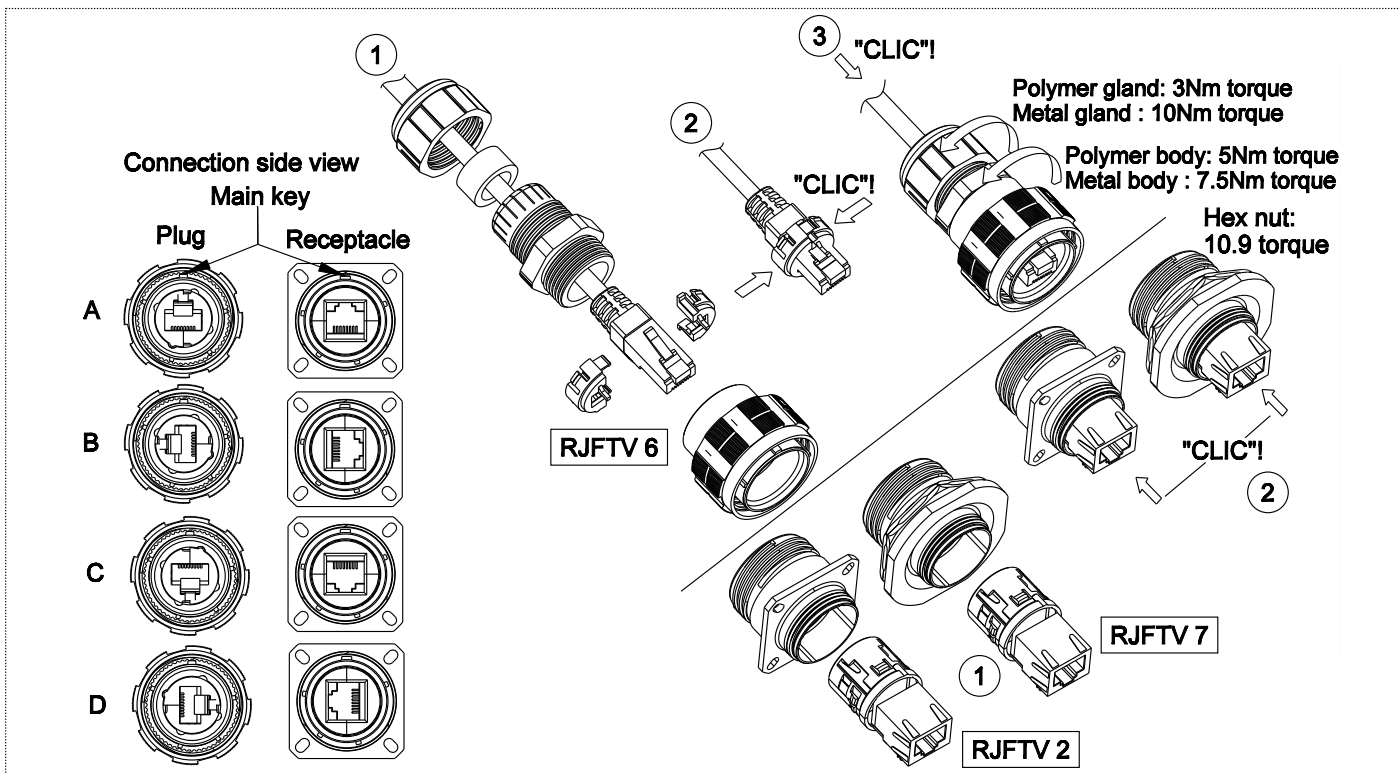
- Can be assembled with all standard RJ11 cordset.
- No tool required for assembly.
- Choose your coding on plug side during the assembly. The standard coding on receptacle side is A. To change this coding use the removal tool. Please refer to page 99.

Recommend Torque value:

		Extender	Body	Plastic Gland	Metal Gland	Hex-nut
Plug	RJ11F 6	/	5.0 Nm	3.0 Nm	/	/
Receptacle	RJ11F 7	/	/	/	/	10.2 to 10.7 Nm

ASSEMBLY INSTRUCTION - RJFTV™

Metal range
Composite range
Cables and cordsets
Adaptors and access points
Accessories
Assembly instructions
How to order



Important note:

- Can be assembled with all standard RJ45 cordset.
- No tool required for assembly.
- Choose your coding on plug side during the assembly. The standard coding on receptacle side is A. To change this coding use the removal tool. Please refer to page 99.

Recommend Torque value:

		Extender	Body	Plastic Gland	Metal Gland	Hex-nut
Plug	RJFTV 6	/	5.0 Nm	3.0 Nm	/	/
	RJFTV 6M	/	7.5 Nm	/	10.0 Nm	/
Receptacle	RJFTV 2 PE	3.0 Nm	5.0 Nm	3.0 Nm	/	/
	RJFTV 2 PEM	7.5 Nm	10.0 Nm	/	7.5 Nm	/
	RJFTV 7	/	/	/	/	10.9 Nm
	RJFTV 7 PE	3.0 Nm	5.0 Nm	3.0 Nm	/	10.9 Nm
	RJFTV 7 PEM	7.5 Nm	10.0 Nm	/	7.5 Nm	10.9 Nm

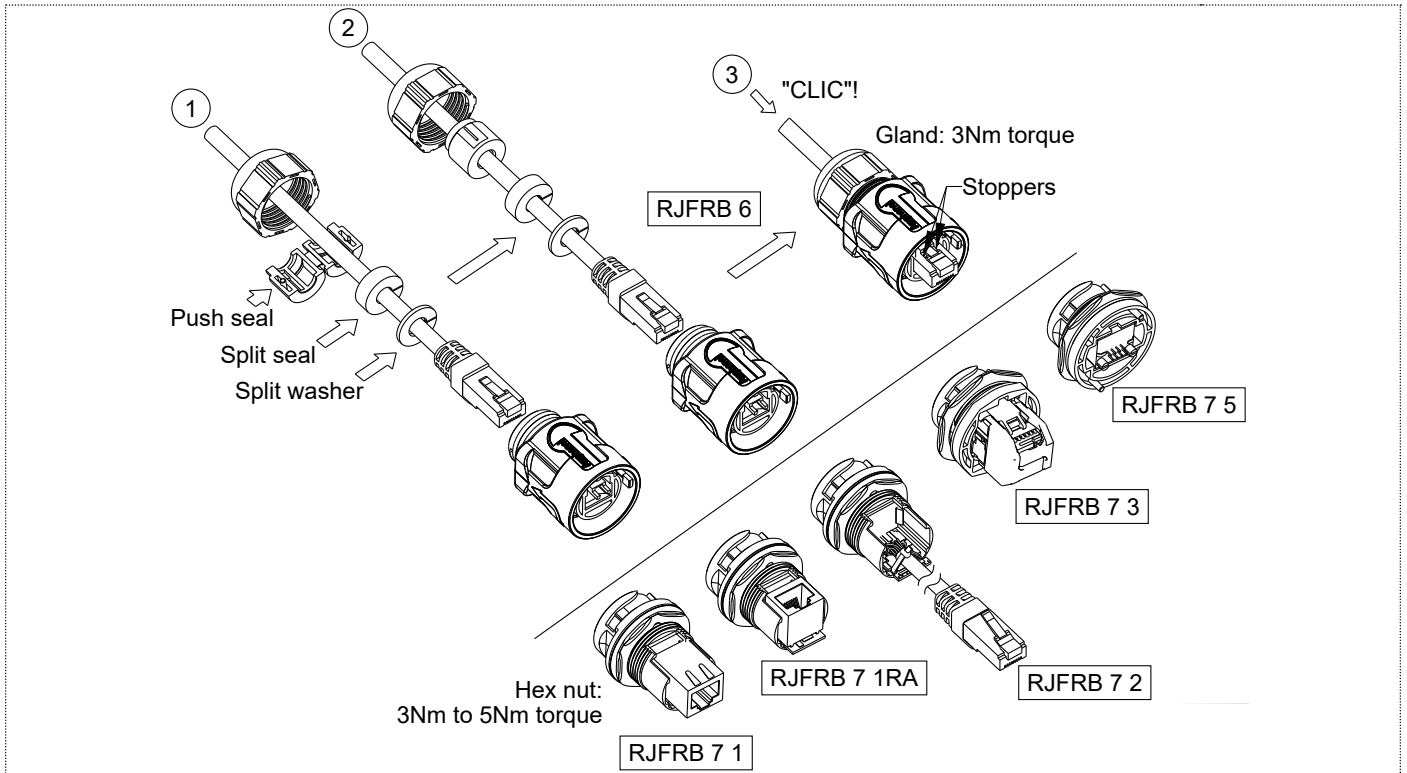
Assembly video



See our assembly video on youtube :
www.youtube.com/AmphenolSocapex

- Amphenol RJ Field Assembly - Rugged RJ45 connector

ASSEMBLY INSTRUCTION - RJFRB



Important note:

- Can be assembled with all standard RJ45 cordset.
- No tool required.

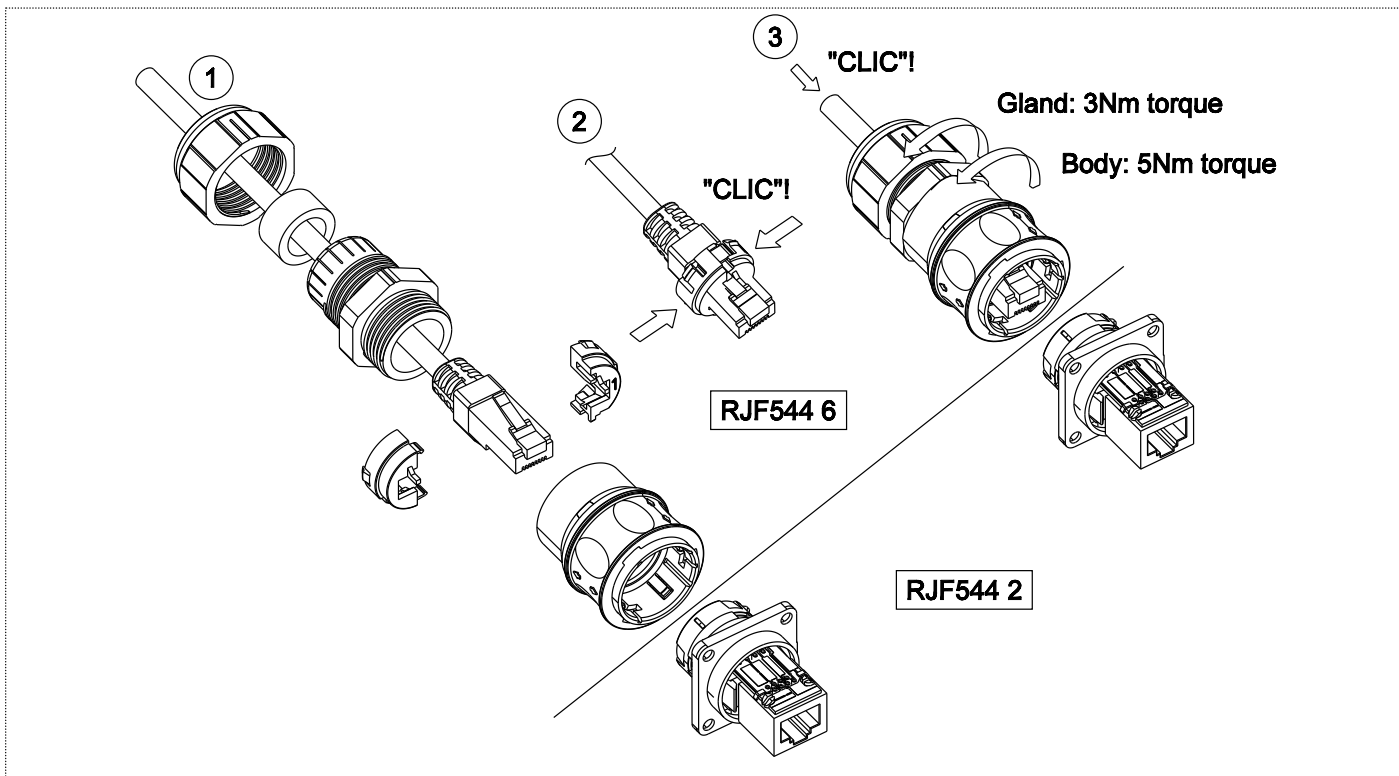
Recommend Torque value:

Plug	RJFRB 6 RJFRB 7	Plastic gland		Hex-nut	
		3.0 Nm	/	3.0 to 5.0 Nm	/
Receptacle		/			

Metal range
Composite range
Cables and cordsets
Adaptors and access points
Accessories
Assembly instructions
How to order

ASSEMBLY INSTRUCTION - RJF544

Metal range
Composite range
Cables and cordsets
Adaptors and access points
Accessories
Assembly instructions
How to order



Notes:

- Can be assemble with all standard RJ45 cordset.
- No tool required.

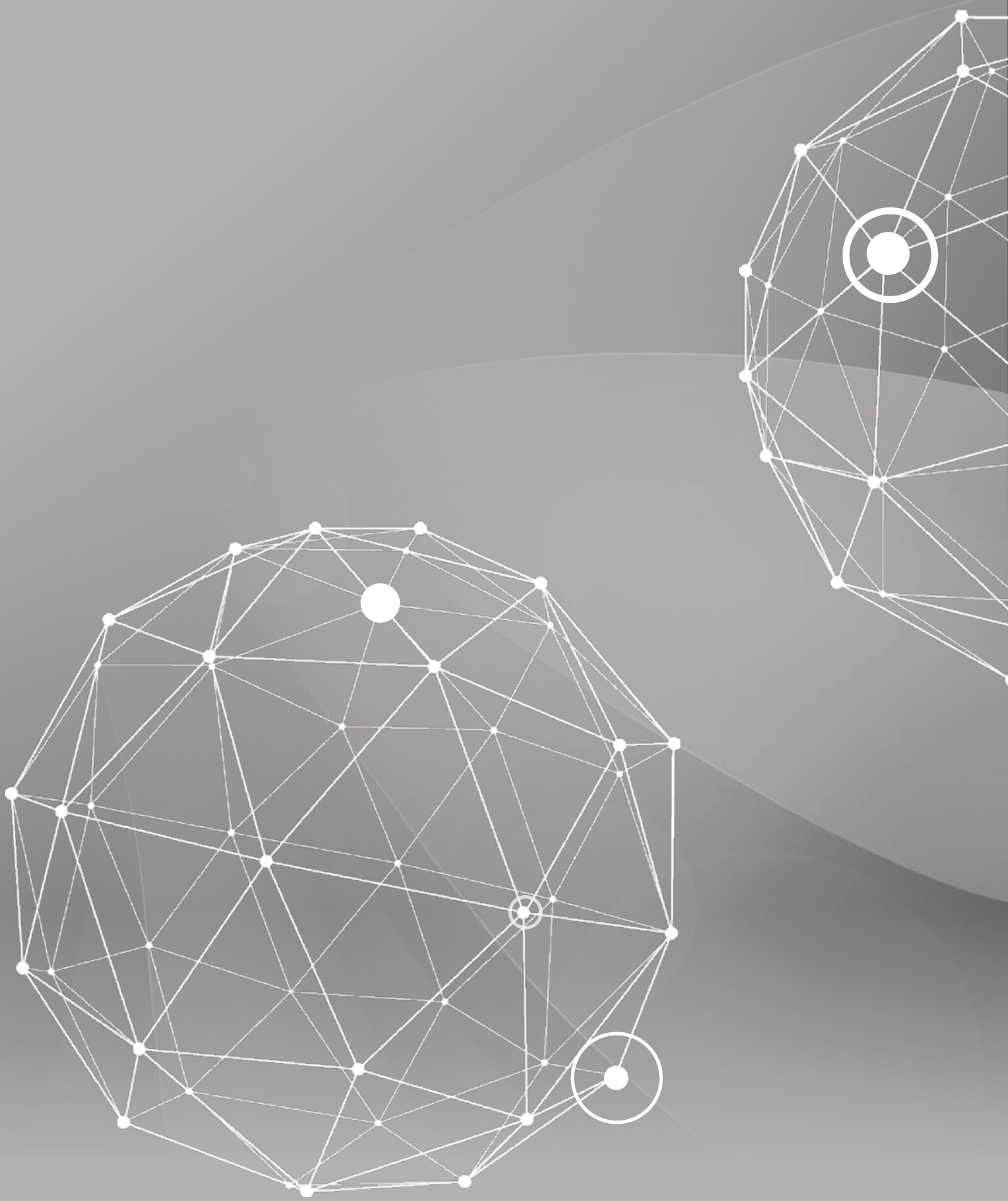
Recommend Torque value:

Plug	RJF544 6	Plastic gland
		5.0 Nm

NOTES

Area for handwritten notes, consisting of multiple horizontal dotted lines.

- Metal range
- Composite range
- Cables and cordsets
- Adaptors and access points
- Accessories
- Assembly instructions**
- How to order



HOW TO ORDER

Table of contents

HOW TO ORDER	109
RJF™	110
RJF™ - Transversally sealed and hermetic	111
RJ11F	112
RJFTV™	113
RJFTV™ - Transversally sealed and hermetic	114
RJFTV™ - Stand-off receptacle	115
RJFTV™ - Reduced flange receptacle	116
RJFTV™ - Through-Bulkhead receptacle	117
RJFTV™ - Atex zone 2	118
RJ11FTV - Atex zone 2	119
RJFRB	120
RJF544	121
Cable	122
Cordset	123
Standard protective cap	124

HOW TO ORDER - RJF™

Metal range
Composite range
Cables and cordsets
Adaptors and access points
Accessories
Assembly instructions
How to order

1.	2.	3.	4.	5.	6.	7.	8.
Series	Shell type	Coding (receptacle Cat.6 and Cat.6A only)	Backshell (receptacle only)	Back termination (receptacle only)	Shell material and finish	Cordset length (back termination type 2 only)	Cordset end (back termination type 2 only)
RJF	2		PE	1	N		

1. Series

RJF	Cat.5e Ethernet connector
RJF6	Cat.6 Ethernet connector (back termination 1 only)
RJF6A	Cat.6A Ethernet connector (back termination 1 and 1RA only)

2. Shell type

6	Plug	Plastic gland
6M		Metal gland
2	Square flange receptacle	
7	Jam nut receptacle	

3. Coding (receptacle Cat.6 and Cat.6A only)

A	Coding A
B	Coding B
C	Coding C
D	Coding D

4. Backshell and In line receptacle (receptacle only)

	Without backshell	
PE	Metal backshell	Plastic gland
PEM		Metal gland
PEWF	Metal In line receptacle	Plastic gland
PEMWF		Metal gland

5. Back termination (receptacle only)

1	Female RJ45
1RA	Right angle female RJ45
2	RJ45 cordset or PCB

6. Shell material and finish

B	Aluminium shell	Black Coating ✓
G		Olive Drab Cadmium plating
N		Nickel plating ✓
ZN		Black Zinc Nickel plating ✓

7. Cordset length (back termination type 2 only)

00	PCB with 8 tinned holes for cable soldering
03	0,3m [11.81 inches]
05	0,5m [19.68 inches]
10	1m [39.37 inches]
15	1,5m [59.05 inches]

8. Cordset end (back termination type 2 only)

100 BTX	RJ45 plug at the end
OPEN	Open RJ cable without plug at the end

Examples :

Part number	Description
RJF7PE2N15100BTX	RJF Cat.5e, jam nut receptacle, with metal backshell and plastic gland, 1,5m cordset with RJ45 plug at the end, nickel plating
RJF62APEMWF1ZN	RJF Cat.6, square flange in line receptacle, coding A, metal backshell and metal gland, female RJ45 back termination, black zinc nickel plating
RJF6A7A1RAB	RJF Cat.6A, jam nut receptacle, coding A, right angle female RJ45 back termination, black coating

HOW TO ORDER - RJF™ TRANSVERSALLY SEALED AND HERMETIC

1.	2.	3.	4.	5.	6.	7.	8.
Series	Shell type	Sealing type	Coding	Back termination	Shell material and finish	Cordset length (back termination type 2 only)	Cordset end (back termination type 2 only)
RJF	2	S	A	1RA	G		

1. Series

RJF	Cat.5e Ethernet connector
RJF6	Cat.6 Ethernet connector (back termination 1 only)
RJF6A	Cat.6A Ethernet connector (back termination 1 and 1RA only)

2. Shell type

2	Square flange receptacle
7	Jam nut receptacle

3. Sealing type

S	Transversally sealed receptacle
H	Hermetic receptacle

4. Coding

A	Coding A
B	Coding B
C	Coding C
D	Coding D

5. Back termination

1	Female RJ45
1RA	Right angle female RJ45
2	RJ45 cordset or PCB

6. Shell material and finish

B	Aluminium shell	Black Coating ✓
G		Olive Drab Cadmium plating
N		Nickel plating ✓
ZN		Black Zinc Nickel plating ✓

7. Cordset length (back termination type 2 only)

00	PCB with 8 tinned holes for cable soldering
03	0,3m [11.81 inches]
05	0,5m [19.68 inches]
10	1m [39.37 inches]
15	1,5m [59.05 inches]

8. Cordset end (back termination type 2 only)

100BTX	RJ45 plug at the end
OPEN	Open RJ cable without plug at the end

Examples :

Part number	Description
RJF2SA2ZN05OPEN	RJF Cat.5e, transversally sealed square flange receptacle, coding A, 0,5m cordset with open end, black zinc nickel plating
RJF62HA1N	RJF Cat.6, hermetic square flange receptacle, coding A, female RJ45 back termination, nickel plating
RJF6A7SA1ZN	RJF Cat.6A, transversally sealed jam nut receptacle, coding A, female RJ45 back termination, black zinc nickel plating

HOW TO ORDER - RJ11F

1.

2.

3.

4.

Series	Shell type	Back termination (receptacle only)	Shell finish
RJ11F	7	2	B

1. Series

RJ11F	RJ11 Field
-------	------------

2. Shell type

6	Plug
2	Square flange receptacle
7	Jam nut receptacle

3. Back terminations (receptacle only)

1	Female RJ11
2	PCB with 6 tinned holes for cable soldering

4. Shell finish

B	Aluminium shell	Black Coating ✓
G		Olive Drab Cadmium plating
N		Nickel plating ✓
ZN		Black Zinc Nickel plating ✓

Examples :

Part number	Description
RJ11F21B	RJ11F, square flange receptacle, female RJ11 back termination, black coating
RJ11F72G	RJ11F, jam nut receptacle, PCB with 6 tinned holes for cable soldering back termination, olive drab cadmium plating
RJ11F6ZN	RJ11F, plug, black zinc nickel plating

✓ : RoHS compliant

HOW TO ORDER - RJFTV™

1.	2.	3.	4.	5.	6.	7.	8.
Series	Shell type	Coding (receptacle Cat.6 and Cat.6A only)	Backshell (receptacle only)	Back termination (receptacle only)	Shell material and finish	Cordset length (back termination type 2 only)	Cordset end (back termination type 2 only)
RJFTV	2		PE	1	N		

1. Series

RJFTV	Cat.5e Ethernet connector
RJFTV6	Cat.6 Ethernet connector (back termination 1 only)
RJFTV6A	Cat.6A Ethernet connector (back termination 1 and 1RA only)

2. Shell type

6	Plug	Plastic gland
6M		Metal gland
2	Square flange receptacle	
7	Jam nut receptacle	

3. Coding (receptacle Cat.6 and Cat.6A only)

A	Coding A
B	Coding B
C	Coding C
D	Coding D

4. Backshell (receptacle only)

	Without backshell	
PE	Metal backshell	Plastic gland
PEM		Metal gland
PEMWF	Metal In line receptacle	

5. Back termination (receptacle only)

1	Female RJ45
1RA	Right angle female RJ45
2	RJ45 cordset or PCB

6. Shell material and finish

G	Aluminium shell	Olive Drab Cadmium plating
N		Nickel plating ✓
ZN		Black Zinc Nickel plating ✓
BZ	Marine bronze shell ✓	

7. Cordset length (back termination type 2 only)

00	PCB with 8 tinned holes for cable soldering
03	0,3m [11.81 inches]
05	0,5m [19.68 inches]
10	1m [39.37 inches]
15	1,5m [59.05 inches]

8. Cordset end (back termination type 2 only)

100BTX	RJ45 plug at the end
OPEN	Open RJ cable without plug at the end

Examples :

Part number	Description
RJFTV6MN	RJFTV, plug with metal gland, nickel plating
RJFTV6A7CPEM1ZN	RJFTV Cat.6A, jam nut receptacle, coding C, metal backshell with metal gland, female RJ45 back termination, black zinc nickel plating
RJFTV6A7APEM1G	RJFTV Cat.6A, jam nut receptacle, coding A, metal backshell with metal gland, female RJ45 back termination, olive drab cadmium plating

HOW TO ORDER - RJFTV™ TRANSVERSALLY SEALED AND HERMETIC

1.	2.	3.	4.	5.	6.	7.	8.
Series	Shell type	Sealing type	Coding	Back termination	Shell material and finish	Cordset length (back termination type 2 only)	Cordset end (back termination type 2 only)
RJFTV	2	5	A	1RA	G		

1. Series

RJFTV	Cat.5e Ethernet connector
RJFTV6	Cat.6 Ethernet connector (back termination 1 only)
RJFTV6A	Cat.6A Ethernet connector (back termination 1 and 1RA only)

2. Shell type

2	Square flange receptacle
7	Jam nut receptacle

3. Sealing type

S	Transversally sealed receptacle
H	Hermetic receptacle

4. Coding

A	Coding A
B	Coding B
C	Coding C
D	Coding D

5. Back termination

1	Female RJ45
1RA	Right angle female RJ45
2	RJ45 cordset or PCB

6. Shell material and finish

G		Olive Drab Cadmium plating
N	Aluminium shell	Nickel plating ✓
ZN		Black Zinc Nickel plating ✓
BZ	Marine bronze shell ✓	

7. Cordset length (back termination type 2 only)

00	PCB with 8 tinned holes for cable soldering
03	0,3m [11.81 inches]
05	0,5m [19.68 inches]
10	1m [39.37 inches]
15	1,5m [59.05 inches]

8. Cordset end (back termination type 2 only)

100BTX	RJ45 plug at the end
OPEN	Open RJ cable without plug at the end

Examples :

Part number	Description
RJFTV7HA2G03100BTX	RJFTV Cat.5e, hermetic jam nut receptacle, coding A, 0,3m cordset with RJ45 plug at the end, olive drab cadmium plating
RJFTV67HA1N	RJFTV Cat.6, hermetic jam nut receptacle, coding A, female RJ45 back termination, nickel plating
RJFTV6A7SA1RAG	RJFTV Cat.6A, transversally sealed jam nut receptacle, coding A, right angle female RJ45 back termination, olive drab cadmium plating

HOW TO ORDER - RJFTV™ STAND-OFF RECEPTACLE

1.	2.	3.	4.	5.	6.
Series	Shell type	Coding	Back termination	Shell material and finish	Deviation
RJFTV6A	2S	A	5	G	F459

1. Series

RJFTV6A	Cat.6A Ethernet connector
---------	---------------------------

2. Shell type

2S	Transversally sealed square flange receptacle
7S	Transversally sealed receptacle jam nut receptacle

3. Coding

A	Coding A
B	Coding B
C	Coding C
D	Coding D

4. Back termination

5	PC Tails
---	----------

5. Shell material and finish

G		Olive Drab Cadmium plating
N	Aluminium shell	Nickel plating ✓
ZN		Black Zinc Nickel plating ✓
BZ	Marine bronze shell ✓	

6. Deviation

F459	Stand-off
------	-----------

Examples :

Part number	Description
RJFTV6A2SA5GF459	RJFTV Cat.6A, transversally sealed square flange receptacle, coding A, olive drab cadmium plating, PC tails back termination with stand-off deviation
RJFTV6A2SA5ZNF459	RJFTV Cat.6A, transversally sealed square flange receptacle, coding A, black zinc nickel plating, PC tails back termination with stand-off deviation
RJFTV6A7SA5BZF459	RJFTV Cat.6A, transversally sealed jam nut receptacle, coding A, marine bronze shell, PC tails back termination with stand-off deviation

HOW TO ORDER - RJFTV™ REDUCED FLANGE RECEPTACLE

- Metal range
- Composite range
- Cables and cordsets
- Adaptors and access points
- Accessories
- Assembly instructions
- How to order

1.	2.	3.	4.	5.	6.
Series	Shell type	Coding (avoid the coding for Cat.5e in F312 version)	Back termination	Shell material and finish	Deviation
RJFTV	7S	A	5	G	F059

1. Series

RJFTV	Cat.5e Ethernet connector
RJFTV6	Cat.6 Ethernet connector
RJFTV6A	Cat.6A Ethernet connector

2. Shell type

7	Jam nut receptacle (mandatory for F312 and F311 deviation)
7S	Sealed jam nut receptacle (mandatory for F059 and F058 deviation)

3. Coding (avoid the coding for Cat.5e in F312 version)

A	Coding A
B	Coding B
C	Coding C
D	Coding D

4. Back termination

1	Female RJ45
5	PC tails (mandatory for F059 and F058)

5. Shell material and finish

G		Olive Drab Cadmium plating
N	Aluminium shell	Nickel plating ✓
ZN		Black Zinc Nickel plating ✓
BZ	Marine bronze shell ✓	

6. Deviation

F312	Jam nut reduced flange receptacle
F311	Jam nut reduced flange receptacle with safety castle nut
F059	Jam nut reduced flange, Stand-off receptacle
F058	Jam nut reduced flange, Stand-off receptacle with safety castle nut

Examples :

Part number	Description
RJFTV67A1NF312	RJFTV Cat.6, jam nut receptacle, coding A, female RJ45 back termination, nickel plating, reduced flange deviation
RJFTV6A7A1ZNF312	RJFTV Cat.6A, jam nut receptacle, coding A, female RJ45 back termination, black zinc nickel plating, reduced flange deviation
RJFTV6A7SA5ZNF059	RJFTV Cat.6A, transversally sealed jam nut receptacle, coding A, black zinc nickel plating, PC tails back termination with reduced flange stand-off deviation

✓ : RoHS compliant

HOW TO ORDER - RJFTV™ THROUGH-BULKHEAD RECEPTACLE

1.	2.	3.	4.
Series	Shell type	Shell material and finish	Metallization
RJFTVB	7	G	ISO BRUT

1. Series

RJFTVB	Cat.5e Ethernet Through Bulkhead
RJFTV6B	Cat.6 Ethernet Through Bulkhead

2. Shell type

2	Square flange receptacle
7	Jam nut receptacle

3 Back termination (receptacles only)

G		Olive Drab Cadmium plating
N	Aluminium shell	Nickel plating ✓
ZN		Black Zinc Nickel plating ✓
BZ	Marine bronze shell ✓	

4. Metallization

ISO BRUT	None Metallized insert
ISO NI	Metallized insert

Examples :

Part number	Description
RJFTVB7GISOBRUT	RJFTV Cat.5e, through bulkhead jam nut receptacle, olive drab cadmium plating, none metallized insert
RJFTV6B7NISONI	RJFTV Cat.6, through bulkhead jam nut receptacle, nickel plating, metallized insert
RJFTVB2BZISONI	RJFTV Cat.5e, through bulkhead square flange receptacle, marine bronze shell, metallized insert

HOW TO ORDER - RJFTV™ - ATEX ZONE 2

1.	2.	3.	4.	5.	6.
Series	Shell type	Coding (for receptacle only)	Back termination (for receptacle only)	Shells material and finish	Cordset option (back termination type 2 only)
RJFTVX	2S	A	2	G	03 100BTX

1. Series

RJFTVX	Cat.5e Ethernet connector - ATEX zone 2
RJFTVX6	Cat.6 Ethernet connector - ATEX zone 2 (back termination 1 only)

2. Shell type

6M	Plug	Metal gland
2S	Square flange receptacle	Transversally sealed
7S	Jam nut receptacle	Transversally sealed

3. Coding (for receptacle only)

A	Coding A
B	Coding B
C	Coding C
D	Coding D

4. Back termination

1	Female RJ45
2	RJ45 cordset

5. Shell material and finish

G	Aluminium shell	Olive Drab Cadmium plating
N		Nickel plating ✓

6. Cordset option (back termination type 2 only)

03 100BTX	0,3m [11.81 inches]
05 100BTX	0,5m [19.68 inches]
10 100BTX	1m [39.37 inches]
15 100BTX	1,5m [59.05 inches]

Examples :

Part number	Description
RJFTVX62SB1N	RJFTV Cat.6, atex zone 2, transversally sealed square flange receptacle, coding B, female RJ45 back termination, nickel plating
RJFTVX7SA2N03100BTX	RJFTV Cat.5e, atex zone 2, transversally sealed jam nut receptacle, coding A, 0,3m cordset with RJ45 plug at the end, nickel plating
RJFTVX6MN	RJFTV, atex zone 2, plug with metal gland, nickel plating

HOW TO ORDER - RJ11FTV - ATEX ZONE 2

1.	2.	3.	4.	5.
Series	Shell type	Coding (for receptacle only)	Back termination (for receptacle only)	Shells material and finish
RJ11FTV X	2S	A	2	G

1. Series

RJ11FTVX	RJ11FTV Field - ATEX zone 2
----------	-----------------------------

2. Shell type

6M	Plug	Metal gland
2S	Square flange receptacle	Transversally sealed
7S	Jam nut receptacle	Transversally sealed

3. Coding (for receptacle only)

A	Coding A
B	Coding B
C	Coding C
D	Coding D

4. Back termination

1	Female RJ45
---	-------------

5. Shell material and finish

G	Aluminium shell	Olive Drab Cadmium plating
N		Nickel plating ✓

Examples :

Part number	Description
RJ11FTVX6MG	RJF11TV, atex zone 2, plug with metal gland, olive drab cadmium plating
RJ11FTVX7SA1G	RJF11TV, atex zone 2, transversally sealed jam nut receptacle, female RJ11 back termination, olive drab cadmium plating
RJ11FTVX2SA1N	RJF11TV, atex zone 2, transversally sealed square flange receptacle, female RJ11 back termination, nickel plating

✓ : RoHS compliant

HOW TO ORDER - RJFRB

1.

2.

3.

4.

Series	Shell type	Back termination (receptacle only)	Cordset length (back termination type 2 only)
RJFRB	7	1RA	

1. Series

RJFRB

Cat.5e and Cat.6 Ethernet connector

2. Shell type

6

Plug

7

Jam nut receptacle

3 Back termination (receptacles only)

1

Female RJ45

1RA

Right angle female RJ45

2

RJ45 cordset

3U

IDC Cat.6 - Unshielded

3F

IDC Cat.6 - Partial shielding

3S

IDC Cat.6 - Totaly shielded

5

PC tails

4. Cordset length (back termination type 2 only)

03 100BTX

0,3m [11.81 inches]

05 100BTX

0,5m [19.68 inches]

10 100BTX

1m [39.37 inches]

15 100BTX

1,5m [59.05 inches]

Examples :

Part number	Description
RJFRB6	RJFRB Cat.5e, plug
RJFRB75	RJFTV Cat.5e, jam nut receptacle, PC tails
RJFRB7203100BTX	RJFTV Cat.5e, jam nut receptacle, 0,3m cordset with RJ45 plug at the end

HOW TO ORDER - RJF544

1.	2.	3.	4.	5.
Series	Shell type	Receptacle option (shell type 2 only)	Back termination (shell type 2 only)	Cordset length (back termination type 2 only)
RJF544	2	SM	1RA	

1. Series

RJF544	Cat.5e Ethernet connector
RJF5446	Cat.6 Ethernet connector (back termination type 1 only)

2. Shell type

6	Composite push-pull plug
2	Composite square flange receptacle

3. Receptacle option (shell type 2 only)

	Without option
S	Transversally sealing
M	Metallized composite shell
SM	Transversally sealed and metallized composite shell

4. Back termination (shell type 2 only)

1	Female RJ45
1RA	Right angle female RJ45
2	RJ45 cordset

5. Cordset length (back termination type 2 only)

03 100BTX	0,3m [11.81 inches]
05 100BTX	0,5m [19.68 inches]
10 100BTX	1m [39.37 inches]
15 100BTX	1,5m [59.05 inches]
00	PCB with 8 tinned holes for cable soldering

Examples :

Part number	Description
RJF54421	RJF544 Cat.5e, square flange receptacle, female RJ45 back termination
RJF5442210100BTX	RJF544 Cat.5e, square flange receptacle, 1,0m cordset with RJ45 plug at the end
RJF54462M1	RJF544 Cat.6, square flange receptacle with metallized composite shell, female RJ45 back termination

HOW TO ORDER - CABLE

Part number	Ethernet categorie	Lenght	
190-038045-00	Cat.5E	100 m	328 ft
190-038045-01	Cat.5E	300 m	984 ft
191-031179-00	Cat.6	100 m	328 ft
191-031179-01	Cat.6	300 m	984 ft
191-031190-00	Cat.6A	100 m	328 ft
191-031190-01	Cat.6A	300 m	984 ft
191-031200-00	Cat.7	100 m	328 ft
191-031200-01	Cat.7	300 m	984 ft
191-031700-00	Cat.7 - VG95218T031	1 000 m	3 280 ft



✓ : RoHS compliant

HOW TO ORDER - CORDSET

1.

2.

3.

4.

Series	Cordsets	Ethernet categorie	Lenght
RJF	SFTP	5E	0350

1. Series

RJF RJF Cordset

2. Cordsets

SFTP Shielded and Foiled Twisted Pair

3. Ethernet categorie

5E	Cat.5E
6	Cat.6
6A	Cat.6A
7	Cat.7
7VG	Cat7, VG95218T031

4. Lenght

0075	0,75 m	2,46 ft
0100	1,00 m	3,28 ft
0150	1,50 m	4,92 ft
0200	2,00 m	6,56 ft
0250	2,50 m	8,20 ft
0300	3,00 m	9,84 ft
0350	3,50 m	11,48 ft
0400	4,00 m	13,12 ft
0450	4,50 m	14,76 ft
0500	5,00 m	16,40 ft
0600	6,00 m	19,68 ft
0700	7,00 m	22,96ft
0800	8,00 m	26,24 ft
0900	9,00 m	29,52 ft
1000	10,00 m	32,80 ft
1500	15,00 m	49,20 ft
2000	20,00 m	65,60 ft
2500	25,00 m	82,00 ft
3000	30,00 m	98,40 ft
3500	35,00 m	114,80 ft
4000	40,00 m	131,20 ft
4500	45,00 m	147,60 ft
5000	50,00 m	164,00 ft
6000	60,00 m	196,80 ft



Important note:

- Cordsets are with RJ45 plug overmolded on each end.

Examples :

Part number	Description
RJFSFTP60450	Cat5e cordset, 4,50m lenght
RJFSFTP6A4500	Cat6 cordset, 45,00m lenght
RJFSFTP70300	Cat7 cordset, 3,00m lenght

HOW TO ORDER - STANDARD PROTECTIVE CAP

1.

2.

3.

4.

5.

Series	Connector type	Wire type	Shell material and finish	Deviation
RJF C	6		B	

1. Series

RJF C	RJF standard protective cap
RJFTV C	RJFTV standard protective cap
RJ11F C	RJ11F standard protective cap
RJ11FTV C	RJ11FTV standard protective cap

2. Connector type

6	Plug
2	Square flange receptacle
7	Jam nut receptacle

3. Wire type

	Nylon cord
M	Metallic chain
MR	Stainless steel rope with teflon jacket

4. Shell material and finish

B	Aluminium shell	Black Coating ✓
G		Olive Drab Cadmium plating
N		Nickel plating ✓
ZN		Black Zinc Nickel plating ✓
BZ	Marine bronze shell ✓	

5. Deviation

F057	Reduced flange protective cap (RJFTV C only)
------	---

Examples :

Part number	Description
RJFC2N	RJF protective cap for square flange receptacle, nylon cord, nickel plating
RJFTVC2MRN	RJFTV protective cap for square flange receptacle, stainless steel rope with teflon jacket, nickel plating
RJ11FTVC6ZN	RJ11FTV protective cap for plug, nylon cord, black zinc nickel plating

NOTES

Area with horizontal dotted lines for taking notes.

- Metal range
- Composite range
- Cables and cordsets
- Adaptors and access points
- Accessories
- Assembly instructions
- How to order

ABOUT AMPHENOL

Founded in 1932, **Amphenol** is one of the largest manufacturers of interconnect products in the world. The company designs, manufactures, and markets electrical, electronic, and fiber optic connectors, interconnect systems, and coaxial and specialty cables.

Amphenol has a diversified presence as a leader in high growth areas of the interconnect industry and provides solutions for customers in the automotive, broadband, industrial, information technology and data communications, military and aerospace, mobile devices, and mobile networks markets.

More info on www.amphenol.com

Amphenol
ENABLING THE ELECTRONICS REVOLUTION

Europe

FRANCE	Amphenol AIR LB	2 rue Clément Ader, ZAC de Wé - 08110 Carignan	+33 3 24 22 78 49
FRANCE	Amphenol SEFEE	Z.I. des Cazes – BP243 - 12402 Saint-Affrique Cedex	+33 5 65 98 11 00
GERMANY	Amphenol AIR LB GMBH	Am Kleinbahnhof 4 - 66740 Saarlouis	+49 6831 981 00
ITALY	Amphenol EUROPEAN SALES OPERATIONS	Via Barbaiana n.5 - 20020 Lainate - Milano	+39 293 254 214
UNITED KINGDOM	Amphenol INVOTEC	Unit 1-3, Hedging Lane Industrial Estate, Dosthill - Tamworth, B77 5HH	+44 1827 263 000
UNITED KINGDOM	Amphenol IONIX SYSTEMS	Prospect House, Taylor Business Park, Risley, Warrington, WA3 6HP	+44 1 942 685 200
UNITED KINGDOM	Amphenol LTD	Thanet Way, Whitstable - KENT, CT53JF	+44 1227 773 200
UNITED KINGDOM	Amphenol MARTEC	St Augustines Business Park, Swaledcliffe Whitstable - Kent CT5 2QJ	+44 1227 793 733

North America

CANADA	Amphenol CANADA	605 Milner avenue - Toronto, Ontario	+1 416 291 0647
USA	Amphenol AEROSPACE OPERATIONS	40-60 Delaware street - Sidney, NY 13838	+1 800 678 0141
USA	Amphenol BORISH TECHNOLOGIES	4511 East Paris AVE - Grand Rapids, MI 49512	+1 616 554 9820
USA	Amphenol FSI	1300 Central Expwy N, Suite 100 - Allen, TX 75013	+1 214 547 2400
USA	Amphenol GRIFFITH ENTERPRISES	6000 East Coury Drive - Cottonwood, AZ 86326	+1 928 634 3685
USA	Amphenol NEXUS TECHNOLOGIES	50 Sunnyside Avenue - Stamford, CT 06902	+1 203 327 7300
USA	Amphenol PCD	72 Cherry Hill Drive - Beverly, MA. 01915	+1 978 624 3400
USA	Amphenol PRINTED CIRCUIT	Board Technology, 91 Northeastern Boulevard - Nashua, NH 03062	+1 603 324 4500
USA	Amphenol SV MICROWAVE	2400 Centrepark West Drive - West Palm Beach, FL	+1 561 840 1800
USA	Amphenol TIMES MICROWAVE	358 Hall Avenue - Wallingford, CT 06492	+1 800 867 2629

Asia

CHINA	Amphenol PCD CO.	Building 21, 1 st Liao Keng Industrial Zone, Shi Yan Street - Bao An District - Shenzhen 518108	+86 755 8173 8000/8286
INDIA	Amphenol INTERCONNECT INDIA	105 Bhosari Industrial Area - Pune 411 026	+91 20 27120363
JAPAN	Amphenol JAPAN	471-1, Deba, Ritto-City - Shiga 520 3041	+81 77 553 8501
KOREA	Amphenol DAESHIN	558 SongNae-Dong SoSa-Gu, Bucheon-city, Kyunggi-Do - 420-130	+81 32 610 3830/3845
SINGAPORE	Amphenol EAST ASIA	26/F, Railway Plaza, 39 Chatham Road South, Tsim Sha Tsui, Kowloon, Hong Kong	+65 6294 2128

Other Areas

AFRICA	Amphenol AFRICA	30 Impala Rd - Sandton 2146	+27 82 410 5179
ARGENTINA	Amphenol ARGENTINA	Av. Callao 930 2do piso Oficina B "Plaza" C1023 - AAP Buenos Aires	+54 11 4815 6886
AUSTRALIA	Amphenol AUSTRALIA PTY	2 Fiveways Blvd., Keysborough - Melbourne - Victoria 3173	+61 3 8796 8888
BRAZIL	Amphenol DO BRAZIL	Rua Diogo Moreira, 132, 20 andar, rooms 2001-2-3	+55 11 3815 1003
ISRAEL	Amphenol BAR-TEC	3 Hagavish Street, K fir-Barkan Bldg. East Industrial Zone - Kfar-Sava, 44102	+972 9 764 4100
MEXICO	Amphenol OPTIMIZE	Carretera Internacional Km 6.5, Col. Parque Industrial, Nogales, Sonora, C.P. 84094	+52 631 311 160
NEW ZEALAND	Amphenol PHITEK	Level 4, 2 Kingdon Street, Newmarket, Auckland 1023	+64 9 524 2984
RUSSIA	Amphenol RUSSIA	Yaroslavskaja Street 8 - 129164 Moscow	+7 495 937 6341
TURKEY	Amphenol TURKEY	Sun Plaza 15 Kat: 15 Maslak Hah. Bilim Sok. No.5 - Sisli/Istanbul, 34398	+90 212 367 92 19

Amphenol SOCAPEX

Amphenol Socapex

948, promenade de l'Arve BP29
74311 Thyez Cedex - France
+33 (0)4 50 89 28 00
contact@amphenol-socapex.fr
www.amphenol-socapex.com



For Technical Support

+33 (0)4 50 89 28 49
technicalsupport@amphenol-socapex.fr

To buy our products

+33 (0)4 50 90 28 00
contact@amphenol-socapex.fr
www.amphenol-socapex.com/amphenol/sales
Request a quote online at www.amphenol-socapex.com/quotation_request

Documentation

www.amphenol-socapex.com/documentation
To order a paper version of our catalogs, send an e-mail to communication@amphenol-socapex.fr

Check our product
inventory



Product Selectors
& 3D Files



NEW



www.amphenol-socapex.com

Follow Amphenol Socapex on social media :



This catalog uses paper from managed forests, PEFC & FSC labels, and is printed by a printer certified "Imprim'Vert®"

We reserve the right to modify our products in any way we deem necessary.
Any duplication is prohibited, unless approved in writing.

Designed by Amphenol Socapex
DOC-001041-ANG - June 2023