

CapLock & PlugLock

Locking accessories for 38999, RJFTV, USBFTV Connectors and Caps...



The contribution of Connectors to better Cybersecurity - 38999 Series III, RJFTV, USBFTV...

Cybersecurity is achieved through a combination of precautions, not just one, such as a password. One way to reduce the risk of opportunity intrusion into the electronics through the connectors is by adding locking devices.



Main Characteristics :

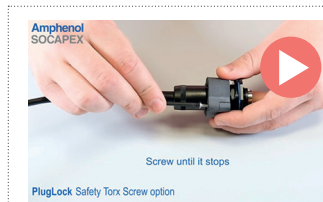
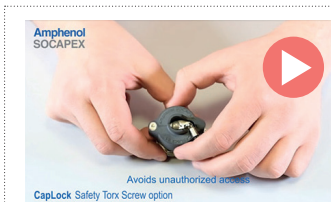
- Locking system preventing any access to critical connector. Prevent from intrusion or human error.
- For MIL-DTL-38999 series III shell type.
- Shocks : IK06 : weight of 250g drop from 40cm [15.75 in] onto the caplock or pluglock mounted.
- 3D Printed with composite material.
- Colour : Grey.
- 2 Locking types available:
 - Cable seal, metal wire, must be cut to unlock.
 - Torx Safety screw, removable with an adapted key wrench.
- Operating temperature:
 - For CapLock and PlugLock: -40°C / +85°C
 - For Metal CapLock: -65°C / +200°C

CapLock is a locking ring that allows a Cap to lock onto a receptacle to secure the port access. Once locked around the cap, Caplock turns freely around the cap and prevents fingers from unlocking it.

PlugLock is a locking ring that allows a plug to lock onto a receptacle to secure the plug to receptacle connection. Once locked around the plug coupling nut, Pluglock turns freely around it and prevent the fingers from unlocking it.



Watch our video



Markets & Applications



C5ISR
Network Access & Maintenance Ports securing
Military Computers Ports securing
SDR Radios Ports securing
Human Machine Interface securing



Naval
Consoles Ports securing
Network Access & Maintenance Ports securing
Data Centers



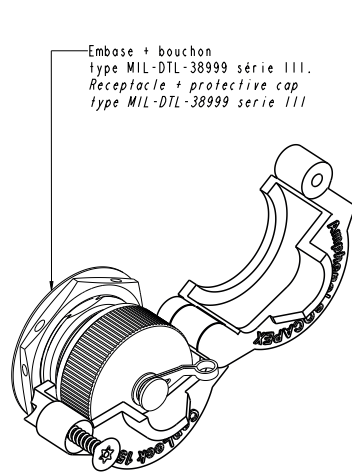
Military Aerospace & Airframe
Radars
Display unit
Flight control system



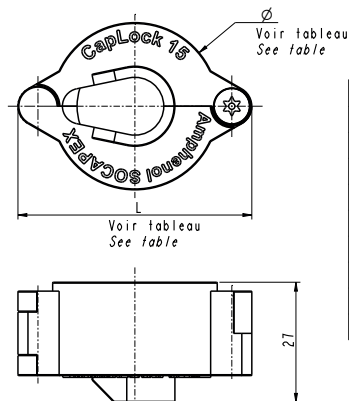
Military vehicles
Vetronics
Optronics
Communication Systems

Overall dimension

Part number type: **CapLock XX TX**



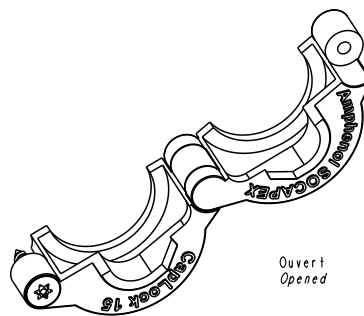
Embase + bouchon
type MIL-DTL-38999 série III.
Receptacle + protective cap
type MIL-DTL-38999 serie III



Shell size	$\varnothing \pm 0.2/[0.008]$	$L \pm 0.2/[0.008]$
T09	28.6 / [1.102]	43.6 / [1.692]
T11	33.6 / [1.299]	48.6 / [1.889]
T13	36.6 / [1.417]	51.6 / [2.007]
T15	37.6 / [1.456]	52.6 / [2.047]
T17	42.6 / [1.653]	57.6 / [2.244]
T19	44.6 / [1.732]	59.6 / [2.322]
T21	47.6 / [1.850]	62.6 / [2.440]
T23	50.6 / [1.968]	65.6 / [2.559]
T25	54.6 / [2.125]	69.6 / [2.716]



Fermé
Closed



Ouvert
Opened

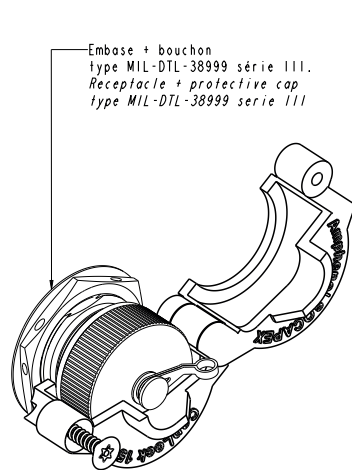
Tools to be ordered separately



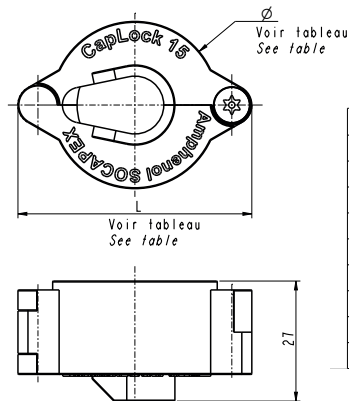
Clé de verrouillage réf: **30712**
locking tool P/N: **30712**

Embout de verrouillage réf: **30711**
locking tool P/N: **30711**

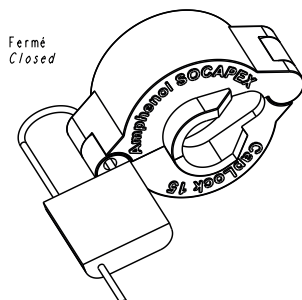
Part number type: **CapLock XX WR**



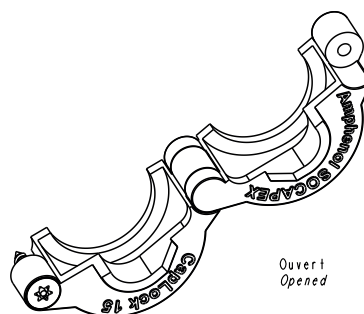
Embase + bouchon
type MIL-DTL-38999 série III.
Receptacle + protective cap
type MIL-DTL-38999 serie III



Shell size	$\varnothing \pm 0.2/[0.008]$	$L \pm 0.2/[0.008]$
T09	28.6 / [1.102]	43.6 / [1.692]
T11	33.6 / [1.299]	48.6 / [1.889]
T13	36.6 / [1.417]	51.6 / [2.007]
T15	37.6 / [1.456]	52.6 / [2.047]
T17	42.6 / [1.653]	57.6 / [2.244]
T19	44.6 / [1.732]	59.6 / [2.322]
T21	47.6 / [1.850]	62.6 / [2.440]
T23	50.6 / [1.968]	65.6 / [2.559]
T25	54.6 / [2.125]	69.6 / [2.716]

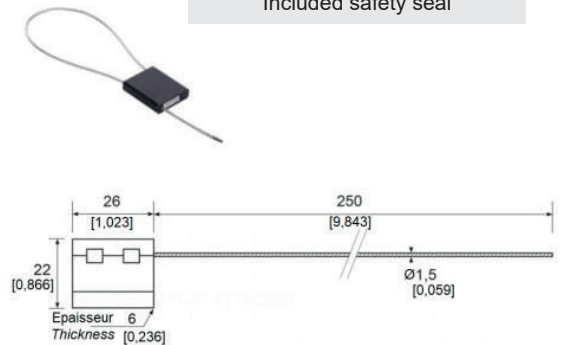


Fermé
Closed



Ouvert
Opened

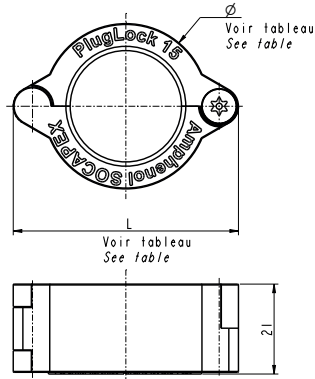
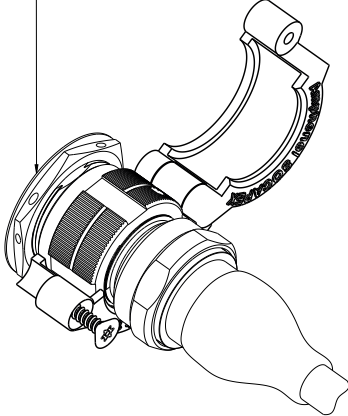
Included safety seal



Overall dimension

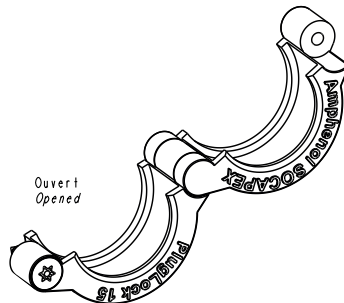
Part number type: **PlugLock XX TX**

Embase et fiche connectées
type MIL-DTL-38999 série III
Mated receptacle and plug
type MIL-DTL-38999 serie III



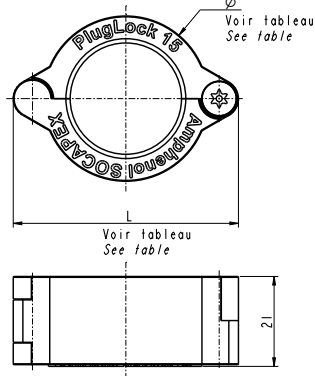
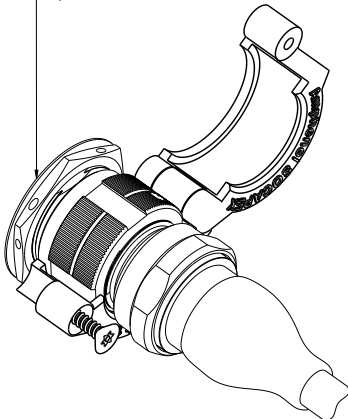
Shell size	Ø ±0.2/[0.008]	L ±0.2/[0.008]
T09	28.3 / [1.102]	42.3 / [1.653]
T11	31 / [1.220]	45 / [1.771]
T13	35.4 / [1.377]	49.4 / [1.929]
T15	38.6 / [1.496]	52.6 / [2.047]
T17	42.1 / [1.653]	56.1 / [2.204]
T19	44.8 / [1.732]	58.8 / [2.283]
T21	48 / [1.889]	62 / [2.440]
T23	51 / [2.007]	65 / [2.559]
T25	54.2 / [2.125]	68.2 / [2.677]

Tools to be ordered separately



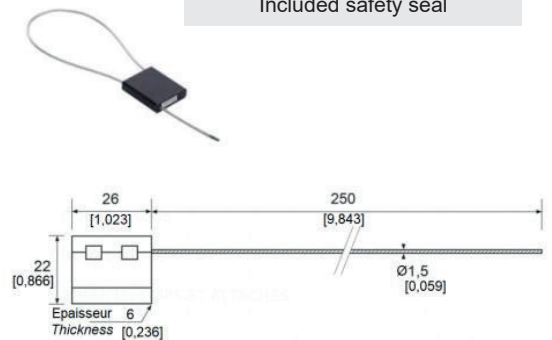
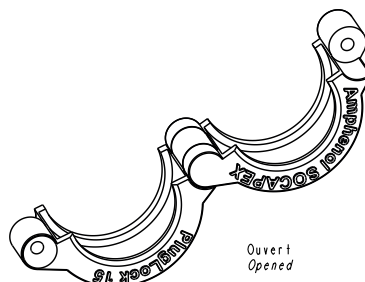
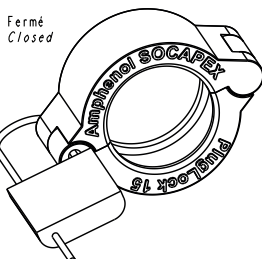
Part number type: **PlugLock XX WR**

Embase et fiche connectées
type MIL-DTL-38999 série III
Mated receptacle and plug
type MIL-DTL-38999 serie III



Shell size	Ø ±0.2/[0.008]	L ±0.2/[0.008]
T09	28.3 / [1.102]	42.3 / [1.653]
T11	31 / [1.220]	45 / [1.771]
T13	35.4 / [1.377]	49.4 / [1.929]
T15	38.6 / [1.496]	52.6 / [2.047]
T17	42.1 / [1.653]	56.1 / [2.204]
T19	44.8 / [1.732]	58.8 / [2.283]
T21	48 / [1.889]	62 / [2.440]
T23	51 / [2.007]	65 / [2.559]
T25	54.2 / [2.125]	68.2 / [2.677]

Included safety seal



HOW TO ORDER

1.

2.

3.

Series	Shell size	Locking
CapLock	19	TX

1. Series

CapLock	Locking ring for caps of 38999 Series III Receptacles
PlugLock	Locking ring for 38999 Series III Plugs

3. Locking

WR	Cable seal, metal wire to cut to unlock
TX	Torx Safety screw

2. Shell size

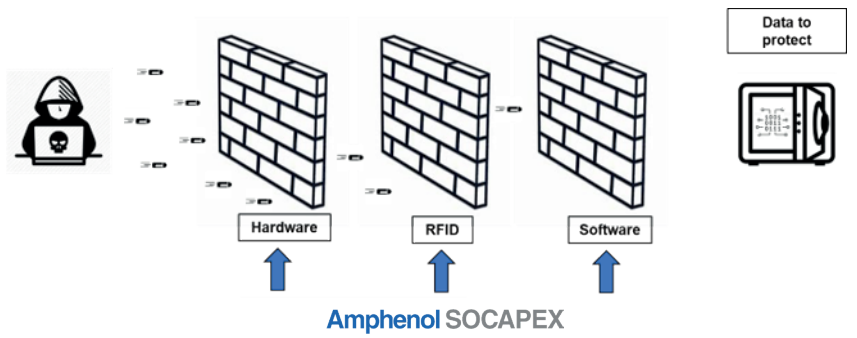
9	For MIL DTL 38999 Series III size 9 shells
11	For MIL DTL 38999 Series III size 11 and TV μ Com shells
13	For MIL DTL 38999 Series III size 13 and MPOF TV and MDPF TV shells
15	For MIL DTL 38999 Series III size 15 and USB Field TV shells
17	For MIL DTL 38999 Series III size 17 shells
19	For MIL DTL 38999 Series III size 19 and RJF TV and LCF TV shells
21	For MIL DTL 38999 Series III size 21 shells
23	For MIL DTL 38999 Series III size 23 shells
25	For MIL DTL 38999 Series III size 25 shells

Examples :

Part number	Description
CapLock19TX	Locking ring for caps of 38999 Series III Receptacles size 19 with torx locking system
CapLock19WR	Locking ring for caps of 38999 Series III Receptacles size 19 with seal cable locking system
PlugLock9TX	Locking ring for caps of 38999 Series III Receptacles size 9 with torx locking system

Amphenol SOCAPEX Other Solutions for Cybersecurity

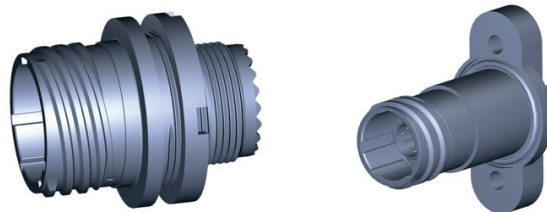
Cybersecurity is achieved through a combination of precautions, not just one such as a password. Connectors can contribute



► Hardware : Go through Fiber Optics via our Media Converters



► Hardware : Use our receptacles which cannot be dismantled from outside the box



► Hardware : Use our Adapters RJ45 & USB ↔ 38999 & 26482

RJ45 ◀ MIL-DTL-26482 Type	RJF Receptacle ◀ Quadrax receptacle	USB ◀ MIL-DTL-26482 Type	USB FTV ◀ 38999 11-98 plug
<ul style="list-style-type: none"> ► RJ45 ↔ Standard 26482 12-10 pin layout adapter ► ABS 1547 for Avionics applications 	<ul style="list-style-type: none"> ► RJ45 ↔ 2 Quadrax contacts - Bulkhead ► Avionics applications 	<ul style="list-style-type: none"> ► USB ↔ Standard 26482 12-10 pin layout adapter ► ABS 1547 for Avionics applications 	<ul style="list-style-type: none"> ► USB FTV ↔ Standard 38999 11-98 pin layout adapter ► C4ISR & Avionics applications

► RFID : Under investigation



NOTES

A series of horizontal dotted lines for taking notes, spanning the width of the page.

CapLock **NEW**

Secures physical access to receptacles



The advertisement features a dark blue background with a grid of binary code (0s and 1s). On the left, two circular inset images show a grey electrical receptacle. The first image shows the receptacle with its cap removed. The second image shows the cap attached to the receptacle, with a blue padlock icon overlaid on the cap. White curved arrows indicate the transition between the two states. To the right, a large, glowing blue shield with a white keyhole in the center is positioned on a grid. The shield is surrounded by faint, glowing lines and a circular ripple effect at its base.

PlugLock **NEW**

Locking Device to Secure Connectors



The advertisement features a dark blue background with a network diagram of interconnected nodes and lines. On the left, two circular inset images show a black electrical connector. The first image shows the connector with its locking device removed. The second image shows the locking device attached to the connector, with a blue padlock icon overlaid on the device. White curved arrows indicate the transition between the two states. To the right, a network diagram consists of several blue padlock icons connected by thin white lines, forming a web-like structure.