



LUMINUS SERIES CATALOG

Luminus Series circular connectors offer 1/4 turn bayonet-style or push-and-snap connections to streamline wire installation. Compliant with FAR25 standards, Luminus Series circular connectors are ideal for demanding military and aerospace environments.

LUMINUS

Overview

Luminus Series circular connectors are lightweight, cost-effective, and simple to use. With multiple configurations and arrangements available, a solution can be tailored to suite your application's exact requirements. Proven solutions can be found in single engine general aviation, multiple-engine business and passenger jets, and high performance rotary aircraft. Ideal where space is limited, these innovative, "scoop-proof" connectors feature a locking mechanism that ensures stability, are suitable for blind-mating, and are RoHS compliant.

Features & Benefit

1/4 turn bayonet style connection; push and snap connection	Makes wire installation/maintenance easy and efficient; positive "click" when locked
Interfacial and Triple-Barrier Seal	Enables environmental sealing (IP 67 rating)
Multiple Keying Positions	Ensures proper connectivity
Multiple Configurations and Accessories	Tailored solutions to meet application needs
Contacts	AS39029 MIL Spec contacts for broad application compatibility. Stamped & Formed available as lower cost option
Visual markings	Visual aid for easy assembly
Rugged Polyamide Housings; 500 mating cycles	Durability
Blind-Mate Connection	Enables simple, blind mating; easy assembly

Materials & Specifications

Materials	Insulator Body: Polyamide 6/6 (Nylon)
	Grommet & Face Seal: Silicone Rubber
	Contact Retainer: Stainless Steel
Temperature Range	-65°C to 125°C
Temperature Life	500 hours @ 85°C
Insulation Resistance	5000 MΩ Min. @ 500 VDC
Dielectric Withstanding	1500 VAC, 60 Hz @ Sea Level, 1ma
	300 VAC, 60 Hz @ 70,000 ft, 2ma
Durability	500 mating cycles
Temperature Cycling	5(1) Hour Cycles: -65°C to 125°C
Thermal Shock	-65°C to 200°C
Vibration	30G Sinusoidal; 43.96G Random
Shock	300G, 3msec, Half-Sine
Salt Spray	5% Salt Spray @ 95°C for 48 Hours
Humidity	10 Days @ 25°C to 65°C, 90% - 95% RH
Seal Rating	IP67
Altitude Immersion	Current Altitude Immersion Level Table Pgs. 3-4
RoHS & REACH Compliance	Yes
Flammability	UL94, V0.
	DOTG section 26.6.2 & 26.6.3
	FAR Part 25 App F Part I

Fluid Immersion	Lubricating Oil per Mil-Prf-7808	
	Cleaning Compound per Mil-Prf-87937, Alkaline Base	
	Isopropyl Alcohol & Mineral Spirit Solution	
	Skydrol Hydraulic Fluid	
	Hydraulic Fluids per MIL-PRF-83282; MIL-PRF-87257	
	Ethylene Glycol	
	Propylene Glycol	
Contact Insertion & Removal Force (Not to exceed)	Aviation Jet A	
	Size 22	10 lbs.
	Size 20	10 lbs.
	Size 16	13 lbs.
	Size 12	15 lbs.
Contact Retention (Min.)	Size 22	10 lbs.
	Size 20	15 lbs.
	Size 16	25 lbs.
	Size 12	30 lbs.

Current Altitude Immersion Level by Part Number

Part Number	Current Rating
SJS812730	12,000 feet
SJS812731	12,000 feet
SJS861400	12,000 feet
SJS861401	12,000 feet
SJS112120	12,000 feet
SJS112121	12,000 feet
SJS112160	12,000 feet
SJS112161	12,000 feet
SJS112162	12,000 feet
SJS112220	12,000 feet
SJS112221	12,000 feet
SJS112260	12,000 feet
SJS112261	12,000 feet
SJS112262	12,000 feet
SJS112320	12,000 feet
SJS112321	12,000 feet
SJS112360	12,000 feet
SJS112361	12,000 feet
SJS112362	12,000 feet
SJS112420	12,000 feet
SJS112421	12,000 feet
SJS112460	12,000 feet
SJS112461	12,000 feet
SJS112462	12,000 feet
SJS861300	12,000 feet
SJS861301	12,000 feet
SJS112110	12,000 feet
SJS112111	12,000 feet
SJS112210	12,000 feet
SJS112211	12,000 feet
SJS112310	12,000 feet
SJS112311	12,000 feet
SJS112410	12,000 feet
SJS112411	12,000 feet
SJS840310	25,000 feet
SJS840311	25,000 feet
SJS840340	25,000 feet
SJS840341	25,000 feet
SJS840410	25,000 feet
SJS840411	25,000 feet
SJS840440	25,000 feet
SJS840441	25,000 feet
SJS803130	25,000 feet
SJS803131	25,000 feet
SJS803730	25,000 feet
SJS803731	25,000 feet
SJS840300	25,000 feet
SJS840301	25,000 feet
SJS840320	25,000 feet
SJS840321	25,000 feet
SJS840330	25,000 feet
SJS840331	25,000 feet

Part Number	Current Rating
SJS840350	25,000 feet
SJS840351	25,000 feet
SJS804730	25,000 feet
SJS804731	25,000 feet
SJS804760	25,000 feet
SJS804761	25,000 feet
SJS804762	25,000 feet
SJS804790	25,000 feet
SJS804791	25,000 feet
SJS840400	25,000 feet
SJS840401	25,000 feet
SJS840450	25,000 feet
SJS840451	25,000 feet
SJS830250	50,000 feet
SJS830250T	50,000 feet
SJS830251	50,000 feet
SJS704120	50,000 feet
SJS704121	50,000 feet
SJS830101	50,000 feet
SJS830100	50,000 feet
SJS830102	50,000 feet
SJS831100	50,000 feet
SJS831101	50,000 feet
SJS831102	50,000 feet
SJS502160	50,000 feet
SJS502161	50,000 feet
SJS502162	50,000 feet
SJS502170	50,000 feet
SJS502171	50,000 feet
SJS502190	50,000 feet
SJS502191	50,000 feet
SJS830270	50,000 feet
SJS830270T	50,000 feet
SJS830271	50,000 feet
SJS704110	50,000 feet
SJS704111	50,000 feet
SJS830201	50,000 feet
SJS830221	50,000 feet
SJS708160	50,000 feet
SJS708161	50,000 feet
SJS708162	50,000 feet
SJS708170	50,000 feet
SJS708171	50,000 feet
SJS708190	50,000 feet
SJS708191	50,000 feet
SJS830200	50,000 feet
SJS830200T	50,000 feet
SJS830202	50,000 feet
SJS830220	50,000 feet
SJS830222	50,000 feet
SJS831200	50,000 feet

Current Altitude Immersion Level by Part Number

Part Number	Current Rating
SJS831201	50,000 feet
SJS831202	50,000 feet
SJS831220	50,000 feet
SJS831221	50,000 feet
SJS831222	50,000 feet
SJS862400	50,000 feet
SJS862401	50,000 feet
SJS862450	50,000 feet
SJS862451	50,000 feet
SJS862300	50,000 feet
SJS862301	50,000 feet
SJS870510	50,000 feet
SJS870511	50,000 feet
SJS406120	50,000 feet
SJS406120-S	50,000 feet
SJS406121	50,000 feet
SJS406121-S	50,000 feet
SJS706160	50,000 feet
SJS706161	50,000 feet
SJS706162	50,000 feet
SJS861800	50,000 feet
SJS861801	50,000 feet
SJS809130	50,000 feet
SJS809131	50,000 feet
SJS862200	50,000 feet
SJS862201	50,000 feet
SJS870520	50,000 feet
SJS870521	50,000 feet
SJS406110	50,000 feet
SJS406110-S	50,000 feet
SJS406111	50,000 feet
SJS861700	50,000 feet
SJS861701	50,000 feet
SJS862100	50,000 feet
SJS862101	50,000 feet
SJS830210	IP67 (sea level)
SJS830211	IP67 (sea level)
SJS805730	IP67 (sea level)
SJS805731	IP67 (sea level)
SJS860500	IP67 (sea level)
SJS860501	IP67 (sea level)
SJS860520	IP67 (sea level)
SJS860521	IP67 (sea level)
SJS412120	IP67 (sea level)
SJS412121	IP67 (sea level)
SJS425120	IP67 (sea level)
SJS425121	IP67 (sea level)
SJS425160	IP67 (sea level)
SJS425161	IP67 (sea level)
SJS425162	IP67 (sea level)
SJS425220	IP67 (sea level)
SJS425221	IP67 (sea level)

Part Number	Current Rating
SJS425260	IP67 (sea level)
SJS425261	IP67 (sea level)
SJS425262	IP67 (sea level)
SJS425320	IP67 (sea level)
SJS425321	IP67 (sea level)
SJS425360	IP67 (sea level)
SJS425361	IP67 (sea level)
SJS425362	IP67 (sea level)
SJS425420	IP67 (sea level)
SJS425421	IP67 (sea level)
SJS425460	IP67 (sea level)
SJS425461	IP67 (sea level)
SJS425462	IP67 (sea level)
SJS860200	IP67 (sea level)
SJS860201	IP67 (sea level)
SJS8AC730	IP67 (sea level)
SJS8AC731	IP67 (sea level)
SJS860900	IP67 (sea level)
SJS860901	IP67 (sea level)
SJS0AA730	IP67 (sea level)
SJS0AA731	IP67 (sea level)
SJS0AB770	IP67 (sea level)
SJS0AB771	IP67 (sea level)
SJS861200	IP67 (sea level)
SJS861201	IP67 (sea level)
SJS503160	IP67 (sea level)
SJS503161	IP67 (sea level)
SJS503162	IP67 (sea level)
SJS503170	IP67 (sea level)
SJS503171	IP67 (sea level)
SJS503190	IP67 (sea level)
SJS503191	IP67 (sea level)
SJS830230	IP67 (sea level)
SJS830231	IP67 (sea level)
SJS860510	IP67 (sea level)
SJS860511	IP67 (sea level)
SJS412110	IP67 (sea level)
SJS412111	IP67 (sea level)
SJS425110	IP67 (sea level)
SJS425111	IP67 (sea level)
SJS425210	IP67 (sea level)
SJS425211	IP67 (sea level)
SJS425310	IP67 (sea level)
SJS425311	IP67 (sea level)
SJS425410	IP67 (sea level)
SJS425411	IP67 (sea level)
SJS860100	IP67 (sea level)
SJS860101	IP67 (sea level)
SJS860910	IP67 (sea level)
SJS860911	IP67 (sea level)
SJS861100	IP67 (sea level)
SJS861101	IP67 (sea level)

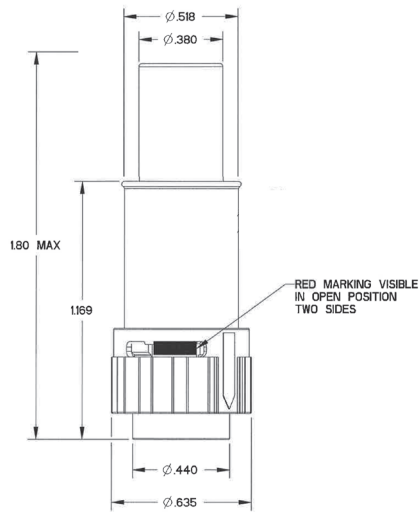
Part Numbering-Twist & Lock



# of Positions	Contact Size	Shell Size	Key	Color	Part Numbers						
					Plug	Receptacles					
						Inline	Circular	Square	Jamnut PCB Mount	Oval	Jamnut Rear Mount
1	Quadrax	8	-	-	SJS801110	SJS801120	-	-	-	-	-
2	22D	5	-	Black	SJS830250	SJS830270	-	-	SJS502160	SJS502170	SJS502190
3	16	8	A	White	SJS840310	SJS840300	SJS840320	SJS803730	-	-	-
3	16	8	B	Black	SJS840340	SJS840350	SJS840330	-	-	-	-
3	20	7	-	White	SJS862300	SJS862400	-	SJS862450	-	-	-
3	22D	5	-	Black	SJS830210	SJS830230	-	-	SJS503160	SJS503170	SJS503190
4	16	8	A	White	SJS840410	SJS840400	-	SJS804730	-	-	SJS804790
4	20	7	-	Black	SJS704110	SJS704120	-	-	-	-	-
5	20	8	-	Black	SJS8A5110	SJS8A5120	-	-	-	-	-
5	22D	8	A	White	SJS860510	SJS860500	SJS860520	SJS805730	-	-	-
5	22D	8	B	White	SJS870510	-	SJS870520	-	-	-	-
6	12	14	-	Black	SJS406110	SJS406120	-	-	-	-	-
6	22D	7	-	Black	SJS861700	SJS861800	-	-	SJS706160	-	-
8	22D	7	A	Black	SJS830100	SJS830200	-	SJS830220	SJS708160	SJS708170	SJS708190
8	22D	7	B	Green	SJS830101	SJS830201	-	SJS830221	-	-	-
8	22D	7	C	Yellow	SJS830102	SJS830202	-	SJS830222	-	-	-
9	22D	8	-	Black	SJS862100	SJS862200	-	SJS809130	-	-	-
12	16	14	-	Black	SJS412110	SJS412120	-	-	-	-	-
12	22D	8	-	White	SJS861300	SJS861400	-	SJS812730	-	-	-
12	22D	11	A	Black	SJS112110	SJS112120	-	-	SJS112160	-	-
12	22D	11	B	Green	SJS112210	SJS112220	-	-	SJS112260	-	-
12	22D	11	C	White	SJS112310	SJS112320	-	-	SJS112360	-	-
12	22D	11	D	Yellow	SJS112410	SJS112420	-	-	SJS112460	-	-
25	22D	14	A	Black	SJS425110	SJS425120	-	-	SJS425160	-	-
25	22D	14	B	Green	SJS425210	SJS425220	-	-	SJS425260	-	-
25	22D	14	C	White	SJS425310	SJS425320	-	-	SJS425360	-	-
25	22D	14	D	Yellow	SJS425410	SJS425420	-	-	SJS425460	-	-
9	1	16	8	White	SJS860100	SJS860200	-	SJS8AC730	-	-	-
	8	22D									
9	4	16	10	White	SJS860910	SJS860900	-	SJS0AA730	-	-	-
	5	22D									
10	4	16	10	White	SJS861100	SJS861200	-	-	-	-	-
	6	22D									

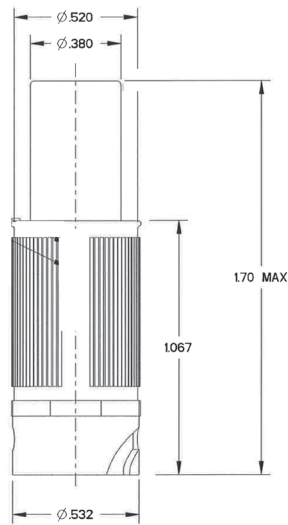
1 Position, Quadrax Inline Plug

APCD P/N	Contact Type	Contact P/N	Shell Size	Key	Color	P/N Marking	Mating
SJS801110	None		8	A	Black	SJS801110	SJS801120
SJS801110-1	Power	CNS808100					SJS801120-1
SJS801110-2	Differential Twinax	CNS882100					SJS801120-2
SJS801110-3		CNS882110					SJS801120-3
SJS801110-4		CNS882120					SJS801120-4
SJS801110-5		CNS882130					SJS801120-5
SJS801110-6		CNS882140					SJS801120-6
SJS801110-7		CNS882150					SJS801120-7
SJS801110-8		Quadrax					CNS882200
SJS801110-9	CNS882210						SJS801120-9
SJS801110-10	CNS882220						SJS801120-10
SJS801110-11	CNS882230						SJS801120-11
SJS801110-12	CNS882240						SJS801120-12
SJS801110-13	CNS882250		SJS801120-13				



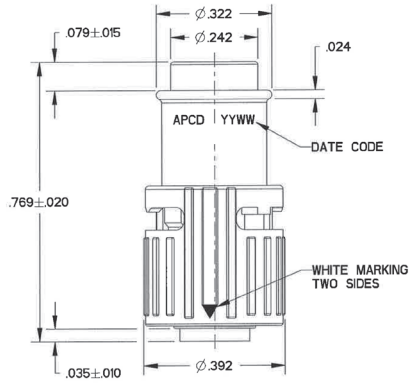
1 Position, Quadrax Inline Receptacle

APCD P/N	Contact Type	Contact P/N	Shell Size	Key	Color	P/N Marking	Mating
SJS801120	None		8	A	Black	SJS801120	SJS801110
SJS801120-1	Power	CNP808100					SJS801110-1
SJS801120-2	Differential Twinax	CNP882100					SJS801110-2
SJS801120-3		CNP882110					SJS801110-3
SJS801120-4		CNP882120					SJS801110-4
SJS801120-5		CNP882130					SJS801110-5
SJS801120-6		CNP882140					SJS801110-6
SJS801120-7		CNP882150					SJS801110-7
SJS801120-8		Quadrax					CNP882300
SJS801120-9	CNP882310						SJS801110-9
SJS801120-10	CNP882320						SJS801110-10
SJS801120-11	CNP882330						SJS801110-11
SJS801120-12	CNP882340						SJS801110-12
SJS801120-13	CNP882350		SJS801110-13				



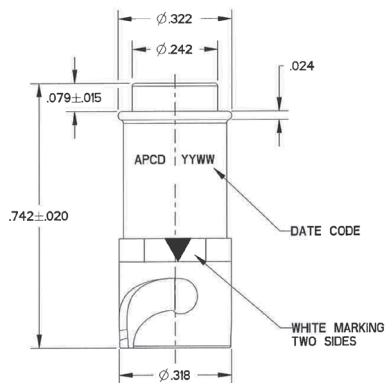
2 Position, Size 22 Inline Plug

APCD P/N	# of Contacts	Contact Size	Contact P/N	Shell Size	Key	Color	P/N Marking	Mating
SJS830250	None			5	A	Black	SJS830250	SJS830270 SJS502160 SJS502170 SJS502190
SJS830251	2	22	M39029/57-354					



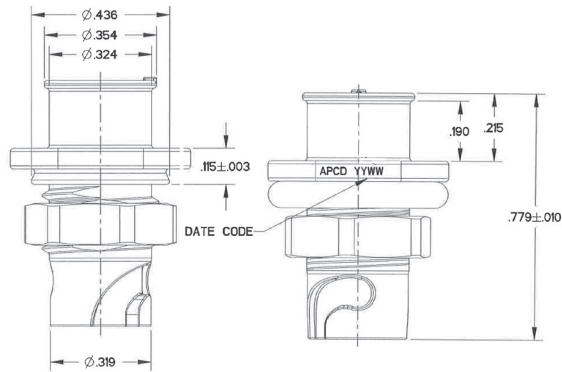
2 Position, Size 22 Inline Receptacle

APCD P/N	# of Contacts	Contact Size	Contact P/N	Shell Size	Key	Color	P/N Marking	Mating
SJS830270	None			5	A	Black	SJS830270	SJS830250
SJSB30271	2	22	M39029/58-360					



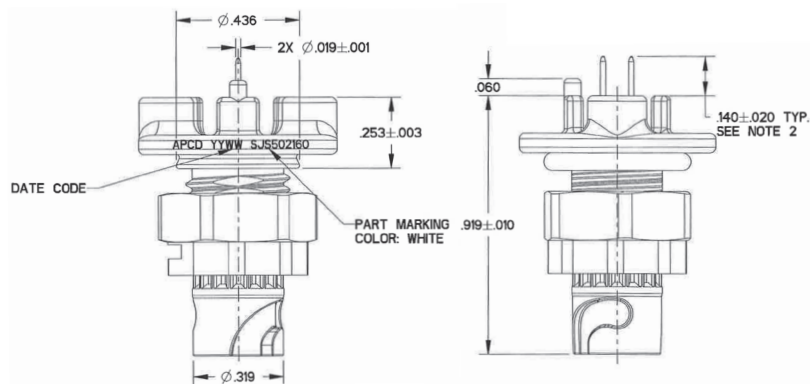
2 Position, Size 22 Jamnut Rear Mount Receptacle

APCD P/N	# of Contacts	Contact Size	Contact P/N	Shell Size	Key	Color	P/N Marking	Mating
SJS502190	None			5	A	Black	SJS502190	SJS830250
SJS502191	2	22	M39029/58-360					



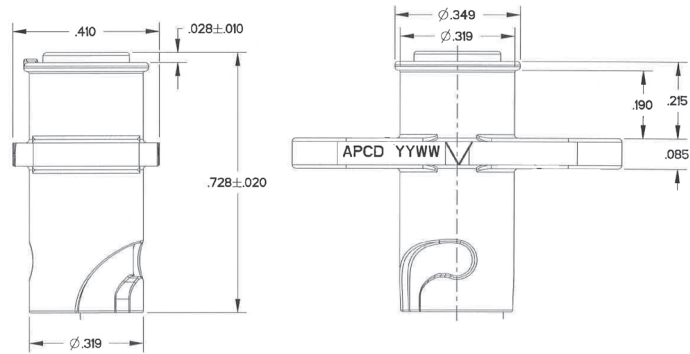
2 Position, Size 22 Jamnut Receptacle

APCD P/N	# of Contacts	Contact Size	Contact P/N	Shell Size	Key	Color	P/N Marking	Mating
SJS502160	None			5	A	Black	SJS502160	SJS830250
SJS502161	2	22	M39029/58-360					
SJS502162	2	22	CNP831033					



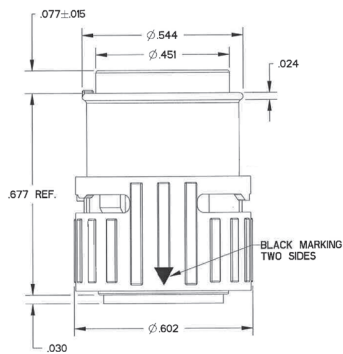
2 Position, Size 22 Oval Receptacle

APCD P/N	# of Contacts	Contact Size	Contact P/N	Shell Size	Key	Color	P/N Marking	Mating
SJS502170	None			5	A	Black	SJS502170	SJS830250
SJS502171	2	22	M39029/58-360					



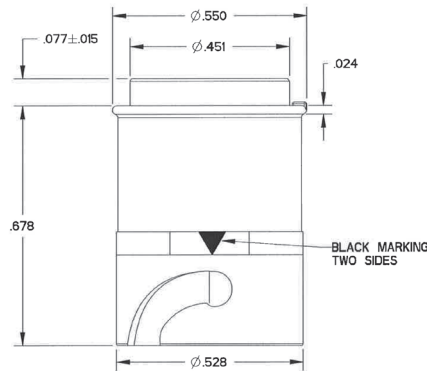
3 Position, Size 16 Inline Plug

APCD P/N	# of Contacts	Contact Size	Contact P/N	Shell Size	Key	Color	P/N Marking	Mating
SJS840310	None			8	A	White	SJS840310	SJS840300 SJS803730 SJS840320
SJS840311	3	16	M39029/57-358					
SJS840340	None				B	Black	SJS840340	SJS840350 SJS840330
SJS840341	3	16	M39029/57-358					



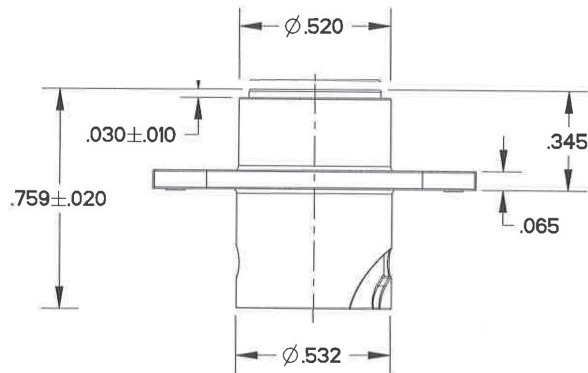
3 Position, Size 16 Inline Receptacle

APCD P/N	# of Contacts	Contact Size	Contact P/N	Shell Size	Key	Color	P/N Marking	Mating
SJS840300	None			8	A	White	SJS840300	SJS840310
SJS840301	3	16	M39029/58-364					
SJS840350	None				B	Black	SJS840350	SJS840340
SJS840351	3	16	M39029/58-364					



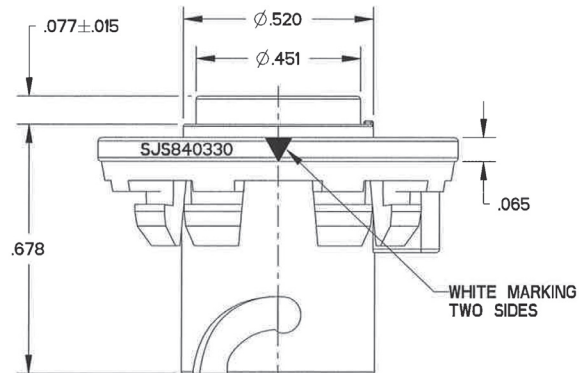
3 Position, Size 16 Square Receptacle

APCD P/N	# of Contacts	Contact Size	Contact P/N	Shell Size	Key	Color	P/N Marking	Mating
SJS803730	None			8	A	White	SJS803730	SJS840310
SJS903731	3	16	M39029/58-364					



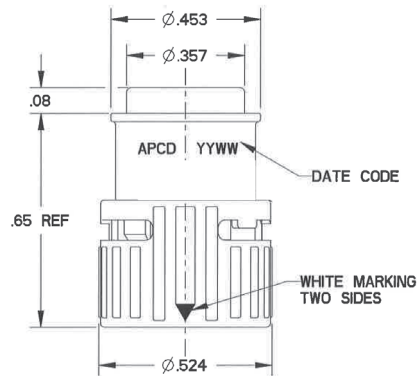
3 Position, Size 16 Circular Receptacle

APCD P/N	# of Contacts	Contact Size	Contact P/N	Shell Size	Key	Color	P/N Marking	Mating
SJS840320	None			8	A	White	SJS840320	SJS840310
SJS840321	3	16	M39029/58-364					
SJS840330	None				B	Black	SJS840330	SJS840340
SJS840331	3	16	M39029/58-364					



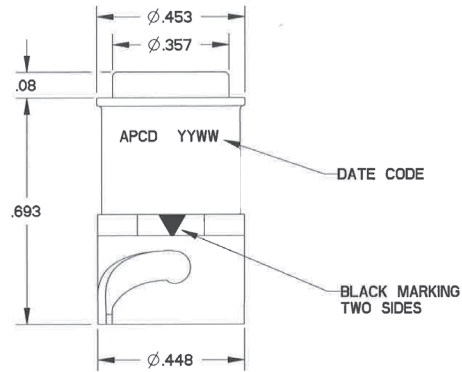
3 Position, Size 20 Inline Plug

APCD P/N	# of Contacts	Contact Size	Contact P/N	Shell Size	Key	Color	P/N Marking	Mating
SJS862300	None			7	A	White	SJS862300	SJS862400 SJS862450
SJS862301	3	20	M39029/57-357					



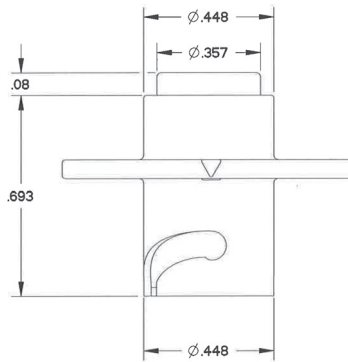
3 Position, Size 20 Inline Receptacle

APCD P/N	# of Contacts	Contact Size	Contact P/N	Shell Size	Key	Color	P/N Marking	Mating
SJS862400	None			7	A	White	SJS862400	SJS862300
SJS862401	3	20	M39029/58-363					



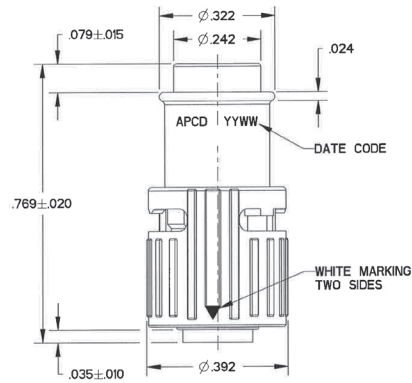
3 Position, Size 20 Square Receptacle

APCD P/N	# of Contacts	Contact Size	Contact P/N	Shell Size	Key	Color	P/N Marking	Mating
SJS862450	None			7	A	White	SJS862450	SJS862300
SJS862451	3	20	M39029/58-363					



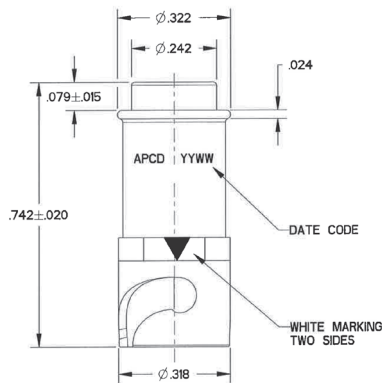
3 Position, Size 22 Inline Plug

APCD P/N	# of Contacts	Contact Size	Contact P/N	Shell Size	Key	Color	P/N Marking	Mating
SJS830210	None			5	A	Black	SJS830210	SJS830230 SJS503170 SJS503190 SJS503160
SJS830211	3	22	M39029/57-354					



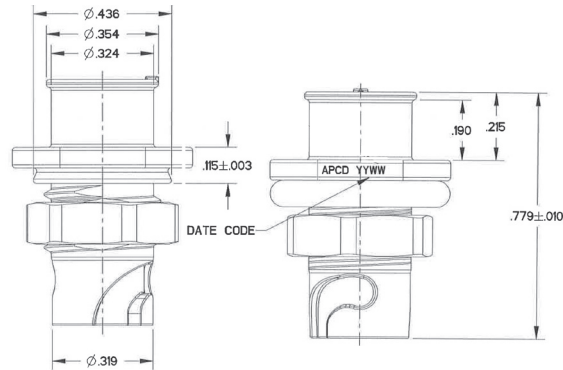
3 Position, Size 22 Inline Receptacle

APCD P/N	# of Contacts	Contact Size	Contact P/N	Shell Size	Key	Color	P/N Marking	Mating
SJS830230	None			5	A	Black	SJS830230	SJS830210
SJS830231	3	22	M39029/58-360					



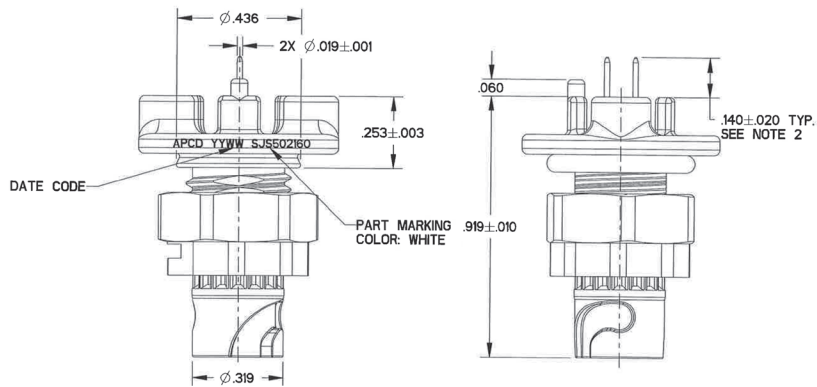
3 Position, Size 22 Jamnut Rear Mount Receptacle

APCD P/N	# of Contacts	Contact Size	Contact P/N	Shell Size	Key	Color	P/N Marking	Mating
SJS503190	None			5	A	Black	SJS503190	SJS830210
SJS503191	3	22	M39029/58-360					



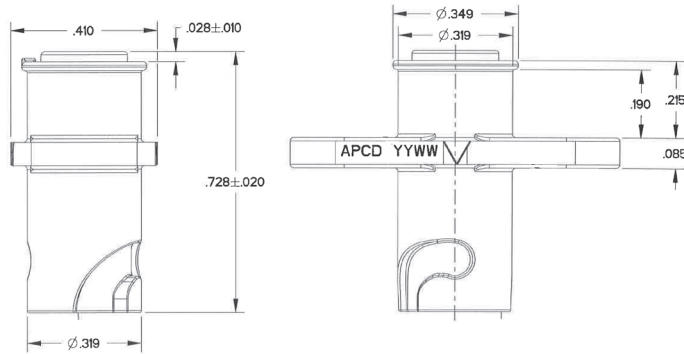
3 Position, Size 22 Jamnut Receptacle

APCD P/N	# of Contacts	Contact Size	Contact P/N	Shell Size	Key	Color	P/N Marking	Mating
SJS503160	None			5	A	Black	SJS503160	SJS830210
SJS503161	3	22	M39029/58-360					
SJS503162	3	22	CNP831033					



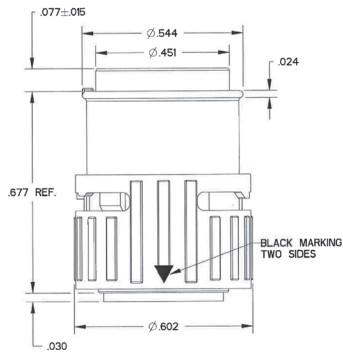
3 Position, Size 22 Oval Receptacle

APCD P/N	# of Contacts	Contact Size	Contact P/N	Shell Size	Key	Color	P/N Marking	Mating
SJS503170	None			5	A	Black	SJS503170	SJS830210
SJS503171	3	22	M39029/58-360					



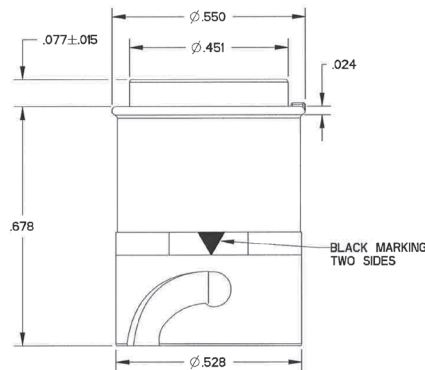
4 Position, Size 16 Inline Plug

APCD P/N	# of Contacts	Contact Size	Contact P/N	Shell Size	Key	Color	P/N Marking	Mating
SJS840410	None			8	A	White	SJS840410	SJS840400 SJS804730 SJS804760 SJS804790
SJS840411	4	16	M39029/57-358					



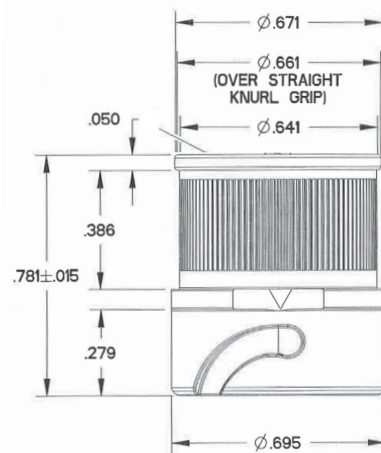
4 Position, Size 16 Inline Receptacle

APCD P/N	# of Contacts	Contact Size	Contact P/N	Shell Size	Key	Color	P/N Marking	Mating
SJS840400	None			8	A	White	SJS840400	SJS840410
SJS840401	4	16	M39029/58-364					
SJS840450	None							
SJS840451	4	16	M39029/58-364					



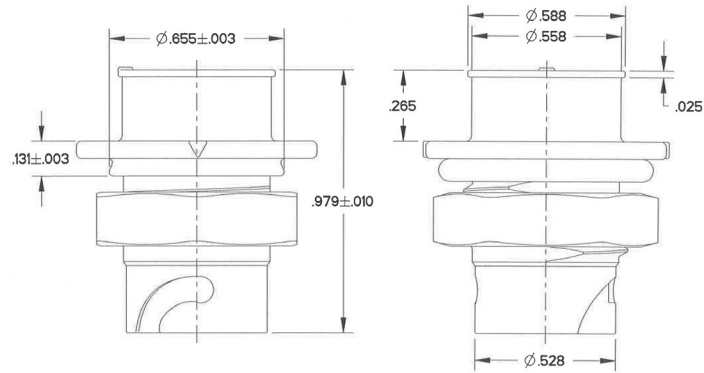
4 Position, Size 16 Inline Receptacle

APCD P/N	# of Contacts	Contact Size	Contact P/N	Shell Size	Key	Color	P/N Marking	Mating
SJS104120	None			11	A	Black	SJS104120	SJSB104110
SJS104121	4	16	M39029/58-364					



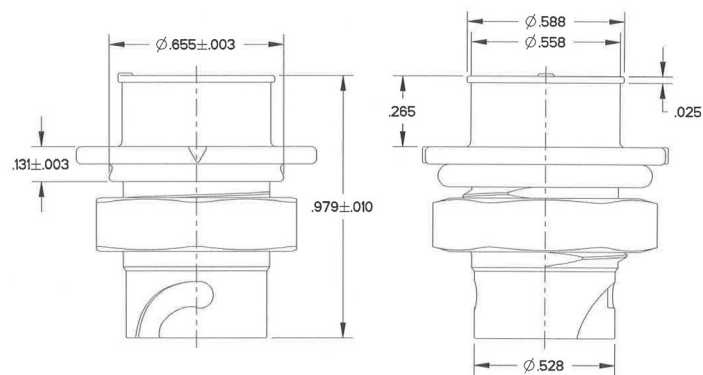
4 Position, Size 16 Jamnut Rear Receptacle

APCD P/N	# of Contacts	Contact Size	Contact P/N	Shell Size	Key	Color	P/N Marking	Mating
SJS804790	None			8	A	White	SJS804790	SJS840410
SJ5804791	4	16	M39029/58-364					



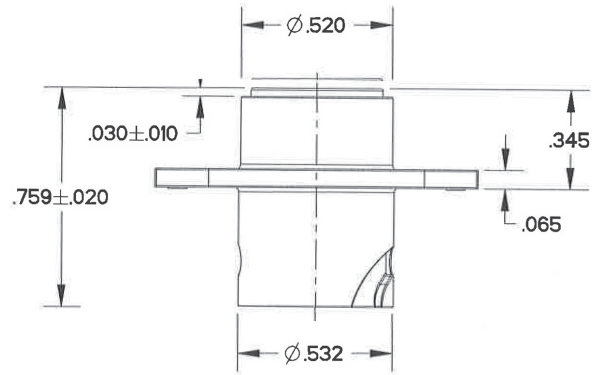
4 Position, Size 16 Jamnut Receptacle

APCD P/N	# of Contacts	Contact Size	Contact P/N	Shell Size	Key	Color	P/N Marking	Mating
SJS804760	None			8	A	White	SJS804760	SJS840410
SJS804761	4	16	M39029/58-364					
SJS804762	4	16	CNP8310160					



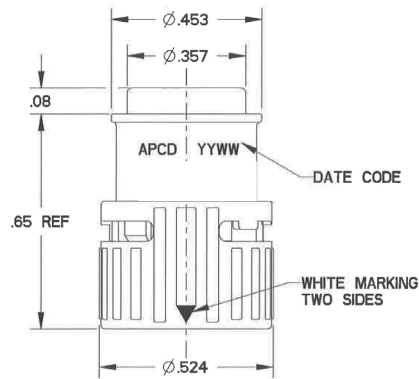
4 Position, Size 16 Square Receptacle

APCD P/N	# of Contacts	Contact Size	Contact P/N	Shell Size	Key	Color	P/N Marking	Mating
SJS804730	None			8	A	White	SJS804730	SJS840410
SJS804731	4	16	M39029/58-363					



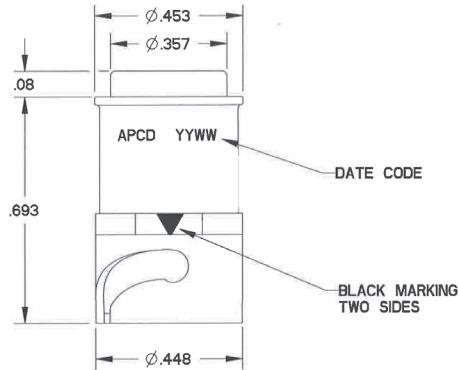
4 Position, Size 20 Inline Plug

APCD P/N	# of Contacts	Contact Size	Contact P/N	Shell Size	Key	Color	P/N Marking	Mating
SJS704110	None			7	A	Black	SJ5704110	SJS704120
SJ5704111	4	20	M39029/57-357					



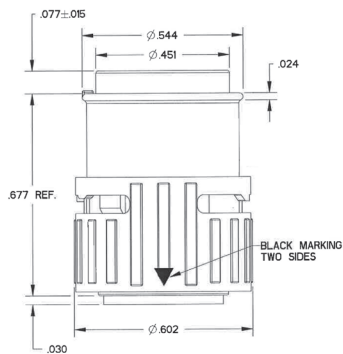
4 Position, Size 20 Inline Receptacle

APCD P/N	# of Contacts	Contact Size	Contact P/N	Shell Size	Key	Color	P/N Marking	Mating
SJS704120	None			7	A	Black	SJS704120	SJS704110
SJS704121	4	20	M39029/58-363					



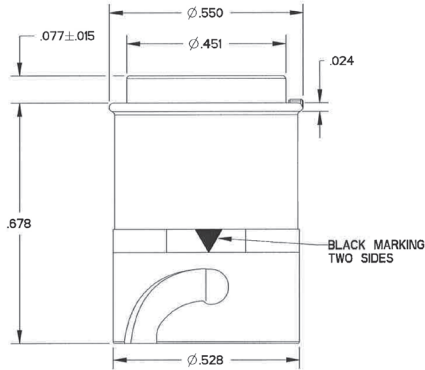
5 Position, Size 22 Inline Plug

APCD P/N	# of Contacts	Contact Size	Contact P/N	Shell Size	Key	Color	P/N Marking	Mating
SJS860510	None			8	A	White	SJS860510	SJS860500 SJS860520 SJS805730
SJS860511	5	22	M39029/57-354					
SJS870510	None			8	B	White	SJS870510	SJS870520
SJS870511	5	22	M39029/57-354					



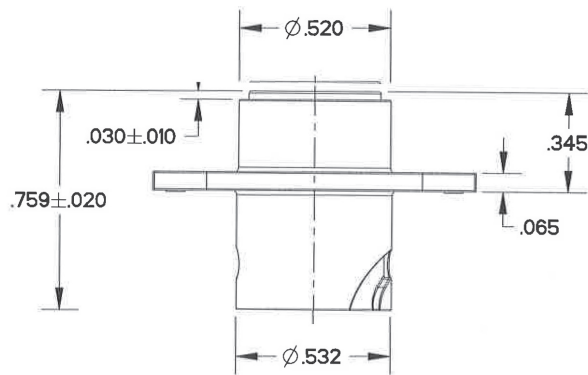
5 Position, Size 22 Inline Receptacle

APCD P/N	# of Contacts	Contact Size	Contact P/N	Shell Size	Key	Color	P/N Marking	Mating
SJS860500	None			8	A	White	SJS860500	SJS860510
SJS860501	5	22	M39029/58-360					



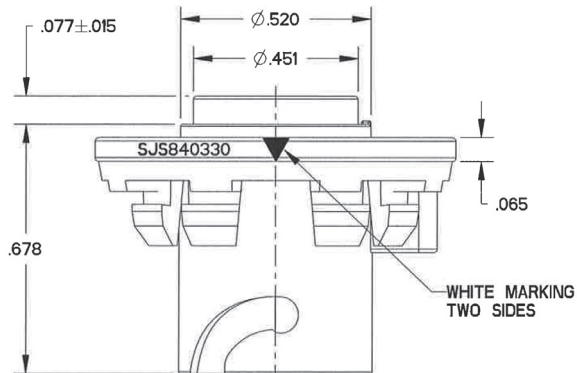
5 Position, Size 22 Square Receptacle

APCD P/N	# of Contacts	Contact Size	Contact P/N	Shell Size	Key	Color	P/N Marking	Mating
SJS805730	None			8	A	White	SJS805730	SJS860510
SJS805731	5	22	M39029/58-360					



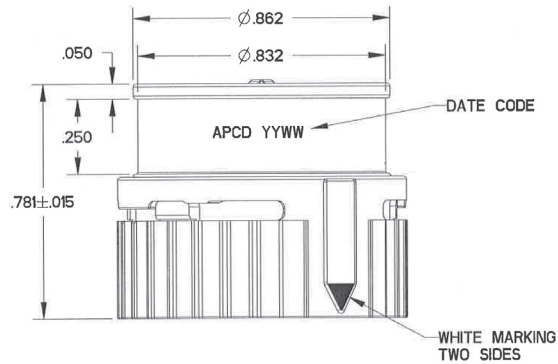
5 Position, Size 22 Circular Receptacle

APCD P/N	# of Contacts	Contact Size	Contact P/N	Shell Size	Key	Color	P/N Marking	Mating
SJS860520	None			8	A	White	SJS860520	SJS860510
SJS860521	5	22	M39029/58-360					
SJS870520	None				B	White	SJS870520	SJS870510
SJS870521	5	22	M39029/57-354					



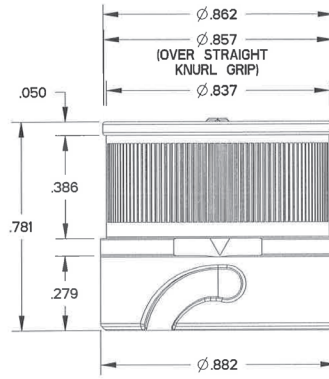
6 Position, Size 12 Inline Plug

APCD P/N	# of Contacts	Contact Size	Contact P/N	Shell Size	Key	Color	P/N Marking	Mating
SJS406110	None			14	A	Black	SJS406110	SJS406120
SJS406111	6	12	M39029/57-359					



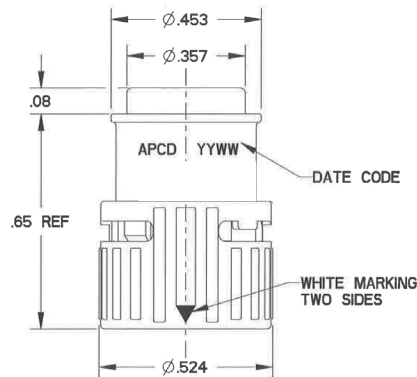
6 Position, Size 12 Inline Receptacle

APCD P/N	# of Contacts	Contact Size	Contact P/N	Shell Size	Key	Color	P/N Marking	Mating
SJS406120	None			14	A	Black	SJS406120	SJS406110
SJS406121	6	12	M39029/58-365					



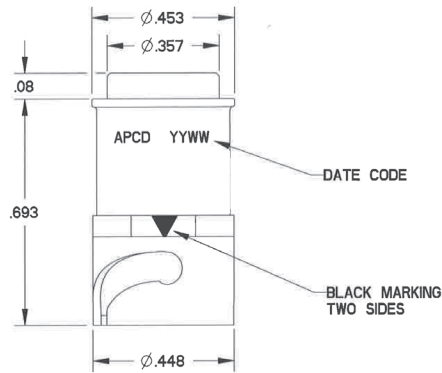
6 Position, Size 22 Inline Plug

APCD P/N	# of Contacts	Contact Size	Contact P/N	Shell Size	Key	Color	P/N Marking	Mating
SJS861700	None			7	A	Black	SJS861700	SJS861800 SJS706160
SJS861701	6	22	M39029/57-354					



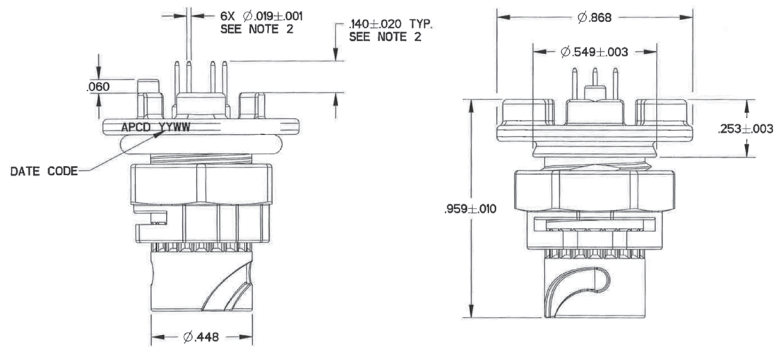
6 Position, Size 22 Inline Receptacle

APCD P/N	# of Contacts	Contact Size	Contact P/N	Shell Size	Key	Color	P/N Marking	Mating
SJS861800	None			7	A	Black	SJS861800	SJS861700
SJS861801	6	22	M39029/58-360					



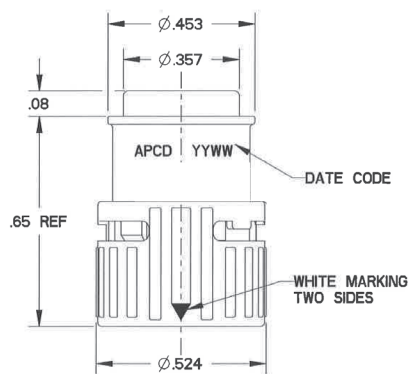
6 Position, Size 22 Jamnut Receptacle

APCD P/N	# of Contacts	Contact Size	Contact P/N	Shell Size	Key	Color	P/N Marking	Mating
SJS706160	None			7	A	Black	SJS706160	SJS861700
SJS706161	6	22	M39029/58-360					
SJS706162	6	22	CNP831033					



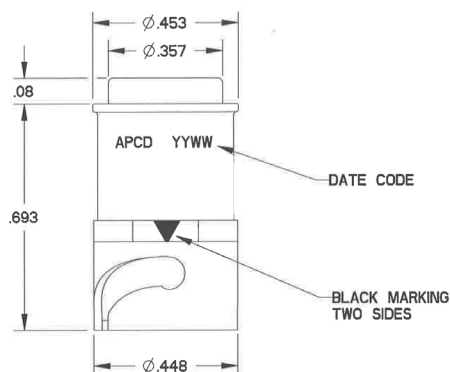
8 Position, Size 22 Inline Plug

APCD P/N	# of Contacts	Contact Size	Contact P/N	Shell Size	Key	Color	P/N Marking	Mating
SJS830100	None			7	A	Black	SJS830100	SJS830200 SJS830220 SJS708160 SJS708170 SJS708190
SJS831100	8	22	M39029/57-354					
SJS830101	None				B	Green	SJS830101	SJS830201 SJS830221
SJS831101	8	22	M39029/57-354					
SJS830102	None				C	Yellow	SJS830102	SJS830202 SJS830222
SJS831102	8	22	M39029/57-354					



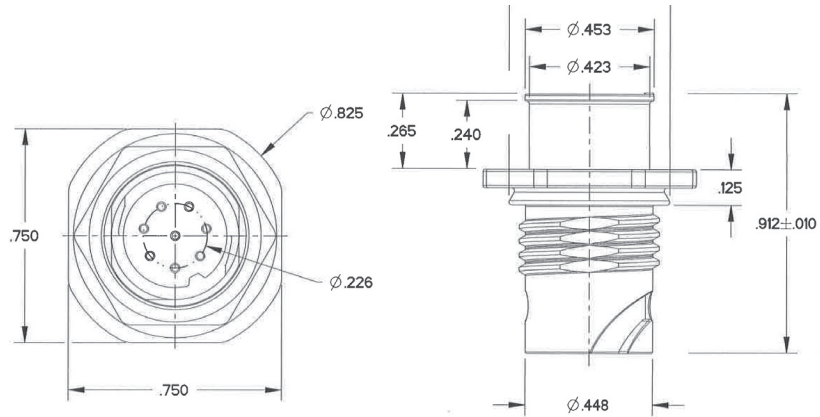
8 Position, Size 22 Inline Receptacle

APCD P/N	# of Contacts	Contact Size	Contact P/N	Shell Size	Key	Color	P/N Marking	Mating
SJS830200	None			7	A	Black	SJS830200	SJS830100
SJS831200	8	22	M39029/58-360					
SJS830201	None				B	Green	SJS830201	SJS830101
SJS831201	8	22	M39029/58-360					
SJS830202	None				C	Yellow	SJS830202	SJS830102
SJS831202	8	22	M39029/58-360					



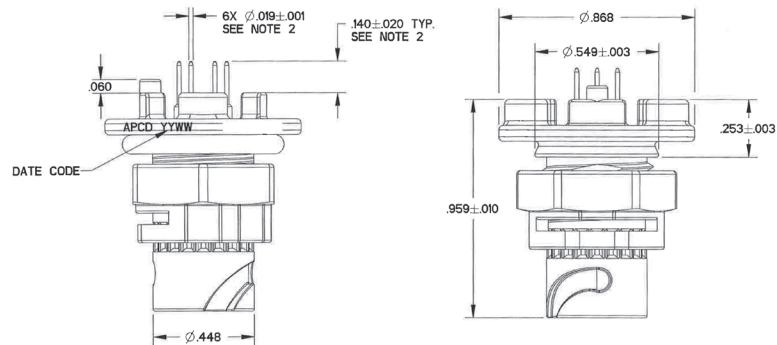
8 Position, Size 22/22D Jamnut Rear Receptacle

APCD P/N	# of Contacts	Contact Size	Contact P/N	Shell Size	Key	Color	P/N Marking	Mating
SJS708190	None			7	A	Black	SJS708190	SJS830100
SJS708191	8	22	M39029/58-360					



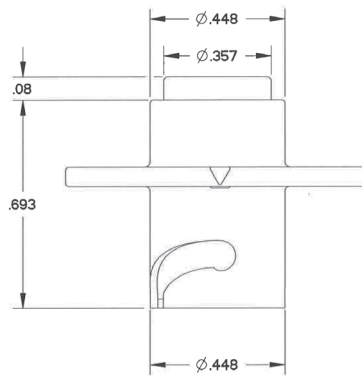
8 Position, Size 22 Jamnut Receptacle

APCD P/N	# of Contacts	Contact Size	Contact P/N	Shell Size	Key	Color	P/N Marking	Mating
SJS708160	None			7	A	Black	SJS708160	SJS830100
SJS708161	8	22	M39029/58-360					
SJS708162	8	22	CNP831033					



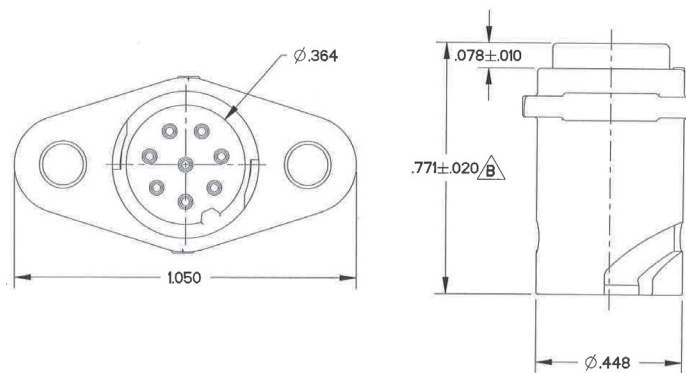
8 Position, Size 22 Square Receptacle

APCD P/N	# of Contacts	Contact Size	Contact P/N	Shell Size	Key	Color	P/N Marking	Mating
SJS830220	None			7	A	Black	SJS830220	SJS830100
SJS831220	8	22	M39029/58-360					
SJS830221	None							
SJS831221	8	22	M39029/58-360					
SJS830222	None							
SJS831222	8	22	M39029/58-360					



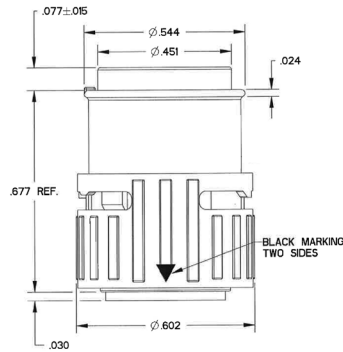
8 Position, Size 22 Oval Receptacle

APCD P/N	# of Contacts	Contact Size	Contact P/N	Shell Size	Key	Color	P/N Marking	Mating
SJS708170	None			7	A	Black	SJS708170	SJS830100
SJS708171	8	22	M39029/58-360					



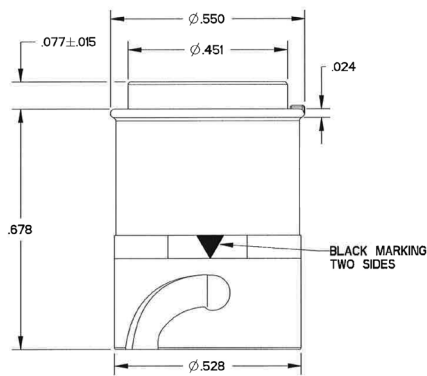
9 Position, Size 16/22 Inline Plug

APCD P/N	# of Contacts	Contact Size	Contact P/N	Shell Size	Key	Color	P/N Marking	Mating
SJS860100	None			8	A	White	SJS860100	SJS860200 SJS8AC730
SJS860101	8	22	M39029/57-354					
	1	16	M39029/57-358					



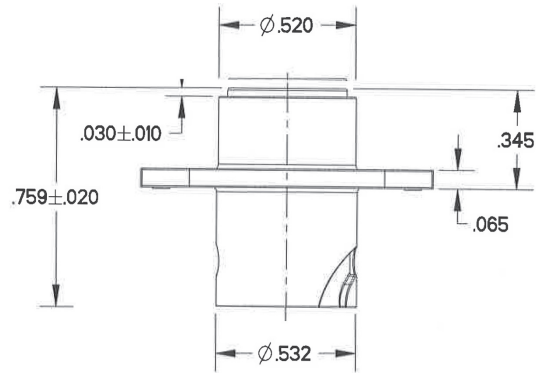
9 Position, Size 16/22 Inline Receptacle

APCD P/N	# of Contacts	Contact Size	Contact P/N	Shell Size	Key	Color	P/N Marking	Mating
SJS860200	None			8	A	White	SJS860200	SJS860100
SJS860201	8	22	M39029/58-360					
	1	16	M39029/58-364					



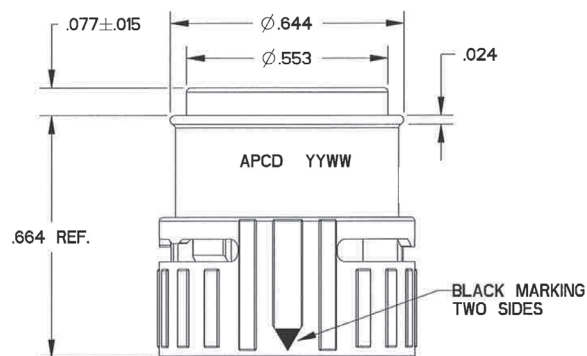
9 Position, Size 16/22 Square Receptacle

APCD P/N	# of Contacts	Contact Size	Contact P/N	Shell Size	Key	Color	P/N Marking	Mating
SJS8AC730	None			8	A	White	SJS8AC730	SJS860100
SJS8AC731	8	22/22D	M39029/58-360					
	1	16	M39029/58-364					



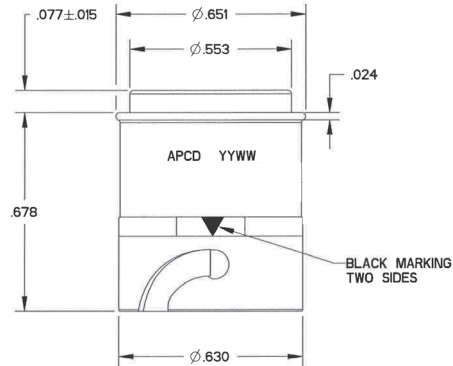
9 Position, Size 16/22 Inline Plug

APCD P/N	# of Contacts	Contact Size	Contact P/N	Shell Size	Key	Color	P/N Marking	Mating
SJS860910	None			10	A	White	SJS860910	SJS860900 SJS0AA730
SJS860911	5	22	M39029/57-354					
	4	16	M39029/57-354					



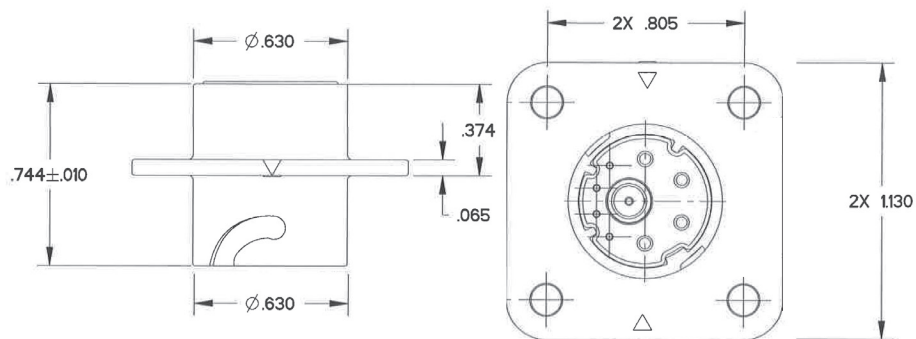
9 Position, Size 16/22 Inline Receptacle

APCD P/N	# of Contacts	Contact Size	Contact P/N	Shell Size	Key	Color	P/N Marking	Mating
SJS860900	None			10	A	White	SJS860900	SJS860910
SJS860901	5	22	M39029/58-360					
	4	16	M39029/58-364					



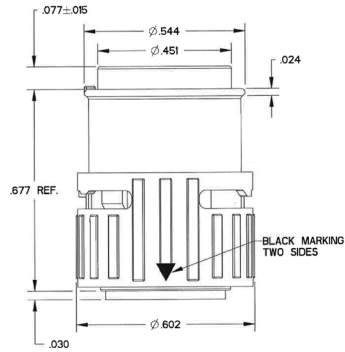
9 Position, Size 16/22 Square Receptacle

APCD P/N	# of Contacts	Contact Size	Contact P/N	Shell Size	Key	Color	P/N Marking	Mating
SJS0AA730	None			10	A	White	SJS0AA730	SJS860910
SJS0AA731	5	22/22D	M39029/58-360					
	4	16	M39029/58-364					



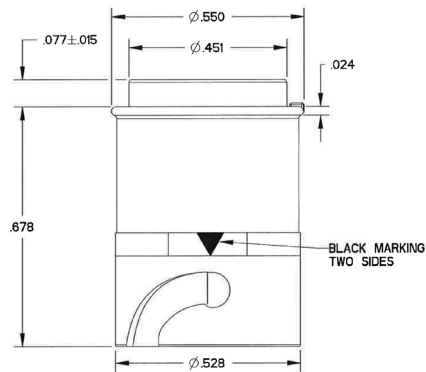
9 Position, Size 22 Inline Plug

APCD P/N	# of Contacts	Contact Size	Contact P/N	Shell Size	Key	Color	P/N Marking	Mating
SJS862100	None			8	A	Black	SJS862100	SJS862200 SJS809130
SJS862101	9	22	M39029/57-354					



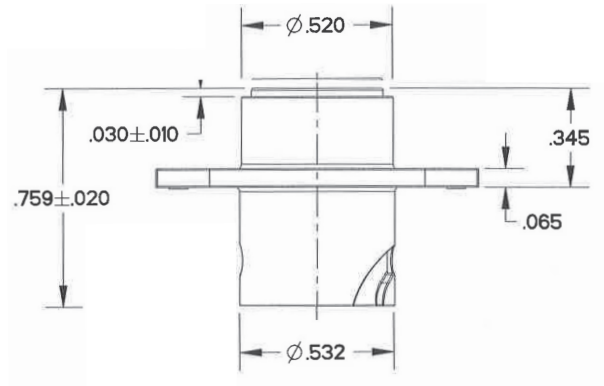
9 Position, Size 22 Inline Receptacle

APCD P/N	# of Contacts	Contact Size	Contact P/N	Shell Size	Key	Color	P/N Marking	Mating
SJS862200	None			8	A	Black	SJS862200	SJS862100
SJS862201	9	22	M39029/58-360					



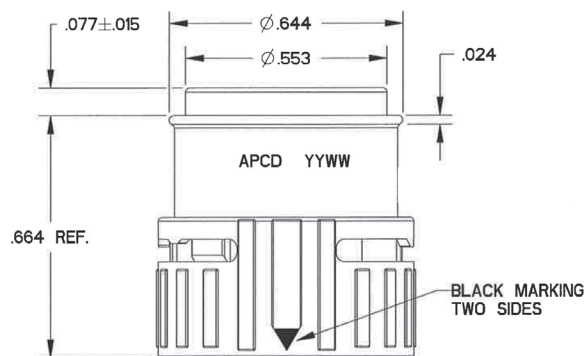
9 Position, Size 22 Square Receptacle

APCD P/N	# of Contacts	Contact Size	Contact P/N	Shell Size	Key	Color	P/N Marking	Mating
SJS809130	None			8	A	Black	SJS809130	SJS862100
SJS809131	9	22	M39029/58-360					



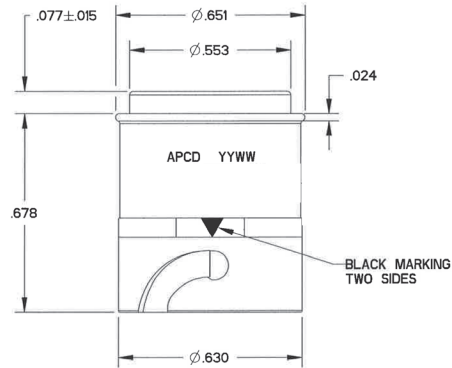
10 Position, Size 16/22 Inline Plug

APCD P/N	# of Contacts	Contact Size	Contact P/N	Shell Size	Key	Color	P/N Marking	Mating
SJS861100	None			10	A	White	SJS861100	SJS861200
SJS861101	6	22	M39029/57-354					
	4	16	M39029/57-358					



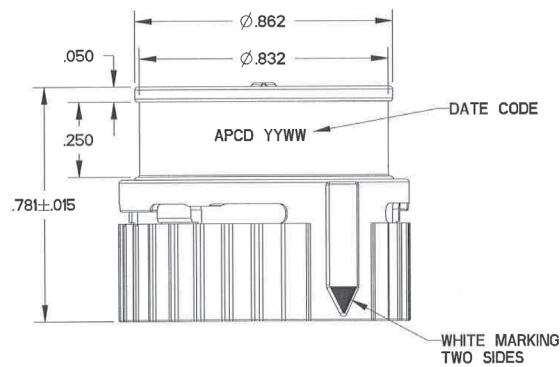
10 Position, Size 16/22 Inline Receptacle

APCD P/N	# of Contacts	Contact Size	Contact P/N	Shell Size	Key	Color	P/N Marking	Mating
SJS861200	None			10	A	White	SJS861200	SJS861100
SJS861201	6	22	M39029/58-360					
	4	16	M39029/58-364					



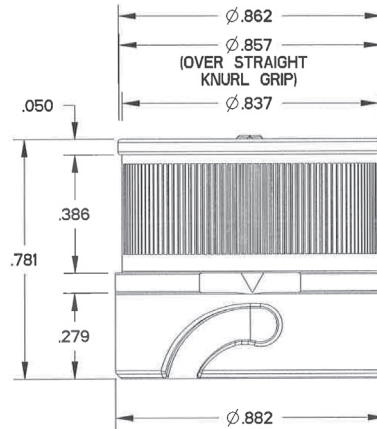
12 Position, Size 16 Inline Plug

APCD P/N	# of Contacts	Contact Size	Contact P/N	Shell Size	Key	Color	P/N Marking	Mating
SJS412110	None			14	A	Black	SJS412110	SJS412120
SJS412111	12	16	M39029/57-358					



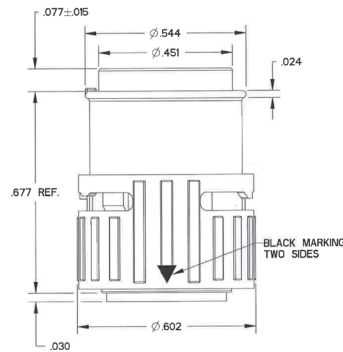
12 Position, Size 16 Inline Receptacle

APCD P/N	# of Contacts	Contact Size	Contact P/N	Shell Size	Key	Color	P/N Marking	Mating
SJS412120	None			14	A	Black	SJS412120	SJS412110
SJS412121	12	16	M39029/58-364					



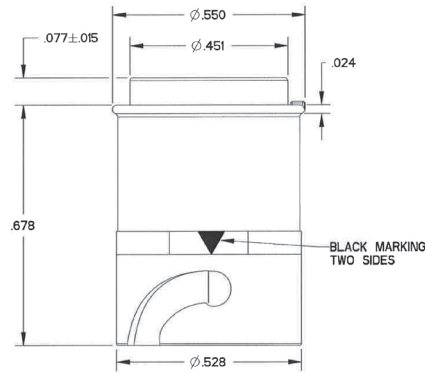
12 Position, Size 22 Inline Plug

APCD P/N	# of Contacts	Contact Size	Contact P/N	Shell Size	Key	Color	P/N Marking	Mating
SJS861300	None			8	A	White	SJS861300	SJS861400 SJS812730
SJS861301	12	22	M39029/57-354					



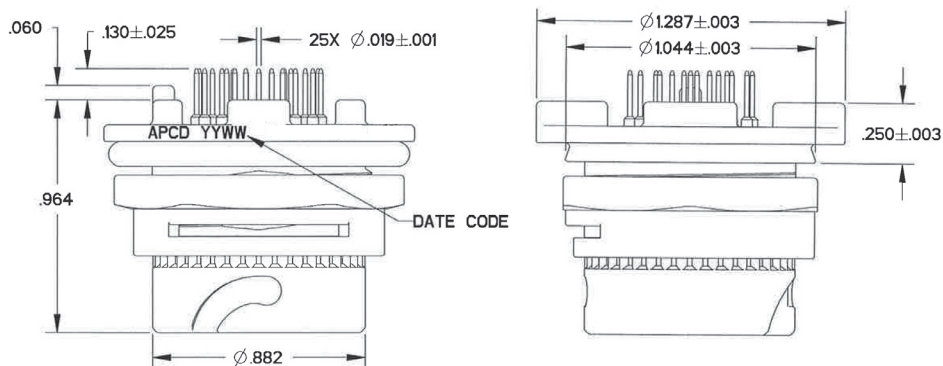
12 Position, Size 22 Inline Receptacle

APCD P/N	# of Contacts	Contact Size	Contact P/N	Shell Size	Key	Color	P/N Marking	Mating
SJS861400	None			8	A	White	SJS861400	SJS861300
SJS861401	12	22	M39029/58-360					



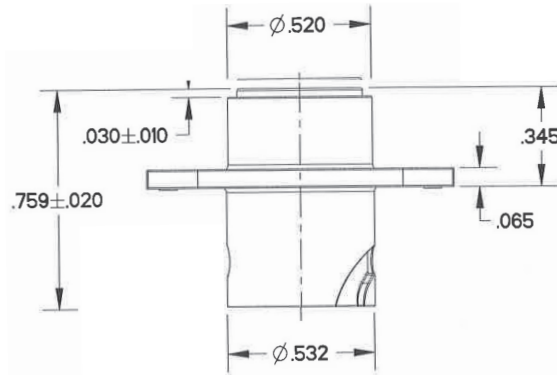
12 Position, Size 22 Jamnut Receptacle

APCD P/N	# of Contacts	Contact Size	Contact P/N	Shell Size	Key	Color	P/N Marking	Mating
SJS112160	None			11	A	Black	SJS112160	SJS112110
SJS112161	12	22	M39029/58-360					
SJS112162	12	22	CNP831033					
SJS112260	None				B	Green	SJS112260	SJS112210
SJS112261	12	22	M39029/58-360					
SJS112262	12	22	CNP831033					
SJS112360	None				C	White	SJS112360	SJS112310
SJS112361	12	22	M39029/58-360					
SJS112362	12	22	CNP831033					
SJS112460	None				D	Yellow	SJS112460	SJS112410
SJS112461	12	22	M39029/58-360					
SJS112462	12	22	CNP831033					



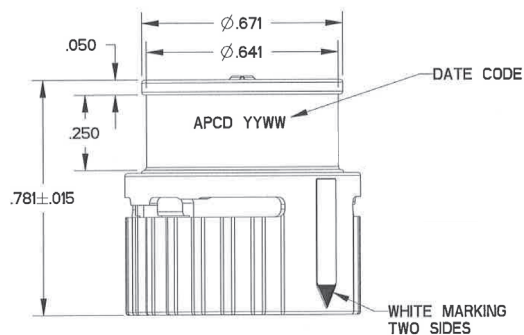
12 Position, Size 22 Square Receptacle

APCD P/N	# of Contacts	Contact Size	Contact P/N	Shell Size	Key	Color	P/N Marking	Mating
SJS812730	None			8	A	White	SJS812730	SJS861300
SJS812731	12	22	M39029/58-360					



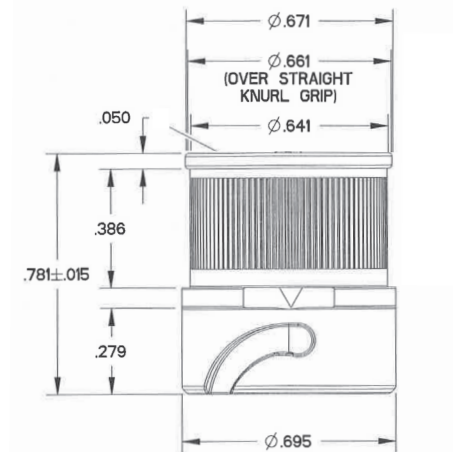
12 Position, Size 22 Inline Plug

APCD P/N	# of Contacts	Contact Size	Contact P/N	Shell Size	Key	Color	P/N Marking	Mating
SJS112110	None			11	A	Black	SJS112110	SJS112120 SJS112160
SJS112111	12	22	M39029/57-354					
SJS112210	None				B	Green	SJS112210	SJS112220 SJS112260
SJS112211	12	22	M39029/57-354					
SJS112310	None				C	White	SJS112310	SJS112320 SJS112360
SJS112311	12	22	M39029/57-354					
SJS112410	None				D	Yellow	SJS112410	SJS112420 SJS112460
SJS112411	12	22	M39029/57-354					



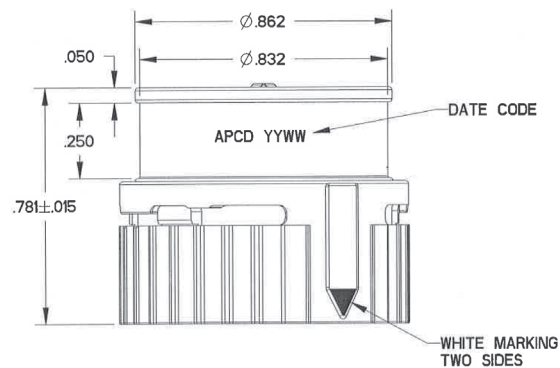
12 Position, Size 22 Inline Receptacle

APCD P/N	# of Contacts	Contact Size	Contact P/N	Shell Size	Key	Color	P/N Marking	Mating
SJS112120	None			11	A	Black	SJS112120	SJS112110
SJS112121	12	22	M39029/58-360					
SJS112220	None				B	Green	SJS112220	SJS112210
SJS112221	12	22	M39029/58-360					
SJS112320	None				C	White	SJS112320	SJS112310
SJS112321	12	22	M39029/58-360					
SJS112420	None				D	Yellow	SJS112420	SJS112410
SJS112421	12	22	M39029/58-360					



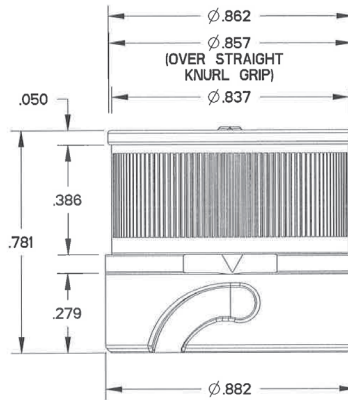
25 Position, Size 12 Inline Plug

APCD P/N	# of Contacts	Contact Size	Contact P/N	Shell Size	Key	Color	P/N Marking	Mating
SJS425110	None			14	A	Black	SJS425110	SJS425120 SJS425160
SJS425111	25	22	M39029/57-354					
SJS425210	None				B	Green	SJS425210	SJS425220 SJS425260
SJS425211	25	22	M39029/57-354					
SJS425310	None				C	White	SJS425310	SJS425320 SJS425360
SJS425311	25	22	M39029/57-354					
SJS425410	None				D	Yellow	SJS425410	SJS425420 SJS425460
SJS425411	25	22	M39029/57-354					



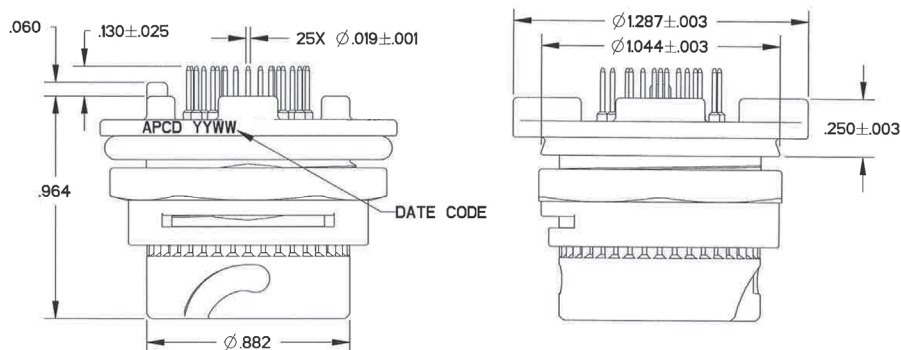
25 Position, Size 22 Inline Receptacle

APCD P/N	# of Contacts	Contact Size	Contact P/N	Shell Size	Key	Color	P/N Marking	Mating
SJS425120	None			14	A	Black	SJS425120	SJS425110
SJS425121	25	22	M39029/58-360					
SJS425220	None				B	Green	SJS425220	SJS425210
SJS425221	25	22	M39029/58-360					
SJS425320	None				C	White	SJS425320	SJS425310
SJS425321	25	22	M39029/58-360					
SJS425420	None				D	Yellow	SJS425420	SJS425410
SJS425421	25	22	M39029/58-360					



25 Position, Size 22 Jamnut Receptacle

APCD P/N	# of Contacts	Contact Size	Contact P/N	Shell Size	Key	Color	P/N Marking	Mating
SJS425160	None			14	A	Black	SJS425160	SJS425110
SJS425161	25	22	M39029/58-360					
SJS425162	25	22	CNP831033		B	Green	SJS425260	SJS425210
SJS425260	None							
SJS425261	25	22	M39029/58-360		C	White	SJS425360	SJS425310
SJS425262	25	22	CNP831033					
SJS425360	None				D	Yellow	SJS425460	SJS425410
SJS425361	25	22	M39029/58-360					
SJS425362	25	22	CNP831033					
SJS425460	None							
SJS425461	25	22	M39029/58-360					
SJS425462	25	22	CNP831033					



Part Numbering-Push & Pull

Contact Size	Contact Qty	Shell Size	Key	Color	Plug P/N	Receptacle P/N
12	1	7	n/a	blue	SJS512100	SJS512200
12	1	7	n/a	red	SJS512110	SJS512210
16	1	6	n/a	blue	SJS716100	SJS716200
16	1	6	n/a	red	SJS716110	SJS716210
20	1	6	n/a	green	SJS720100	SJS720200
20	1	6	n/a	yellow	SJS720110	SJS720210
16	3	11	A	red	SJS816100	SJS816200
16	3	11	B	white	SJS816110	SJS816210
16	3	11	C	blue	SJS816120	SJS816220
20	3	8	A	red	SJS820100	SJS820200
20	3	8	B	white	SJS820110	SJS820210
20	3	8	C	blue	SJS820120	SJS820220

Part Numbering-Accessories

Shell Size	Strain Relief Single	Strain Relief Single 90°	Strain Relief Single 45°	Double Strain Relief	Double Side Tape Mount Cradle	Epoxy Mount Cradle	Screw Mount Cradle
5	SJSA55000	SJSA55100	SJSA55200	SJSA56000	SJS257000	SJS257000G	SJS257100
7	SJSA450350	SJSA75100	SJSA75200	SJSA76000	SJS883000	SJS883000G	SJS450250
8	SJSA85000	SJSA85100	SJSA85200	SJSA86000	SJS445000	SJS445000G	SJS450100
10	SJSA05000	SJSA05100	SJSA05200	SJSA06000	SJS991000	SJS991000G	SJSA02000
11					SJSA13000		SJSA12000
14	-	-	-	-	-		SJSA42000

Shell Size	Tube Mount Cradle	Single Side Tape Tube Mount Cradle	Double Side Tape Tube Mount Cradle	Dummy Flanges	Hard Protective Caps	Shielded Hard Protective Caps
5	SJSA5V0Y0	SJS5AV010	SJS5AV020		SJSA5B000	SJSA5B000P
7	SJSA7V0Y0	SJSA7V010	SJSA7V020	SJS830220D	SJSA7B000	SJSA7B000P
8	SJSA8V0Y0	SJSA8V010	SJSA8V020		SJSA8B000	SJSA8B000P
10	SJSA0V0Y0	SJSA0V010	SJSA0V020	SJS0AA730D	SJSA0B000	SJSA0B000P
11						SJS08RCAPM
14	-	-	-	-	-	SJS12RCAPM

Tooling Part Numbers

# of Positions	Contact Size	Shell Size	Key	Color	Part Numbers			
M39029/22-191	22	22	22	5	M22520/7-01	M22520/7-11	M81960/14-01	
			24	3				
			26	2				
M39029/22-192	20	20	20	7.5	M22520/7-01	M22520/7-12	M81969/14-10	
			22	5				
			24	3				
M39029/22-193	16	16	16	13	M22520/7-01	M22520/7-13	M81969/14-03	
			18	10				
			20	7.5				
M39029/22-605	12	12	12	23	M22520/1-01	M22520/1-16	M81969/16-03	
			14	17				
M39029/56-351	20	20	20	7.5	M22520/1-01	M22520/1-04 (Red)	M81969/8-05	M81969/8-06
			22	5	M22520/2-01	M22520/2-10	M81969/14-10	
			24	3	M22520/7-01	M22520/7-08		
M39029/56-352	16	16	16	13	M22520/1-01	M22520/1-04 (Blue)	M81969/8-07	M81969/8-08
			18	10	M22520/7-01	M22520/7-04	M81969/14-03	
			20	7.5				
M39029/56-353	12	12	12	23	M22520/1-01	M22520/1-04 (Yellow)	M81969/8-09	M81969/8-10
			14	17			M81969/14-04	
M39029/57-354	22	22D	22	5	M22520/2-01	M22520/2-06	M81969/8-01	M81969/8-02
			24	3				
			26	2	M22520/7-01	M22520/7-06	M81960/14-01	
			28	1.5				
M39029/57-357	20	20	20	7.5	M22520/1-01	M22520/1-04 (Red)	M81969/8-05	M81969/8-06
			22	5	M22520/2-01	M22520/2-10	M81969/14-10	
			24	3	M22520/7-01	M22520/7-08		
M39029/57-358	16	16	16	13	M22520/1-01	M22520/1-04 (Blue)	M81969/8-07	M81969/8-08
			18	10	M22520/7-01	M22520/7-04	M81969/14-03	
			20	7.5				
M39029/57-359	12	12	12	23	M22520/1-01	"M22520/1-04 (Yellow)"	M81969/8-09	M81969/8-10
			14	17			M81969/14-04	
M39029/58-360	22	22D	22	5	M22520/2-01	M22520/2-09	M81969/8-01	M81969/8-02
			24	3				
			26	2	M22520/7-01	M22520/7-07	M81969/14-01	
			28	1.5				
M39029/58-363	20	20	20	7.5	M22520/1-01	M22520/1-04 (Red)	M81969/8-05	M81969/8-06
			22	5	M22520/2-01	M22520/2-10	M81969/14-10	
			24	3	M22520/7-01	M22520/7-08		
M39029/58-364	16	16	16	13	M22520/1-01	M22520/1-04 (Blue)	M81969/8-07	M81969/8-08
			18	10	M22520/7-01	M22520/7-04	M81969/14-03	
			20	7.5				
M39029/58-365	12	12	12	23	M22520/1-01	"M22520/1-04 (Yellow)"	M81969/8-09	M81969/8-10
			14	17			M81969/14-04	

Wire Information

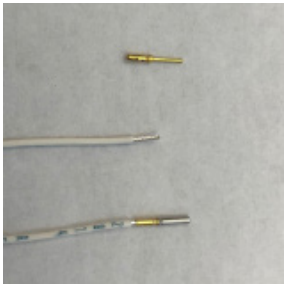
Contact Size	Wire Size	Insulation O.D	Stripping Length "A"
8	8-10 AWG	.124-.155 in	.470 in
12	12-14 AWG	.097-.142 in	.188 in
16	16-20 AWG	.065-.109 in	.188 in
20	20-24 AWG	.040-.083 in	.188 in
22D	22-28 AWG	.030-.055 in	.125 in

Crimp Tool Setup

1. Select proper crimp tool and positioner based on contact size from the tables.
2. Assemble positioner on crimp tool and turn to lock it in place.
3. Use instructions on the positioner to set the dial on the crimp tool.

Crimp Wire To Contacts

1. Place the wire into the contact. All wire strands should be in crimp barrel and wire must be visible through inspection hole.
2. Place the contact fully into the crimp tool so the contact shoulder is against the crimp tool shoulder.
3. Squeeze the handles on the crimp tool together firmly until the ratchet disengages. The tool will not release until the crimp cycle is complete.
4. Check that the wire is still visible through the inspection hole in the contact.



Step One



Step One



Step Three



Step Four

Wire Preparation

Strip wire to length shown in chart. Do not cut or nick wire strands. Twist wire strands back to form a firm bundle

Contact Size	Wire Size	Insulation O.D	Stripping Length "A"
22D	22-28 AWG	.030-.055 in	.118-.157 in

Crimp Tool

Part Number: 10-745003-22D or DMC GMT220





72 Cherry Hill Dr. | Beverly, MA.
www.amphenolpcd.com