



# GLADIATOR

**NEW**

Magnetic, low-profile, self-aligning connector designed for soldier worn applications.

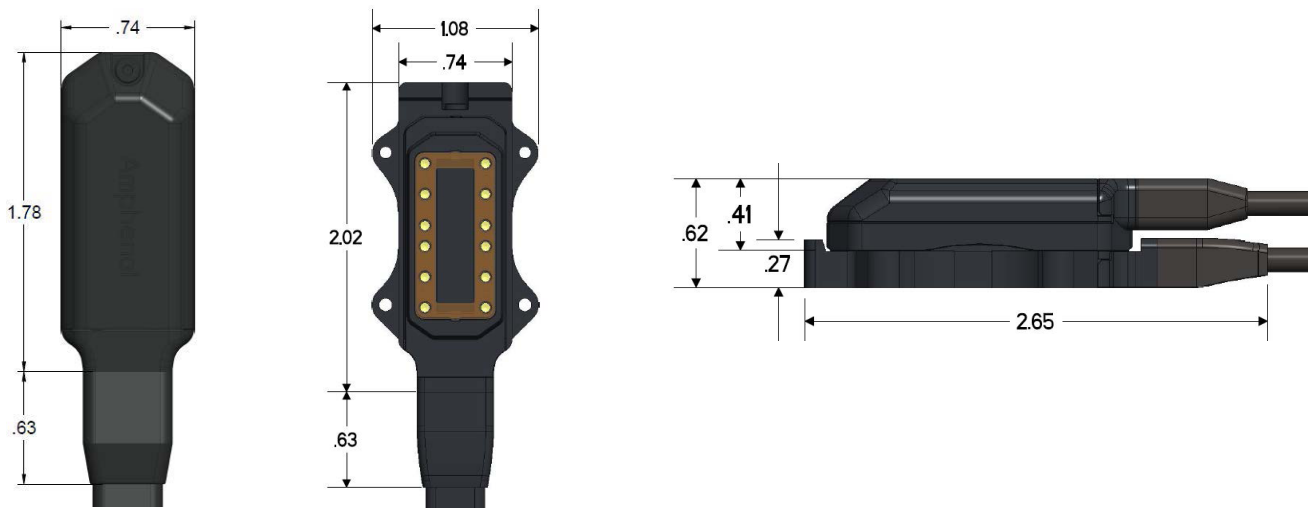


# GLADIATOR

## Overview

APCD's newest, small, lightweight, ultra flat connector designed for soldier worn applications, including data sharing, battery charging, and peripheral connectivity. Plugs and receptacles fit through MOLLE pack straps. Receptacles are designed for panel mounting, clipped into MOLLE, or sewn into place.

- Magnetic mating orients and aligns connectors for fast, no-look mating.
- Factory adjustable engage/disengage forces to meet customer specific requirements
- Spring pins (spring probes) maintain contact through shock and vibration.
- Fluorosilicone gasket interfacial seal that seals individual contacts and the plug to receptacle.
- May be supplied cabled (flat or round) or self-terminated.
- Power and Ground Pogo pins designed for 5A continuous current
- Supports USB2.0 Data, with 90  $\Omega$  impedance
- First mate, last break, pogo contact available for ground contacts
- \*Coming Soon: Multi Angle Release Gladiator with E-textile termination capability



## Pin Assignment

Pin	Specifications	Wire AWG
1	40 V @ 5amps	22 AWG
2	40 V @ 5amps	22 AWG
3	USB2.0 Data +	28 AWG
4	USB2.0 Data -	28 AWG
5	40 V @ 5amps	22 AWG
6	40 V @ 5amps	22 AWG

## Specifications

Material	6061-T6 Aluminum
Current Rating	5A continuous
Dielectric Withstanding Voltage	120VDC
Insulation Resistance	5000M $\Omega$ at 500VDC
Operating Temperature	-50 C° to + 100 C°
Shell to Shell Resistance	< 4 m $\Omega$
Mating Durability	5000+ Mating Cycles
De-Mate Force	3.0 to 5.0 lbs
Mechanical Vibration	MIL-STD-883 Method 2007.3 ; Test Condition A
Sealing	IP68 2m for 2hrs
Salt Spray	96 hrs
CBRN	Allows for NBC decontamination

\* Subject to change pending completion of validation test

# GLADIATOR

## How to Order

GLD X XX X X XX X XX - XXX

**SERIES** \_\_\_\_\_

GLD: Standard Gladiator Connector Kit  
MCG: Cable Assembly/Pig tail

**CONNECTOR TYPE** \_\_\_\_\_

P: Inline Plug  
R: Inline Receptacle  
D: Double-ended Plug & Receptacle

**NO. OF POSITIONS** \_\_\_\_\_

06: 6 positions  
12 : 12 positions (Mate style S only)

**MATE STYLE** \_\_\_\_\_

M: Reversible 180° mate option  
S: Single Mate Direction Keyed Forward  
W: Single Mate Direction Keyed Reverse

**MATE OPTION** \_\_\_\_\_

1: Magnet  
2: Steel plate (Receptacle only)

**SIGNAL TYPE** \_\_\_\_\_

D: USB 3 Compatible  
M: USB 2.0 Compatible

**TERMINATION FINISH** \_\_\_\_\_

1: RoHS  
2: Leaded solder

**SHELL FINISH** \_\_\_\_\_

B: Black Nickel  
R: Ruthenium

**CUSTOM COLORIZATION/TEXTURE** \_\_\_\_\_

00: Standard

**CABLE LENGTH** \_\_\_\_\_

018: 18 inches (1.5 feet)  
024: 24 inches (2 feet)  
036: 36 inches (3 feet)  
Leave blank if connector only

\*Contact [cable\\_sales@amphenolpcd.com](mailto:cable_sales@amphenolpcd.com) for custom solutions