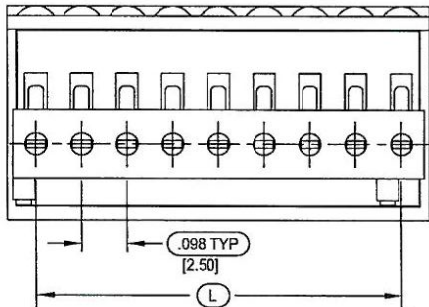
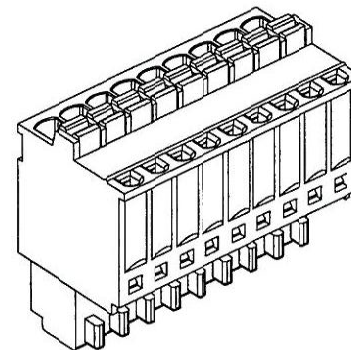
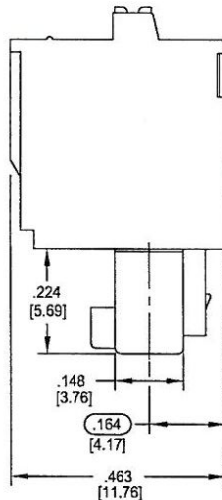
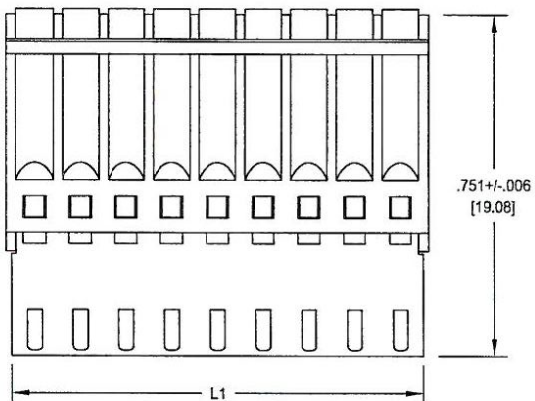


SCFC02110_C

REV	ECN	DESCRIPTION	APP'D
-	6766	RELEASE	<i>RJC 12/11</i>



P/N	POS	DIM L (±.006/IN)	DIM L1 (±.006/IN)
SCFC0211X	2	.098 (2.50)	.197 (5.00)
SCFC0311X	3	.197 (5.00)	.295 (7.50)
SCFC0411X	4	.295 (7.50)	.394 (10.00)
SCFC0511X	5	.394 (10.00)	.492 (12.50)
SCFC0611X	6	.492 (12.50)	.591 (15.00)
SCFC0711X	7	.591 (15.00)	.689 (17.50)
SCFC0811X	8	.689 (17.50)	.787 (20.00)
SCFC0911X	9	.787 (20.00)	.886 (22.50)
X COLOR	SCFC-011X	10	.886 (22.50)
0 BLACK	SCFC-111X	11	.984 (25.00)
G GREEN	SCFC-211X	12	1.083 (27.50)

SCFC02110_C

INSTALLATION RECOMMENDATIONS:

WIRE RANGE: AWG #20-28, STRANDED OR SOLID
 WIRE STRIP LENGTH: AWG #20-28: .394" (10mm)

MATERIALS:

HOUSING: PA, UL94 V-0
 CONTACT: PHOSPHOR BRONZE, MATTE TIN/GOLDEN FINISH
 SCREW: STEEL, NICKEL FINISH
 SPRING: STAINLESS STEEL

MAX OPERATING TEMP: 105°C

ANSI Y14.5M UNITS: INCH (MM) PROJ: FILE	TOLERANCES .XX ±0.01 .XXX ±0.005 ANGLES ±0.5°	PROJECTION 	Amphenol Pcd		TITLE SCFC SERIES SPRING CLAMP STYLE ASSY .098INCH PITCH		
			ENGR Ricky Zhang 11-Dec-09	CHKD	SIZE B	DWG NO. SCFC02110_C	REV -
ORIGINAL NOT FOR CUSTOMER DISTRIBUTION	THIS DOCUMENT CONTAINS PROPRIETARY INFORMATION WHICH IS THE CONFIDENTIAL PROPERTY OF AMPHENOL PCD INC., BEVERLY, MA			APPD. <i>RJC 12/11</i>	CODE: 58982	SCALE: 4:1	SHEET 1 OF 1



CURRENT - 4A
 VOLTAGE - 125V
 U.L. FILE NO. E83421



CURRENT - 4A
 VOLTAGE - 125V
 CSA FILE NO. LR69703

SCFC02110_C