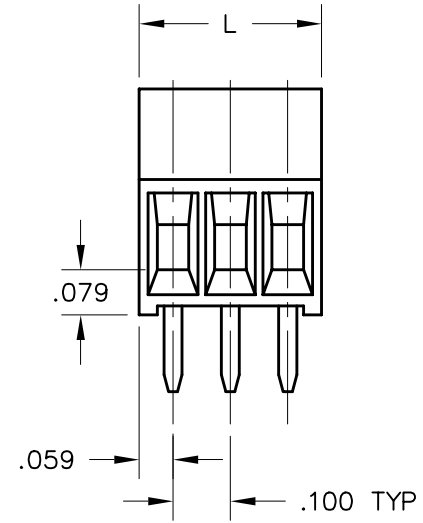
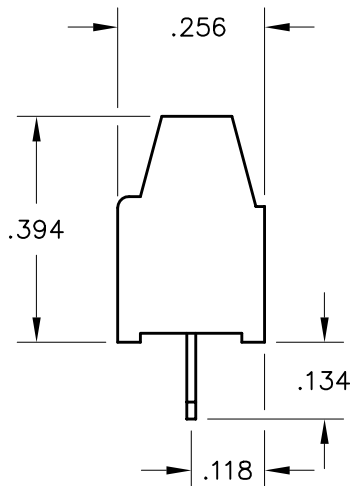


REV	ECN	APPD
-	4785	

$$L = (.100 \times \text{POSITIONS}) + .018$$

ESDMXX100

POSITIONS:
02-12



RU
RATINGS
CURRENT - 10A
VOLTAGE - 150V
U.L. FILE NO.

SF
RATINGS
CURRENT - 10A
VOLTAGE - 150V
CSA FILE NO.

DIN VDE 0627:1986
DIN VDE 0110-1:1989
EN 60947-1:1991
EN 60947-7-1:1992

CURRENT - 6A
VOLTAGE - 125V
TUV FILE NO.

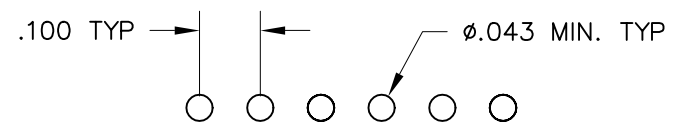
INSTALLATION RECOMMENDATIONS

WIRE RANGE: 16-30 AWG
WIRE STRIP LENGTH: .160-.200
TIGHTENING TORQUE: 1.15 LB-IN.

MATERIALS

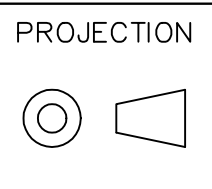
HOUSING: POLYAMIDE 6/6, COLOR: BLACK
CONTACT: COPPER ALLOY, TIN PLATED
SCREW / CAGE CLAMP: COPPER ALLOY, NICKEL PLATED

OPERATING TEMPERATURE RANGE: -40°C TO 110°C
RECOMMENDED PCB THICKNESS: .094 MAX

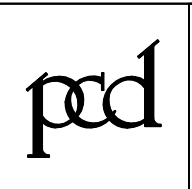


DIMENSIONS
ANSI Y14.5M
UNITS: INCHES
ACAD FILE

TOLERANCES
.XX ±.01
.XXX ±.005
ANGLES ±2°



SPECIFICATION DRAWING
ENGR
B. JAWORSKI 12/01/01



TITLE
ESDM TERMINAL BLOCK
HORIZONTAL
.100 [2.54mm] PITCH

ORIGINAL
STAMPED
IN RED

THIS DOCUMENT CONTAINS
PROPRIETARY INFORMATION WHICH
IS THE CONFIDENTIAL PROPERTY
OF PCD, INC. PEABODY, MA, USA

CHKD
APPD

SIZE A DWG NO. ESDM02100 REV -
CODE: 58982 SCALE: NONE SHEET 1 OF 1