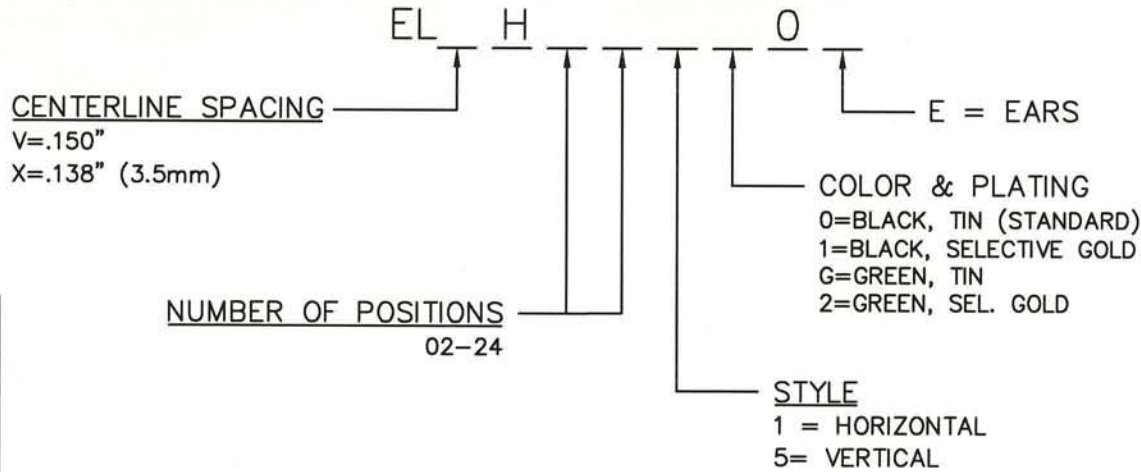


# ELVH/ELXH SERIES PART NUMBERING SCHEME

REV	ECN	APPD
-	3624	JEC 1-18-99
A	3729	JEC 4/12/99
B	3865	JEC 11-9-99
C	3943	JEC 3/24/99
D	4578	IQ 9/21/01
E	4661	IQ 11/26/01
F	4783	IQ 3/7/02
G	5742	12N 12/28/05



**UL**  
RATINGS  
CURRENT - 12A  
VOLTAGE - 300V  
U.L. FILE NO. E83421

**SP**  
RATINGS  
CURRENT - 12A  
VOLTAGE - 300V  
CSA FILE NO. LR69703

DIN VDE 0627:1986  
DIN VDE 0110-1:1989  
EN 60947-1:1991  
EN 60947-7-1:1992

CURRENT - 12A  
VOLTAGE - 300 V  
TUV FILE NO. 20396

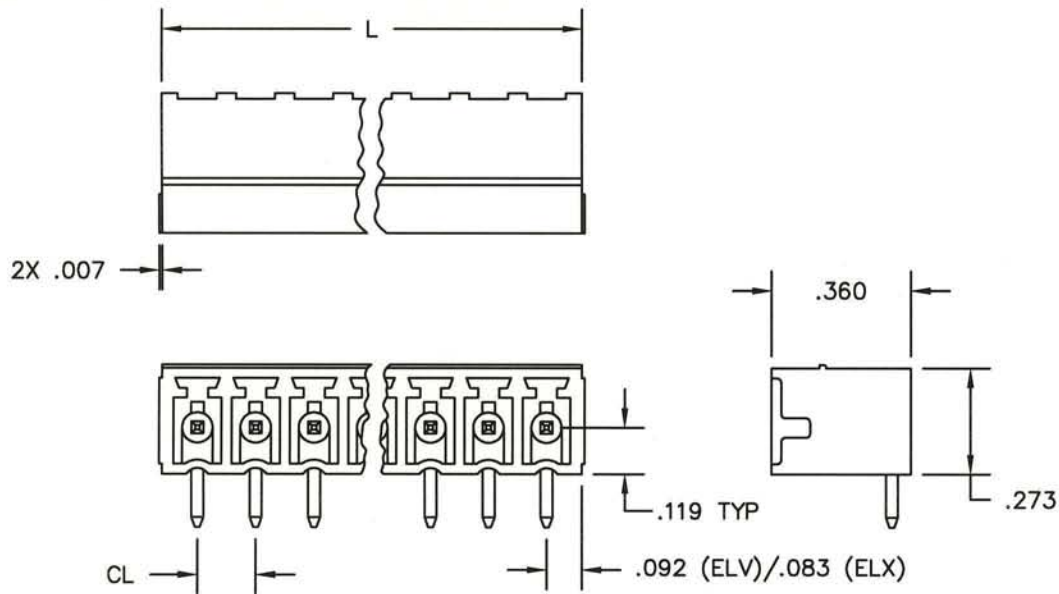
- CONSULT PCD FOR PART NO. AND AVAILABILITY OF FOLLOWING OPTIONS:
- \* CUSTOM COLORS
  - \* CUSTOM MARKING
  - \* CUSTOM KEYING
  - \* SELECTIVE CONTACT LOADING

**MATERIALS:**  
HOUSING: PA 4/6, UL 94 V-0  
CONTACT: BRASS, OPTIONAL FINISH

MAX OPERATING TEMPERATURE: 125°C  
MAX INTRUSIVE SOLDER TEMP: 250°C

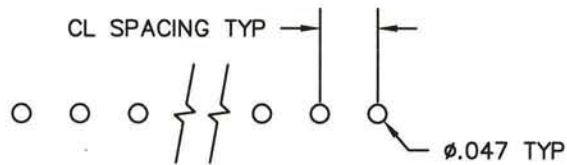
<b>DIMENSIONS</b> ANSI Y14.5M UNITS: INCHES ACAD FILE	<b>TOLERANCES</b> .XX ±.01 .XXX ±.005 ANGLES ±2°	<b>PROJECTION</b> 	<b>Amphenol Pcd</b> SPECIFICATION DRAWING		<b>TITLE</b> ELV/ELX SERIES HEADER		
			ENGR I. QUINN 12/21/98				
ORIGINAL STAMPED IN RED	THIS DOCUMENT CONTAINS PROPRIETARY INFORMATION WHICH IS THE CONFIDENTIAL PROPERTY OF AMPHENOL PCD INC. PEABODY, MA		CHKD J. CAHALY 1/18/99		SIZE A	DWG NO. ELVH02100	REV G
			APPD J. CAHALY 1/18/99				

STANDARD HEADER  
HORIZONTAL STYLE SHOWN



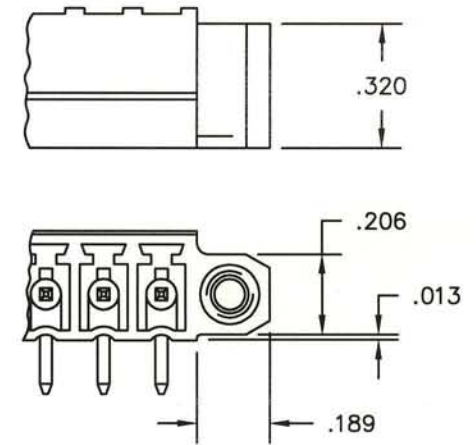
ELV: $L = (\text{NUM OF POS} \times .150) + .032''$
ELX: $L = (\text{NUM OF POS} \times .138) + .028''$

PRINTED CIRCUIT BOARD CONFIGURATION

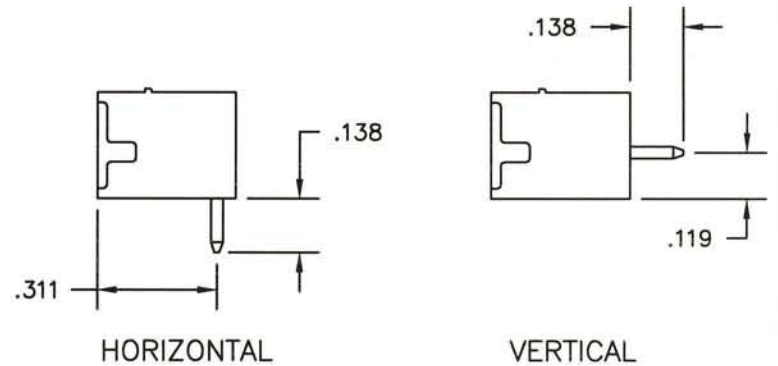


RECOMMENDED PCB THICKNESS: .062±.008

EAR CONFIGURATION



STYLE



SIZE	DWG NO.	DOC REV
A	ELVH02100	G
CODE: 58982	SCALE: NONE	SHEET 2 OF 2