

STRAIGHT; SPIN COUPLING

Connector Group L

D38999 Series III & IV

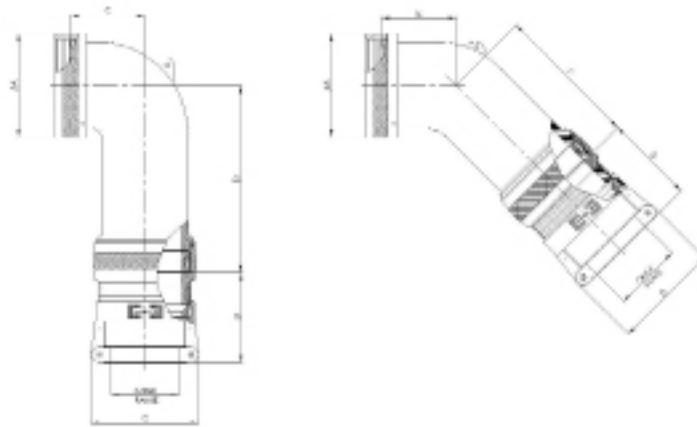
TABLE A																	
Accessory Shell Size	Clamp Size	Length	Connector Shell Size	Cable Range				A Ø Max.		B Max.		X Max.		Y Max.			
				Min. Wire		Max. Wire		inch	mm	inch	mm	inch	mm	inch	mm		
				inch	mm	inch	mm										
23	07	STD.	23 / H	0.75	19.05	0.88	22.23	1.65	41.91	1.53	38.86	1.50	38.10	1.50	38.10		
		A								2.53	64.26						
		B								3.53	89.66						
		C								4.53	115.06						
	08	STD.		0.88	22.23	1.00	25.40			1.53	38.86	1.63	41.40	2.53	64.26	1.65	42.91
		A								3.53	89.66						
		B								4.53	115.06						
		C								1.53	38.86						
	09	STD.		1.00	25.40	1.13	28.58			2.53	64.26	1.63	41.40	3.53	89.66	1.75	44.45
		A								4.53	115.06						
		B								1.53	38.86						
		C								2.53	64.26						
25	04	STD.	25 / J	0.38	9.53	0.50	12.70	1.85	46.99	1.53	38.86	1.25	31.75	1.20	30.48		
		A								2.53	64.26						
		B								3.53	89.66						
		C								4.53	115.06						
	05	STD.		0.50	12.70	0.63	15.88			1.53	38.86	1.31	33.27	2.53	64.26	1.25	31.75
		A								3.53	89.66						
		B								4.53	115.06						
		C								1.53	38.86						
	06	STD.		0.63	15.88	0.75	19.05			2.53	64.26	1.38	35.05	3.53	89.66	1.40	35.56
		A								4.53	115.06						
		B								1.53	38.86						
		C								2.53	64.26						
	07	STD.		0.75	19.05	0.88	22.23			1.53	38.86	1.50	38.10	2.53	64.26	1.50	38.10
		A								3.53	89.66						
		B								4.53	115.06						
		C								1.53	38.86						
	08	STD.		0.88	22.23	1.00	25.40			2.53	64.26	1.63	41.40	3.53	89.66	1.65	41.91
		A								4.53	115.06						
		B								1.53	38.86						
		C								2.53	64.26						
	09	STD.		1.00	25.40	1.13	28.58			1.53	38.86	1.63	41.40	2.53	64.26	1.75	44.45
		A								3.53	89.66						
		B								4.53	115.06						
		C								1.53	38.86						
10	STD.	1.13	28.58	1.25	31.75	2.53	64.26	1.63	41.40	3.53	89.66	1.90	48.26				
	A					4.53	115.06										
	B					1.53	38.86										
	C					2.53	64.26										

## 90° & 45°; SPIN COUPLING

Connector Group K

D38999 Series I & II

M85049	/76	10	W	02
SERIES	SLASH #	ACCESSORY SHELL SIZE	FINISH	CLAMP SIZE
	76: 90° 77: 45°	Table A	N: Electroless Nickel W: Cadmium Olive Drab Z: Black Zinc Nickel	Table A



Accessory Shell Size	Clamp Size	Connector Shell Size	Cable Range				A Ø Max.		B. Max		C Max.		D Max.		E Max.		Y Max.	
			Min.		Max.		inch	mm	inch	mm	inch	mm	inch	mm	inch	mm	inch	mm
			inch	mm	inch	mm												
08	01	8 / 9	0.06	1.57	0.13	3.18	0.75	19.05	0.46	11.68	3.15	80.01	0.69	17.53	3.46	87.88	0.80	20.32
	02		0.13	3.18	0.25	6.35											1.00	25.40
10	01	10 / 11	0.06	1.57	0.13	3.18	0.85	21.59	0.52	13.21	3.21	81.53	0.78	19.81	3.58	90.93	0.80	20.32
	02		0.13	3.18	0.25	6.35											1.00	25.40
	03		0.25	6.35	0.38	9.53											1.10	27.94
12	02	12 / 13	0.13	3.18	0.25	6.35	1.00	25.40	0.58	14.73	3.27	83.06	0.80	20.32	3.60	91.44	1.00	25.40
	03		0.25	6.35	0.38	9.53											1.10	27.94
	04		0.38	9.53	0.50	12.70											1.20	30.48
14	02	14 / 15	0.13	3.18	0.25	6.35	1.15	29.21	0.65	16.51	3.36	85.34	0.88	22.35	3.67	93.22	1.00	25.40
	03		0.25	6.35	0.38	9.53											1.10	27.94
	04		0.38	9.53	0.50	12.70											1.20	30.48
	05		0.50	12.70	0.63	15.88											1.25	31.75
16	02	16 / 17	0.13	3.18	0.25	6.35	1.25	31.75	0.74	18.80	3.47	88.14	0.93	23.62	3.76	95.50	1.00	25.40
	03		0.25	6.35	0.38	9.53											1.10	27.94
	04		0.38	9.53	0.50	12.70											1.20	30.48
	05		0.50	12.70	0.63	15.88											1.25	31.75
18	06	18 / 19	0.63	15.88	0.75	19.05	1.40	35.56	0.93	23.62	3.66	92.96	1.01	25.65	3.93	99.82	1.40	35.56
	03		0.25	6.35	0.38	9.53											1.10	27.94
	04		0.38	9.53	0.50	12.70											1.20	30.48
	05		0.50	12.70	0.63	15.88											1.25	31.75
	07		0.75	19.05	0.88	22.23											1.50	38.10

## 90° & 45°; SPIN COUPLING

Connector Group K

38999 Series I & Series II

TABLE A																		
Accessory Shell Size	Clamp Size	Connector Shell Size	Cable Range				A Ø Max.		B. Max		C Max.		D Max.		E Max.		Y Max.	
			Min.		Max.		inch	mm	inch	mm	inch	mm	inch	mm	inch	mm	inch	mm
			inch	mm	inch	mm												
20	03	20 / 21	0.25	6.35	0.38	9.53	1.55	39.37	0.93	23.62	3.66	92.96	1.06	26.92	3.93	99.82	1.10	27.94
	04		0.38	9.53	0.50	12.70											1.20	30.48
	05		0.50	12.70	0.63	15.88											1.25	31.75
	06		0.63	15.88	0.75	19.05											1.40	35.56
	07		0.75	19.05	0.88	22.23											1.50	38.10
	08		0.88	22.23	1.00	25.40											1.65	41.91
22	03	22 / 23	0.25	6.35	0.38	9.53	1.65	41.91	1.02	25.91	3.81	96.77	1.17	29.72	4.04	102.62	1.10	27.94
	04		0.38	9.53	0.50	12.70											1.20	30.48
	05		0.50	12.70	0.63	15.88											1.25	31.75
	06		0.63	15.88	0.75	19.05											1.40	35.56
	07		0.75	19.05	0.88	22.23											1.50	38.10
	08		0.88	22.23	1.00	25.40											1.65	41.91
24	04	24 / 25	0.38	9.53	0.50	12.70	1.85	46.99	1.02	25.91	3.81	96.77	1.18	29.97	4.04	102.62	1.20	30.48
	05		0.50	12.70	0.63	15.88											1.25	31.75
	06		0.63	15.88	0.75	19.05											1.40	35.56
	07		0.75	19.05	0.88	22.23											1.50	38.10
	08		0.88	22.23	1.00	25.40											1.65	41.91
	09		1.00	25.40	1.13	28.58											1.75	44.45
	10		1.13	28.58	1.25	31.75	1.90	48.26										

## 90° & 45°; SPIN COUPLING

Connector Group L

D38999 Series III & IV

M85049	/79	11	W	03
SERIES	SLASH #	ACCESSORY SHELL SIZE	FINISH	CLAMP SIZE
	79: 90° 78: 45°	Table A	N: Electroless Nickel W: Cadmium Olive Drab Z: Black Zinc Nickel	Table A

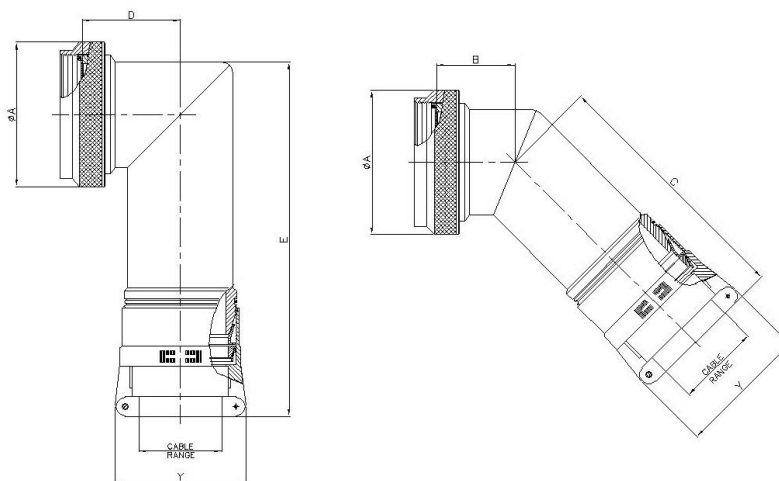


TABLE A

Accessory Shell Size	Clamp Size	Connector Shell Size	Cable Range				A Ø Max.		B. Max		C Max.		D Max.		E Max.		Y Max.	
			Min.		Max.		inch	mm	inch	mm	inch	mm	inch	mm	inch	mm	inch	mm
			inch	mm	inch	mm												
09	01	09 / A	0.06	1.57	0.13	3.18	0.75	19.05	0.46	11.68	3.15	80.01	0.69	17.53	3.46	87.88	0.80	20.32
	02		0.13	3.18	0.25	6.35											1.00	25.40
11	01	11 / B	0.06	1.57	0.13	3.18	0.85	21.59	0.52	13.21	3.21	81.53	0.78	19.81	3.58	90.93	0.80	20.32
	02		0.13	3.18	0.25	6.35											1.00	25.40
	03		0.25	6.35	0.38	9.53											1.10	27.94
13	02	13 / C	0.13	3.18	0.25	6.35	1.00	25.40	0.58	14.73	3.27	83.06	0.80	20.32	3.60	91.44	1.00	25.40
	03		0.25	6.35	0.38	9.53											1.10	27.94
	04		0.38	9.53	0.50	12.70											1.20	30.48
15	02	15 / D	0.13	3.18	0.25	6.35	1.15	29.21	0.65	16.51	3.36	85.34	0.88	22.35	3.67	93.22	1.00	25.40
	03		0.25	6.35	0.38	9.53											1.10	27.94
	04		0.38	9.53	0.50	12.70											1.20	30.48
	05		0.50	12.70	0.63	15.88											1.25	31.75
17	02	17 / E	0.13	3.18	0.25	6.35	1.25	31.75	0.74	18.80	3.47	88.14	0.93	23.62	3.76	95.50	1.00	25.40
	03		0.25	6.35	0.38	9.53											1.10	27.94
	04		0.38	9.53	0.50	12.70											1.20	30.48
	05		0.50	12.70	0.63	15.88											1.25	31.75
	06		0.63	15.88	0.75	19.05											1.40	35.56

## 90° & 45°; SPIN COUPLING

Connector Group L

D38999 Series III & IV

TABLE A																		
Accessory Shell Size	Clamp Size	Connector Shell Size	Cable Range				A Ø Max.		B. Max		C Max.		D Max.		E Max.		Y Max.	
			Min.		Max.		inch	mm	inch	mm	inch	mm	inch	mm	inch	mm	inch	mm
			inch	mm	inch	mm												
19	03	19 / F	0.25	6.35	0.38	9.53	1.40	35.56	0.93	23.62	3.66	92.96	1.01	25.65	3.93	99.82	1.10	27.94
	04		0.38	9.53	0.50	12.70											1.20	30.48
	05		0.50	12.70	0.63	15.88											1.25	31.75
	06		0.63	15.88	0.75	19.05											1.40	35.56
	07		0.75	19.05	0.88	22.23											1.50	38.10
21	03	21 / G	0.25	6.35	0.38	9.53	1.55	39.37	0.93	23.62	3.66	92.96	1.06	26.92	3.93	99.82	1.10	27.94
	04		0.38	9.53	0.50	12.70											1.20	30.48
	05		0.50	12.70	0.63	15.88											1.25	31.75
	06		0.63	15.88	0.75	19.05											1.40	35.56
	07		0.75	19.05	0.88	22.23											1.50	38.10
	08		0.88	22.23	1.00	25.40											1.65	41.91
23	03	23 / H	0.25	6.35	0.38	9.53	1.65	41.91	1.02	25.91	3.81	96.77	1.17	29.72	4.04	102.62	1.10	27.94
	04		0.38	9.53	0.50	12.70											1.20	30.48
	05		0.50	12.70	0.63	15.88											1.25	31.75
	06		0.63	15.88	0.75	19.05											1.40	35.56
	07		0.75	19.05	0.88	22.23											1.50	38.10
	08		0.88	22.23	1.00	25.40											1.65	41.91
	09		1.00	25.40	1.13	28.58											1.75	44.45
25	04	25 / J	0.38	9.53	0.50	12.70	1.85	46.99	1.02	25.91	3.81	96.77	1.18	29.97	4.04	102.62	1.20	30.48
	05		0.50	12.70	0.63	15.88											1.25	31.75
	06		0.63	15.88	0.75	19.05											1.40	35.56
	07		0.75	19.05	0.88	22.23											1.50	38.10
	08		0.88	22.23	1.00	25.40											1.65	41.91
	09		1.00	25.40	1.13	28.58											1.75	44.45
	10		1.13	28.58	1.25	31.75											1.90	48.26