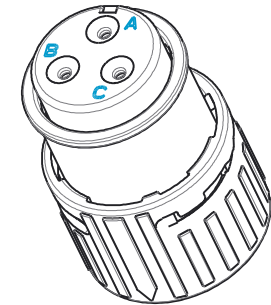
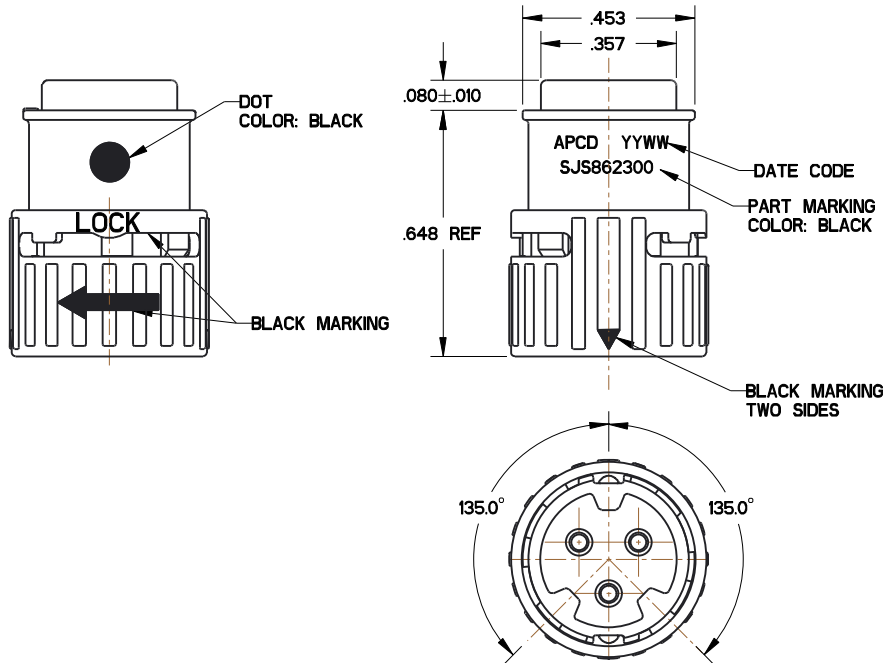
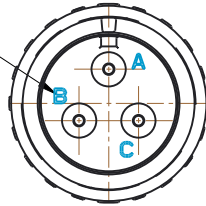


REV	ECN	APP'D
1		

GROMMET MARKING
.040 HIGH CHARACTERS
COLOR: CONTRASTING



SJS862300

SJS862300

APCD P/N	CONTACTS SUPPLIED	HOUSING COLOR	PART MARKING
SJS862300	(3) M39029/57-357	WHITE	SJS862300
SJS862301	NONE		

- NOTES:**
- MATERIALS:**
HOUSING: PA6/6, COLOR: WHITE
CONTACT RETAINER: STAINLESS STEEL
GROMMET: SILICONE RUBBER PER A-A-59588
 - MATING CONTACTS: SEE TABLE 1
 - WHEN ASSEMBLED, "LOCK" AND ARROW MARKINGS MUST ALIGN WITH WHITE DOT
 - PART MATES WITH SJS862400/401/450/451
 - WEIGHT: 2.2 GRAMS
 - SUPPLIED WITH DUST CAP.

DIMENSIONS ANSI Y14.5M UNITS: INCHES Pro/E FILE	TOLERANCES .XX ±0.01 .XXX ±0.005 ANGLES ±2.0°	PROJECTION 	Amphenol Pcd <i>SPECIFICATION DRAWING</i>		TITLE SJS, PLUG 3 POSITION, SIZE 20 SHELL SIZE 7		
			ENGR TONY.CHEN	06-Dec-13	SIZE B	DWG NO. SJS862300_CE	REV 1
ORIGINAL	THIS DOCUMENT CONTAINS PROPRIETARY INFORMATION WHICH IS THE CONFIDENTIAL PROPERTY OF AMPHENOL PCD INC., BEVERLY, MA		CHKD	APPD	CODE: 58982	SCALE: 3:1	SHEET 1 OF 1