

Product Update | Amphenol Pcd

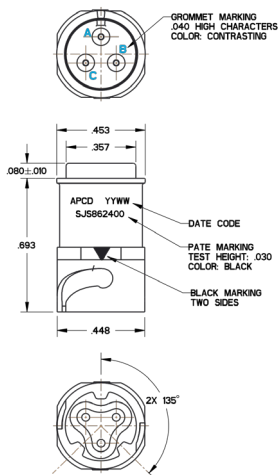
Luminus Series Shell Size 7: 3 Pin, Size 20



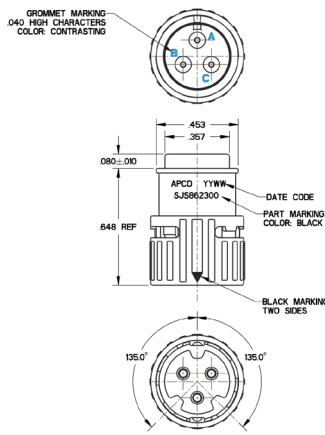
Amphenol Pcd is pleased to introduce our first size 20 wire gauge Luminus configuration, the SJS862300/400/450. The SJS862300/400/450 is a 3 contact configuration that accepts the M39029/58-363 and /57-357 contacts. M39029/58-363 and /57-357 contacts are nominally rated for 7.5a per contact, enabling Luminus to be used in applications with higher current requirements. The -363 and -357 contacts also accept wire gages from 20 to 24, allowing the SJS862300/400/450 to act as a bridge between 16 gauge wire harnesses and 22 gauge wire harnesses where needed.

Available Immediately

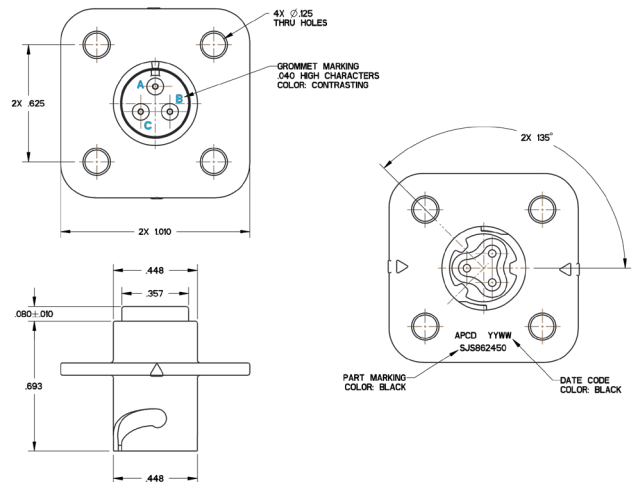
SJS862400 Receptacle



SJS862300 Plug



SJS862450 Square Flange



(*Specifications on back)

John Whittaker

jwhittaker@amphenolpcd.com
Office: 978.624.3447
Mobile: 978.882.3609

Hilary Juntwait

hjuntwait@amphenolpcd.com
Office: 978.624.3459



Materials & Specifications

	Twist & Lock			
Materials (Custom Material Available)	Insulator Body: Polyamide 6/6 (Nylon)	Thermal Shock	-65°C to 200°C	
	Grommet: Silicone Rubber		Vibration	30G Sinusoidal; 43.96G Random
	Contact Retainer: Stainless Steel			Shock
	Contacts: Copper Alloy Gold Plated		Salt Spray	
Temperature Range	-65°C to 125°C	Humidity		10 Days @ 25°C to 65°C, 90% - 95% RH
Temperature Life	500 hours @ 85°C		Fluid Immersion	Lubricating Oil per Mil-Prf-7808
Insulation	5000 MΩ Min. @ 500 VDC	Cleaning Compound per Mil-Prf-87937, Alkaline Base		
Resistance		Isopropyl Alcohol & Mineral Spirit Solution		
Dielectric Withstanding	1500 VAC, 60 Hz @ Sea Level, 1ma	Skydrol Hydraulic Fluid		
	300 VAC, 60 Hz @ 70,000 ft, 2 ma	Hydraulic Fluids per MIL-PRF-83282 MIL-PRF-87257		
	300 VAC, 60 Hz @ 100,000 ft, 2 ma	Ethylene Glycol		
Durability	500 mating cycles	Propylene Glycol		
Altitude Immersion	5% salt solution	Aviation Jet A		
	5000Mohms @ 1500 VAC, sea level	Seal Rating	IP67	
	5000Mohms @ 300 VAC, 70k ft		UL94, V0.	
	5000Mohms @ 300 VAC, 100k ft	Flammability	DOTG section 26.6.2 & 26.6.3	
Temperature Cycling	5(1) Hour Cycles: -65°C to 125°C		FAR Part 25 App F Part I	
		RoHS & REACH Compliance	Yes	

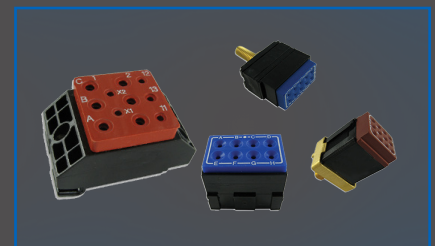
Related Products | Amphenol Pcd



Rayzor Series
NEW



Pegasus Series
NEW



Relay Sockets & Junction Modules