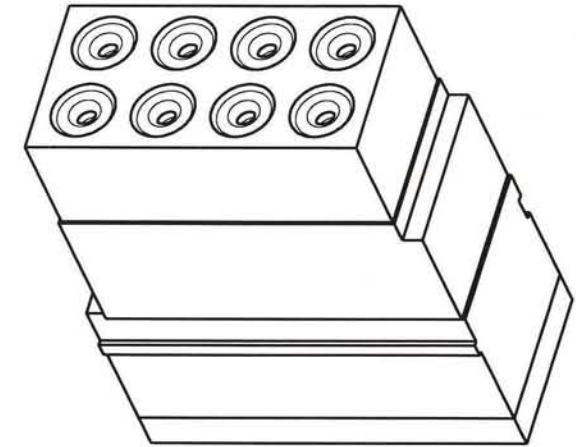
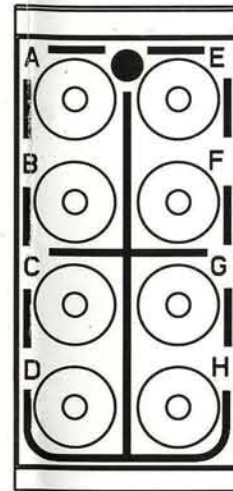
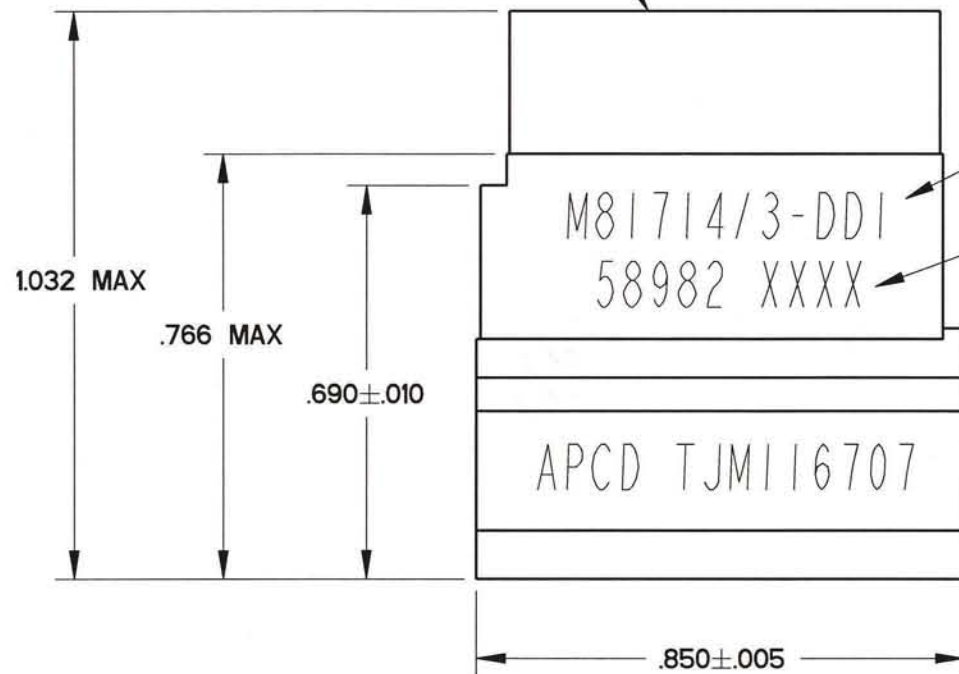


REV	ECN	APP'D
P	2451	JR 08/15/95
Q	5569	JT 1/4/05
R	5748	JT 12/4/05



GROMMET



WHITE MARKING
.08 HT

DATE
CODE

HOUSING

.351^{+0.008}
-.000

.350^{+0.000}
-.008

.016 ± .002

.011 ± .002

.390 ± .005

NOTES

1. PERFORMANCE:

- A) MEETS PERFORMANCE AND ENVIRONMENTAL REQUIREMENTS MIL-T-81714. MILITARY QUALIFIED
- B) MODULES ARE TO BE MOUNTED INTO RACK ASSEMBLY M81714/5 OR /16 OR COMMERCIAL EQUIVALENT.
- C) DIELECTRIC WITHSTANDING VOLTAGE: 1500 VRMS AT SEA LEVEL, 200 VRMS AT 100,000 FEET.
- D) OPERATING TEMPERATURE: -65 °C TO 200 °C.
- E) CURRENT RATING: 13 AMPS

2. MATERIALS:

- A) HOUSING - POLYETHERIMIDE, COLOR: BLACK.
- B) GROMMET - SILICONE ELASTOMER, COLOR: BLUE.
- C) INTERNAL CONTACTS - COPPER ALLOY, GOLD PLATED.
- D) CONTACT RETAINERS - STAINLESS STEEL.

APCD P/N	SUPPLIED		MARKING	
	PINS	PLUGS	APCD QPL NO.	MIL NO.
TJM116607	----	----	TJM116707	M81714/3-DD1
TJM116707	9	2		

DIMENSIONS ANSI Y14.5M UNITS: INCHES Pro/E FILE	TOLERANCES .XX ±0.01 .XXX ±0.008 ANGLES ±10°	PROJECTION 	Amphenol Pcd SPECIFICATION DRAWING ENGR S. STONE 12/28/03		TITLE TERMINAL JUNCTION MODULE SZ-16 FEEDBACK, D1 BUS		
			ORIGINAL 	THIS DOCUMENT CONTAINS PROPRIETARY INFORMATION WHICH IS THE CONFIDENTIAL PROPERTY OF AMPHENOL PCD INC., FEABODY, MA		CHKD APPD J. RUTKOWSKI 08/15/95	SIZE B
			CODE: 58982	SCALE: 3:1	SHEET 1 OF 1		

TJM116607

TJM116607