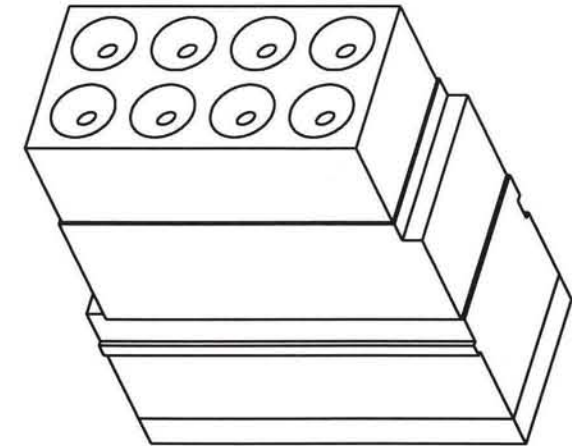
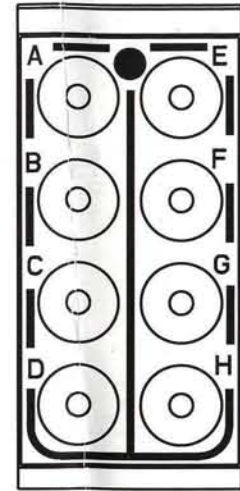
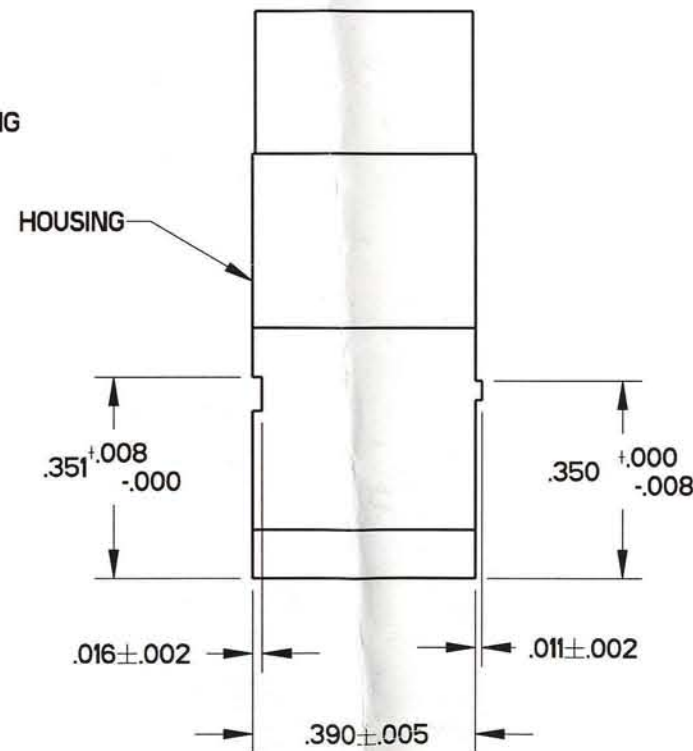
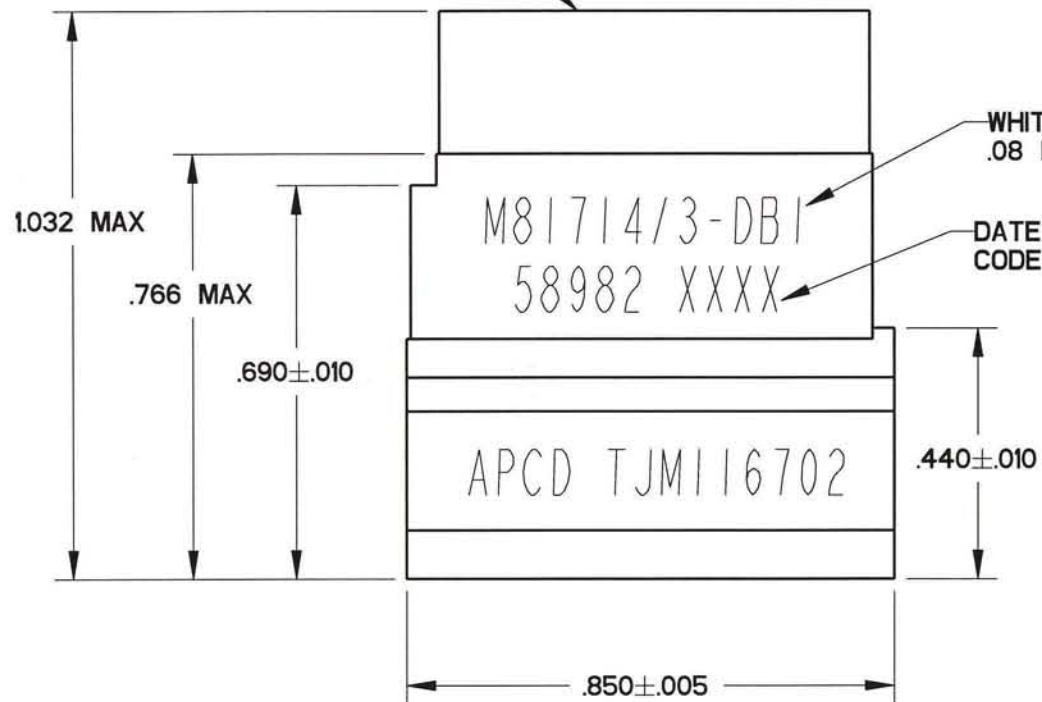


TJM116602

REV	ECN	APP'D
P	2451	JR 08/15/95
Q	5569	JT 1/4/05
R	5748	JT 12/2/05



GROMMET



NOTES

- PERFORMANCE:
 - A) MEETS PERFORMANCE AND ENVIRONMENTAL REQUIREMENTS MIL-T-81714. MILITARY QUALIFIED
 - B) MODULES ARE TO BE MOUNTED INTO RACK ASSEMBLY M81714/5 OR /16 OR COMMERCIAL EQUIVALENT.
 - C) DIELECTRIC WITHSTANDING VOLTAGE: 1500 VRMS AT SEA LEVEL, 200 VRMS AT 100,000 FEET.
 - D) OPERATING TEMPERATURE: -65 °C TO 200 °C.
 - E) CURRENT RATING: 13 AMPS
- MATERIALS:
 - A) HOUSING - POLYETHERIMIDE, COLOR: BLACK.
 - B) GROMMET - SILICONE ELASTOMER, COLOR: BLUE.
 - C) INTERNAL CONTACTS - COPPER ALLOY, GOLD PLATED.
 - D) CONTACT RETAINERS - STAINLESS STEEL.

APCD P/N	SUPPLIED		MARKING	
	PINS	PLUGS	APCD QPL NO.	MIL NO.
TJM116602	----	----	TJM116702	M81714/3-DB1
TJM116702	9	2		

DIMENSIONS ANSI Y14.5M UNITS: INCHES Pro/E FILE	TOLERANCES .XX ±0.01 .XXX ±0.008 ANGLES ±10°	PROJECTION 	Amphenol Pcd SPECIFICATION DRAWING		TITLE TERMINAL JUNCTION MODULE SZ-16 FEEDBACK, B1 BUS		
			ENGR S. STONE 12/28/04	CHKD	SIZE B	DWG NO. TJM116602	REV R
ORIGINAL 	THIS DOCUMENT CONTAINS PROPRIETARY INFORMATION WHICH IS THE CONFIDENTIAL PROPERTY OF AMPHENOL PCD INC., PEABODY, MA		APPD J. RUTKOWSKI 08/15/95	CODE: 58982	SCALE: 3:1	SHEET 1 OF 1	

TJM116602

TJM116602